

Check valves brass EA units CC 55.1 and CC

Now deliverable in
DN 25 with 28 mm
compression fitting



EA

The fully integrated EA check valve unit CC 55.1 has been developed in accordance with the European standard EN1717 and European product standard EN13959. It can be used anywhere, according to national legislation (extracted from the European standard EN1717), where an EA check valve must

be applied. The devices CC and CC 55.1 are easily installed, offer on-site quick and adequate verification of the check valve function and easy cleaning and replacement of the check valve cartridge. All leading to considerable cost and time savings.

 **WATTS**[®]
INDUSTRIES

A Division of Watts Water Technologies Inc.



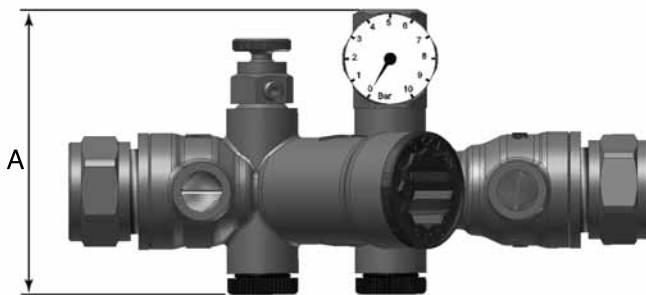
The Watts brass controllable check valve CC 55.1 is a fully integrated EA check valve unit with special features, focussed on easy verification and time savings.

Exchanging or cleaning a dirty or damaged check valve cartridge is now a matter of simple handling. For the DN 15 en DN 20 besides the isolation valve on the inlet side, a pressure gauge and a drain valve, a second isolation valve has been integrated into the outlet side. It prevents the drinking water installation downstream the CC 55.1 from draining during maintenance and replacement.

The DN 25 with a 28 mm compression fitting has been developed specially for installation in front of a fire reel. There is already an isolation valve in front of the fire reel. For this reason the CC 55.1 DN 25 has only been given an isolation valve at the upstream side. Depending on your application, you might also order the basic model CC, a brass check valve without pressure gauge and drain valve.

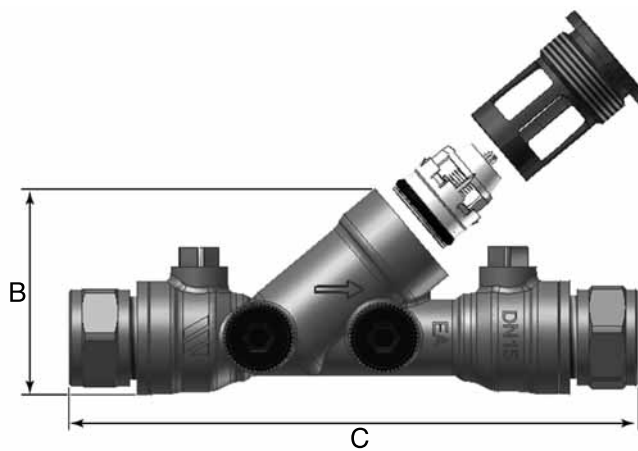
Standards
The CC 55.1 was developed in conformance with EN1717.

Installation guidelines
Install the CC 55.1 in conformance with your national installation guidelines.



Features of this check valve unit

- Easy installation.
- Quick verification.
- Easy cleaning.
- Exchanging the polymer check valve cartridge without draining the sanitary installation downstream of the CC check valve.
- With a standard Watts polymer check valve of the IO type, with national approvals throughout the whole of Europe.



Dimensions

	A	B	C
CC 55.1 DN 15	65	60	140
CC 55.1 DN 20	70	65	160
CC 55.1 DN 25	75	78	155

Material specifications

Body	Brass
Check valve	Polymer
Check valve seal	Rubber
Bleeding valve	Brass
Ball valve	Stainless Steel
Pressure gauge	Brass

Technical specifications

Operating pressure	PN 10
Nom. operating temp.	65 °C
Peak temp.	90 °C during 1 hour/day (Gauge: max. 70 °C)
Nominal diameter	DN 15 - DN 20 - DN 25
Connections	15 mm - 22 mm - 28 mm Compression fittings

Article number	Type	DN	fittings
228015200	CC 55.1	15	15 mm Compression fittings
228020200	CC 55.1	20	22 mm Compression fittings
228025200	CC 55.1	25	28 mm Compression fittings
228015201	CC	15	15 mm Compression fittings
228020201	CC	20	22 mm Compression fittings
228025201	CC	25	28 mm Compression fittings

Approvals

Kiwa

The photographs and descriptions in this brochure are purely informative and in no way binding. Watts Industries reserves the right to make any technical or exterior changes to their products deemed necessary, without prior notification.