

WATTS CLASSIC Series

Electronic actuator

Technical Data Sheet



Description

The actuator **WATTS CLASSIC Series** is designed to be used with rotary mixing valves in the systems where the temperature regulation of the heat transferring fluid is required. The actuator is easy to install, automatic and manual operating modes of work.

WATTS CLASSIC



3-point actuator for rotary mixing or zone valves.
 Rotation angle of 90° in 120 seconds, automatic or manual operating.
 Torque: 6.0 Nm.
 Power supply: 230 VAC 50 Hz.
 Power consumption: 5 VA.
 Control signal: 3-point.
 Electrical protection: IP41.

Type	Part No.	Description	Weight (Kg)
WATTS CLASSIC	10050526	230VAC, 3-POINTS	0,387

Technical features

Control signal	3-points
Rotating angle	90°
Running time	120 seconds ± 5%
Nominal torque	6 Nm
Power supply	230 VAC ±10%
Frequency	50 Hz
Power consumption	5 VA
Protection class	IP41
Electrical Protection class	Class II
Operating temperature	-5÷55 °C
Plastic case	ABS
Other plastic components	Polimer glass fiber

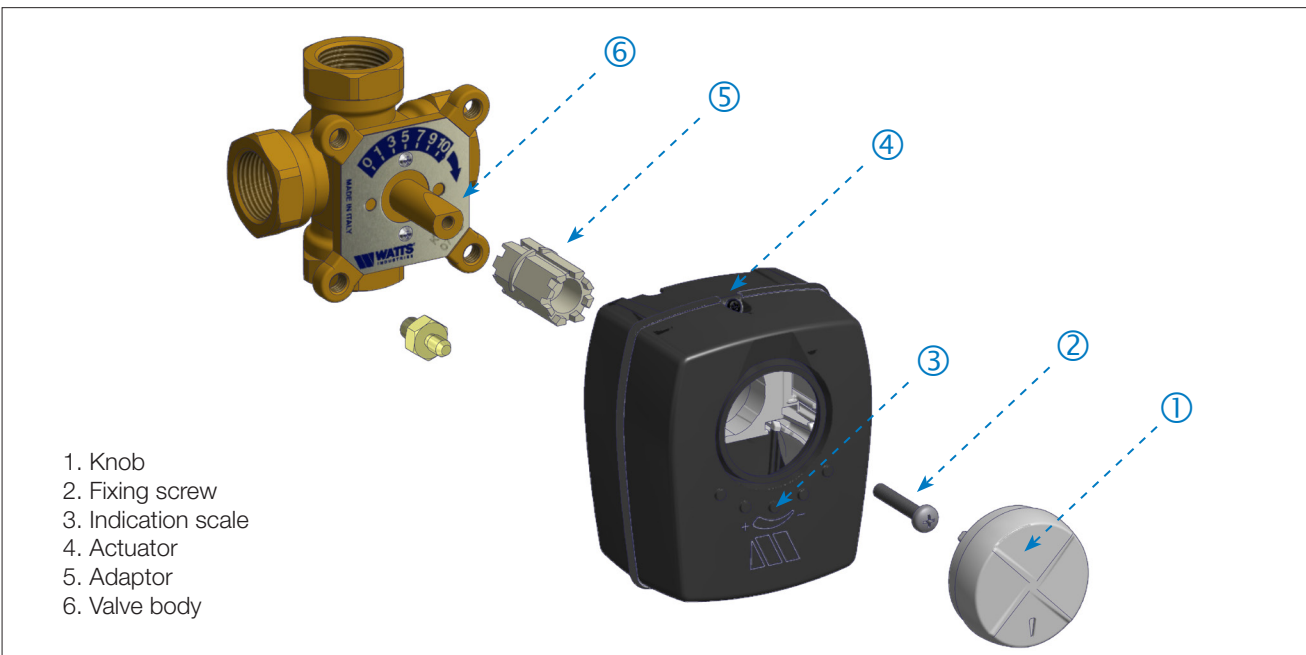
Operation

Automatic operating

When the voltage is applied between blue and brown cable, the actuator shaft rotates clockwise and it automatically stops at the end of the working stroke. When the voltage is applied between blue and black cable, the actuator shaft rotates counter-clockwise and it automatically stops at the end of the working stroke. When the voltage is not applied, the actuator shaft remains in its position.

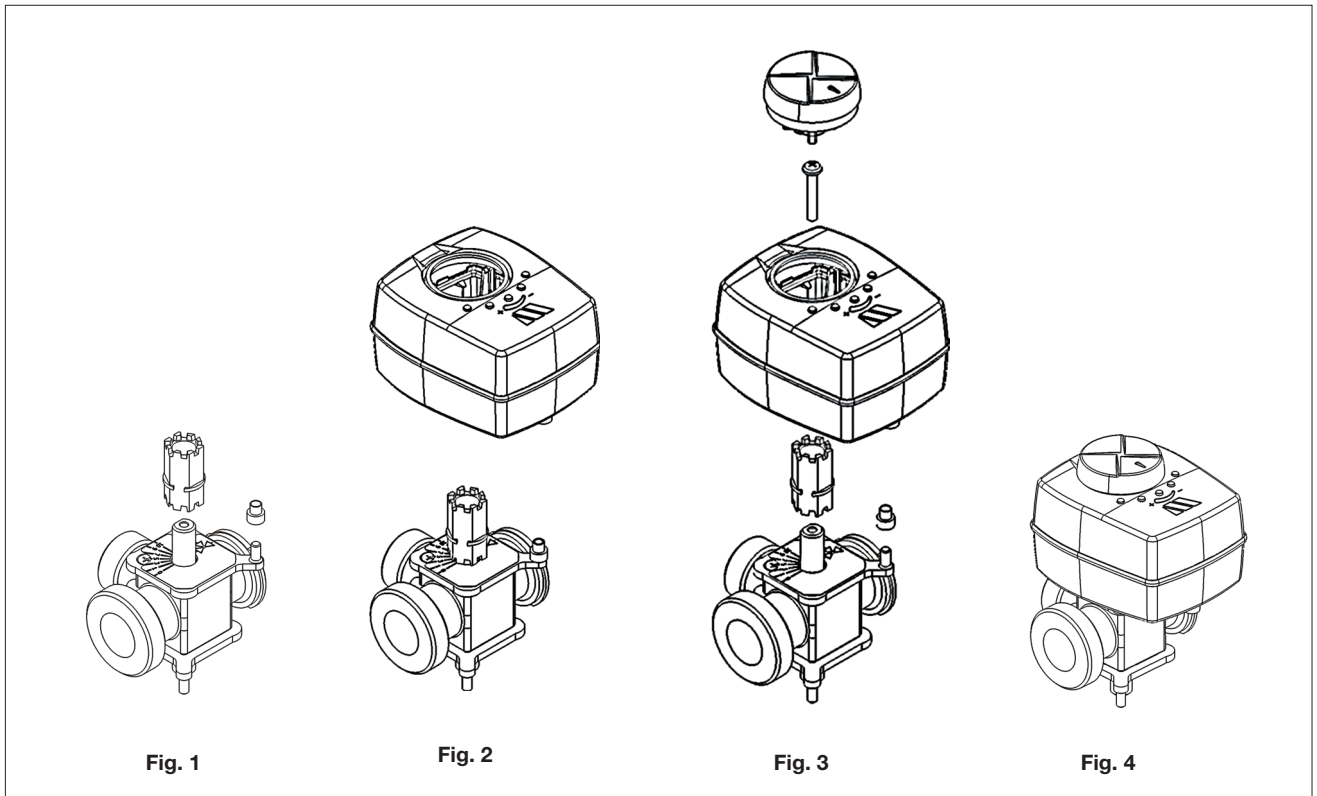
Manual operating

By extracting one step the knob, the gearbox is by-passed and the actuator shaft can be directly moved rotating the knob by hand.

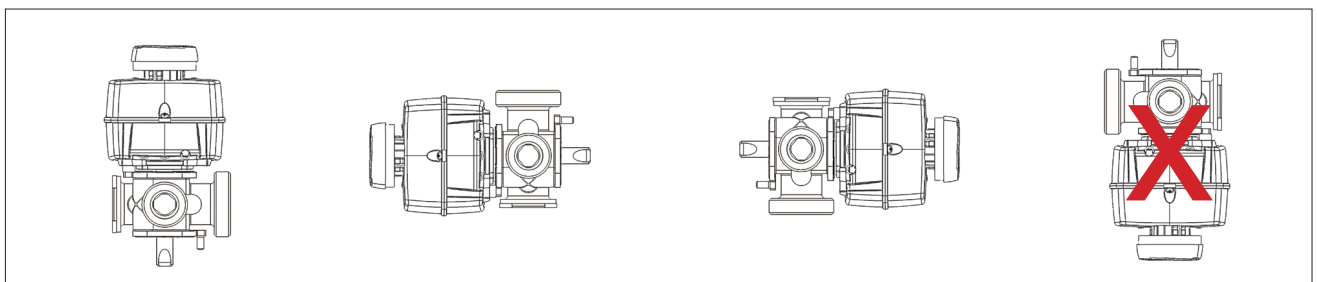


Installation

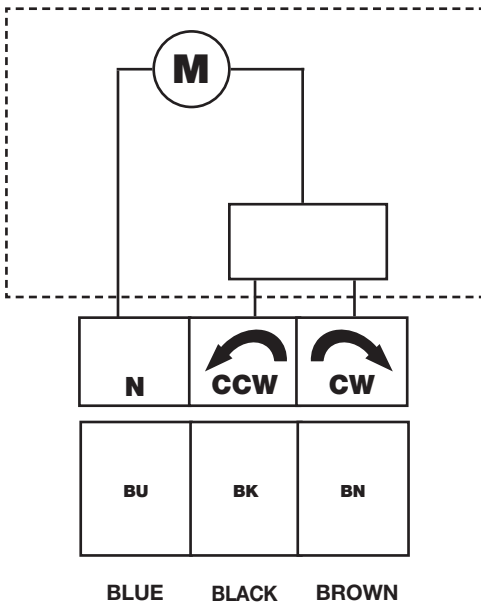
1. Remove the knob
2. Place the adapter between the valve shaft and the actuator shaft (fig.1).
3. Mount the actuator ensuring the valve and actuator fixing points correspond (fig.2).
4. Fix the screw (torque 2 Nm) and install the knob (fig.3).



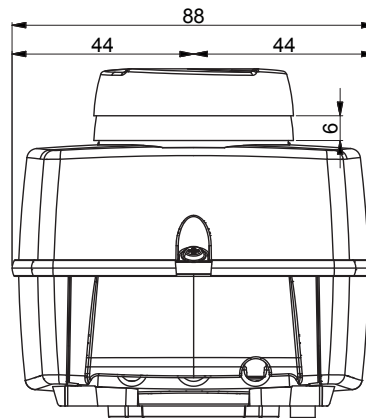
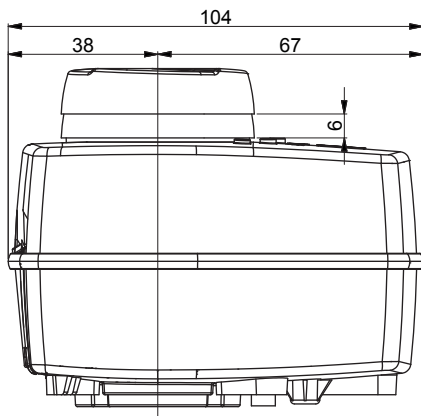
The actuator **WATTS CLASSIC Series** can be installed in any orientation respect to the valve and in any position except under the valve.



Electric diagram



Overall dimensions (mm)



Specification text

WATTS CLASSIC Series

3-point Bidirectional Modular Actuator **WATTS CLASSIC Series** brand WATTS for Mixing Valves or Rotor Zone valves. Rotation angle 90 ° in 120 seconds, automatic and manual operation. Torque 6 Nm. Power supply 230 Vac 50 Hz. Power Consumption 5 VA. Three-point control signal and IP41 protection class.

The descriptions and photographs contained in this product specification sheet are supplied by way of information only and are not binding.

Watts Industries reserves the right to carry out any technical and design improvements to its products without prior notice. Warranty: All sales and contracts for sale are expressly conditioned on the buyer's assent to Watts terms and conditions found on its website at www.wattsindustries.com. Watts hereby objects to any term, different from or additional to

Watts terms, contained in any buyer communication in any form, unless agreed to in a writing signed by an officer of Watts.

WATTS®

Watts Industries Italia S.r.l.

Via Brenno, 21 • 20853 Biassono (MB) • Italy

Tel. +39 039 4986.1 • Fax +39 039 4986.222

infowattsitatia@wattswater.com • www.wattsindustries.com