

# REDUBLOC 3.1

Pressure reducing valve

## Technical Data Sheet



## Description

Redubloc 3.1 is a single device intended for water connection, combining 3 functions in 1 body :

- 1 - Isolating Valve
- 2 - Pressure Reducing Valve
- 3 - Approved controllable check valve

It is equipped with pressure gauge connection on the front to allow the checking of the non-return function.

Redubloc 3.1 has many advantages :

- Easy mounting
- Competitive price
- Reduced weight and dimension
- 3 times less time to install
- Simple construction ensuring reliability and longevity



### REDUBLOC 3.1

Pressure reducing valve

DN and Connection.	PFA in bar	PS in bar L1	Ref.	Weight Kg
Upstream : Female 3/4" union free nut Downstream : Male 3/4" and Female 1/2"	15	15	<b>2282900</b>	0,28
Upstream : Female 3/4" union free nut Downstream : Male 3/4" and Female 1/2" with gauge	15	15	<b>2282901</b>	0,33

#### Important notice :

The temperature and pressure indications given are under no circumstances a guarantee that they are suitable for your system. Therefore, it is essential to validate the use of the products under given operating conditions with our technical department.

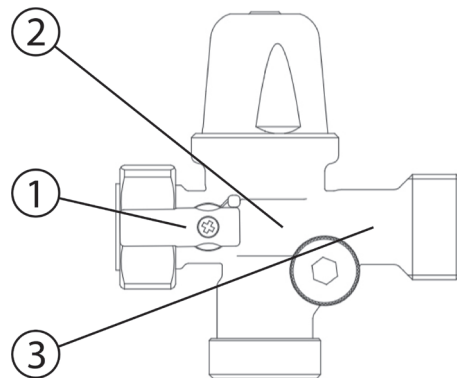
#### Technical features

Operating temperature	In permanent service : 30 °C / Maxi. : 70°C*
Permissible operating pressure (PFA) in water	15 bar
Gauge connection	Female 1/4"
Setting range	1,5 to 4 bar. Factory pre-set at 3 bar
Mediums	Drinking water

\*Risk of scaling if used In permanent service at 70°C.

#### Nomenclature and materials

N°	Description	Materials	EURO
1	Isolating Valve		
2	Pressure reducing valve	Brass	CW602N
3	Antipollution check valve	Hostaform	Hostaform



## Approvals

---

**ACS**, (Antipollution check valve EB built-in NF)

## Application

---

REDUBLOC 3.1 is a device destined for cold water (or hot water) supply for apartments, individual homes, hotel rooms, bathrooms or kitchens.

It is fitted at the network entry, it protects all the installation from overpressure problems: noise in pipes, hammering, splashes, premature wear of any household appliances and plumbings.

## Installation

---

The REDUBLOC 3.1 functions in horizontal and vertical position (rising fluid), but we recommend an assembling with an upwards setting screw in order to avoid the deposit of impurities. Connection : Upstream : Female union free nut 3/4" - Downstream : Double threading M 3/4" - F 1/2" (solving the technical constraints on site).

The pressure reducing valve protects the installation against excessive pressure, the check valve ensures the sanitary conformity of the connecting. Its installation is very rapid, it is fitted directly after the water meter, with its union nut F 3/4".

## Operation

---

### Flow :

During water flow, water pressure exercised on the diaphragm decreases, which allows the spring to relax. The piston disc-yoke assembly moves towards the bottom to allow the water to pass.

### Flow stoppage :

When water flow stops, the downstream pressure pushes on the diaphragm again, the spring goes back to its initial position, which leads to the valve closing, stopping water from flowing freely.

## Setting

---

The adjustment must be done without flow ie no downstream outflow. The REDUBLOC pressure reducing valves is factory pre-set at 3 bar.

They remain adjustable within a 1,5 bar to 4 bar range.

To increase the pressure, tighten the adjusting screw (clockwise as you look at the screw from above). To reduce the pressure, undo the adjusting screw (anticlockwise as you look at the screw from above), slightly open a tap for a moment, close again, then tighten the screw again until you obtain a desired pressure.

Max. upstream pressure : 15 bar.

## Maintenance

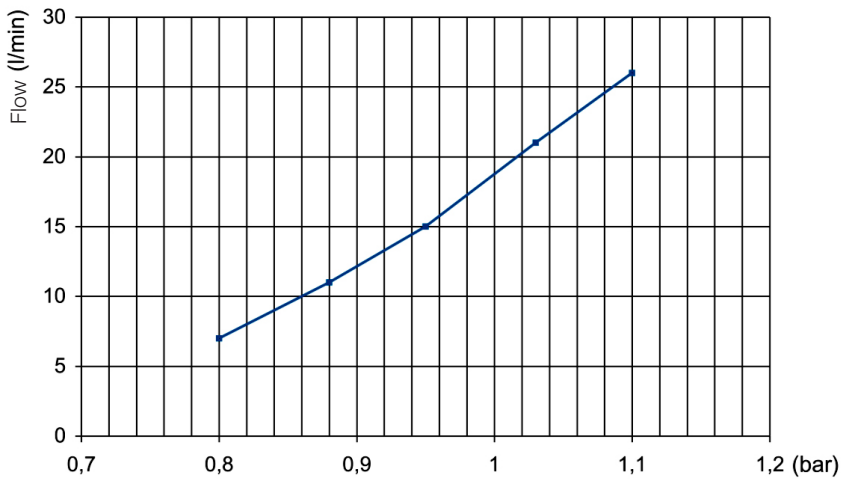
---

Due to the design, the REDUBLOC pressure reducing valves is not affected by scale or dirt and does not need any maintenance if is by a professional.

Diaphragm, spring, seat, valve are largely dimensioned to allow precise and constant adjustment all allowing a high flow.

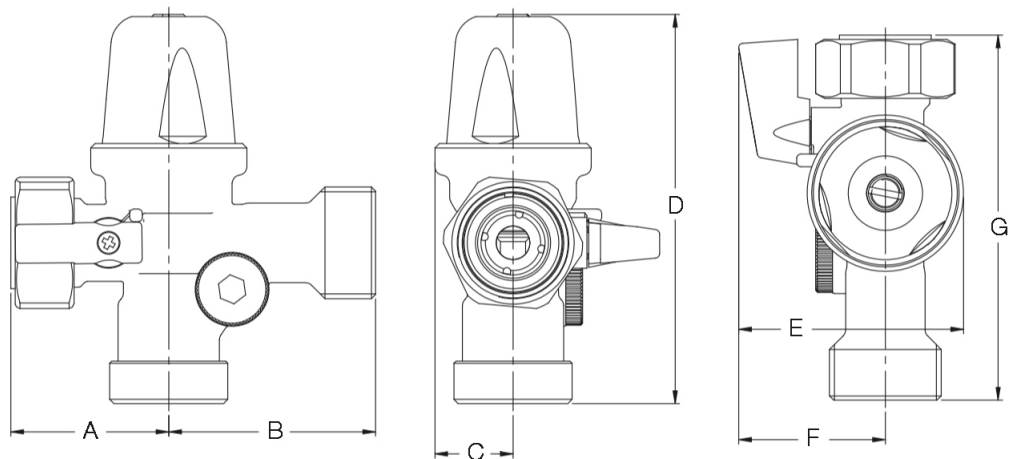
# Operating characteristics

**REDUBLOC** - Headloss chart



# Sizing

Designation	A	B	C	D	E	F	G
	mm	mm	mm	mm	mm	mm	mm
Redubloc	37,5	49	18,5	95 (Maxi)	53,5	35	86,5



The descriptions and photographs contained in this product specification sheet are supplied by way of information only and are not binding. Watts reserves the right to carry out any technical and design improvements to its products without prior notice. Warranty : All sales and contracts for sale are expressly conditioned on the buyer's assent to Watts terms and conditions found on its website at [www.watts.com](http://www.watts.com). Watts hereby objects to any term, different from or additional to Socla terms, contained in any buyer communication in any form, unless agreed to in a writing signed by an officer of Watts.



**WATTS INDUSTRIES France**

1590 avenue d'Orange • CS 10101 Sorgues 84275 VEDENE CEDEX • France  
 Tel. +33 (0)4 90 33 28 28 • Fax +33 (0)4 90 33 28 39  
[contact@wattswater.com](mailto:contact@wattswater.com) • [www.wattswater.eu](http://www.wattswater.eu)