

M3A-ABS/FE+R

Bourdon tube pressure gauges

Technical Data Sheet



Description

Dry plastic case centre back entry red adjustable pointer on window. For heating industry, gases and liquids not viscous, not aggressive and not crystallizing.



M3A-ABS 50 / FE + R

DN50 pressure gauges.

| Part No | Pressure Range | Connection | Options* | Box/Master | Min. order |
|---------------|----------------|------------|-------------|------------|------------|
| | -1/0 bar | G1/4B | | 100/100 | 100 |
| | 0-1 bar | G1/4B | | 100/100 | 100 |
| | 0-1.6 bar | G1/4B | | 100/100 | 100 |
| | 0-2.5 bar | G1/4B | | 100/100 | 100 |
| PZFEB2204BB16 | 0-4 bar | G1/4B | R+LW+QINAIL | 100/100 | 100 |
| PZFEB2206BB10 | 0-6 bar | G1/4B | R+LW+QINAIL | 100/100 | 100 |
| PZFEB2210BB09 | 0-10 bar | G1/4B | R+LW+QINAIL | 100/100 | 100 |
| PZFEB2216BB04 | 0-16 bar | G1/4B | R+LW+QINAIL | 100/100 | 100 |
| PZFEB2225BB00 | 0-25 bar | G1/4B | R+LW+QINAIL | 100/100 | 100 |



M3A-ABS 50 / FE + R

DN63 pressure gauges.

| Part No | Pressure Range | Connection | Options* | Box/Master | Min. order |
|-------------|----------------|------------|-------------|------------|------------|
| | -1/0 bar | G1/4B | | 100/100 | 100 |
| | 0-1 bar | G1/4B | | 100/100 | 100 |
| | 0-1.6 bar | G1/4B | | 100/100 | 100 |
| ZFE3203BB00 | 0-2.5 bar | G1/4B | R+LW+QINAIL | 100/100 | 100 |
| ZFE3204BB06 | 0-4 bar | G1/4B | R+LW+QINAIL | 100/100 | 100 |
| ZFE3206BB06 | 0-6 bar | G1/4B | R+LW+QINAIL | 100/100 | 100 |
| ZFE3210BB05 | 0-10 bar | G1/4B | R+LW+QINAIL | 100/100 | 100 |
| ZFE3216BB07 | 0-16 bar | G1/4B | R+LW+QINAIL | 100/100 | 100 |
| ZFE3225BB00 | 0-25 bar | G1/4B | R+LW+QINAIL | 100/100 | 100 |
| ZFE3240BB00 | 0-40 bar | G1/4B | R+LW+QINAIL | 100/100 | 100 |


*Options included

R = Red pointer on window

QINAIL = Dial according to INAIL standards (ex ISPEL)

LW = Watts logo on the dial

Customization per minimum order quantity

| Customizations | | Model |
|--|--|----------------------|
| V - Adjustable red mark pointer with green sector |  | M3A-ABS 50/63 FE + V |
| Customized dials, other scale ranges or connections on request | | M3A-ABS 50/63 FE + V |

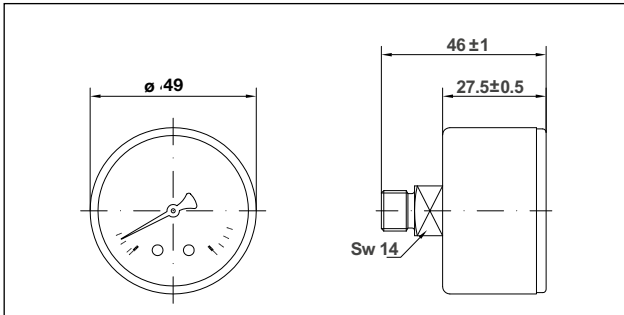
Features

| Materials | |
|---------------------|--|
| Case | Black plastic |
| Window | Clear plastic with printed red mark pointer |
| Dial | Aluminium |
| Pointer | Aluminium - red plastic |
| Pressure connection | Cu-alloy, 14 mm flats |
| Pressure element | Bourdon tube Cu-alloy, soft soldered ≤ 60 bar C-type, > 60 bar helical type Sn-Ag soldered |
| Movement | Cu-alloy |

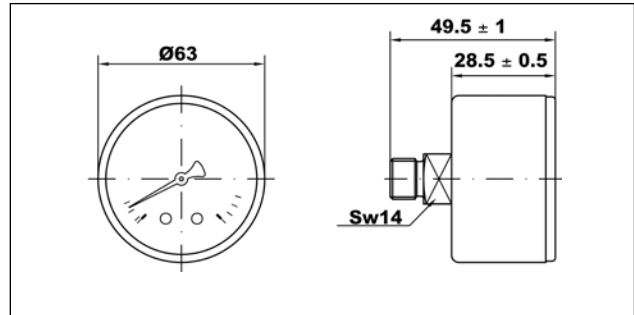
| Technical features | |
|----------------------|---|
| Design | EN 837-1 - INAIL (ex ISPESL) |
| Working pressure | Steady: 75 % of full scale value Fluctuating: 60 % of full scale value Short time: full scale value |
| Temperature limits | Ambient: -40 ... +60 °C Medium: +60 °C maximum Storage: -40 ... +60 °C |
| Temperature effect | Deviation from reference temperature (+20°C): ±0,04%/1K of the span |
| Accuracy class | Cl 2.5 |
| Degree of protection | IP 31 per EN 60 529 / IEC 529 |
| Peso individuale: | |
| M3A-ABS 50/R | 0.086 kg |
| M3A-ABS 63/R | 0.094 kg |

Overall dimensions (mm)

M3A-ABS 50 / FE + R



M3A-ABS 63/ FE + R



Specification text

Bourdon tube pressure gauges **M3A-ABS/FE/R Series** - WATTS brand - for heating industry, gases and liquids not viscous, not aggressive and not crystallising. Dry **plastic case** DN 50-63 mm **centre back entry red adjustable pointer on window**. Vacuum measures range -1/0 at high pressure up to 400 bar. Temperature limits + 60°C. Accuracy class 2.5. **Compliant with EN 837-1.**

Conformity with the requirements of INAIL (ex ISPEL) - Raccolta R, appliance to the Italian decree D.M.1.12.1975.

The descriptions and photographs contained in this product specification sheet are supplied by way of information only and are not binding.

Watts Industries reserves the right to carry out any technical and design improvements to its products without prior notice. Warranty: All sales and contracts for sale are expressly conditioned on the buyer's assent to Watts terms and conditions found on its website at www.wattswater.eu. Watts hereby objects to any term, different from or additional to Watts terms, contained in any buyer communication in any form, unless agreed to in a writing signed by an officer of Watts.

WATTS®



Watts Industries Italia S.r.l.

Via Brenno, 21 • 20853 Biassono (MB) • Italy
Tel. +39 039 4986.1 • Fax +39 039 4986.222
infowattsitatia@wattswater.com • www.watts.com