

M3A-ABS/FE

Bourdon tube pressure gauges

Technical Data Sheet



Description

Dry plastic case centre back entry. For industry, gases and liquids not viscous, not aggressive and not crystallising.



M3A-ABS 40/FE

DN40 pressure gauges.

Part No	Pressure Range	Connection	Options*	Box/Master	Min. order
PZFEB119917LF	-1/0 bar/inHg	R1/8	D+LW+QEN	200/10	10
PZFEB110117LF	0-1 bar/psi	R1/8	D+LW+QEN	200/10	10
PZFEB110217LF	0-1.6 bar/psi	R1/8	D+LW+QEN	200/10	10
PZFEB120317LF	0-2.5 bar/psi	R1/8	D+LW+QEN	200/10	10
PZFEB120417LF	0-4 bar/psi	R1/8	D+LW+QEN	200/10	10
PZFEB120617LF	0-6 bar/psi	R1/8	D+LW+QEN	200/10	10
PZFEB121017LF	0-10 bar/psi	R1/8	D+LW+QEN	200/10	10
PZFEB121217LF	0-12 bar/psi	R1/8	D+LW+QEN	200/10	10
PZFEB121617LF	0-16 bar/psi	R1/8	D+LW+QEN	200/10	10
PZFEB122017LF	0-20 bar/psi	R1/8	D+LW+QEN	200/10	10
	0-25 bar/psi	R1/8		200/200	200
	0-40 bar/psi	R1/8		200/200	200



M3A-ABS 50/FE

DN50 pressure gauges.

Part No	Pressure Range	Connection	Options*	Box/Master	Min. order
PZFEB219917LF	-1/0 bar/inHg	R1/8	D+LW+QEN	100/10	10
PZFEB210117LF	0-1 bar/psi	R1/8	D+LW+QEN	100/10	10
PZFEB210217LF	0-1.6 bar/psi	R1/8	D+LW+QEN	100/10	10
PZFEB220317LF	0-2.5 bar/psi	R1/8	D+LW+QEN	100/10	10
PZFEB220417LF	0-4 bar/psi	R1/8	D+LW+QEN	100/10	10
PZFEB220617LF	0-6 bar/psi	R1/8	D+LW+QEN	100/10	10
PZFEB221017LF	0-10 bar/psi	R1/8	D+LW+QEN	100/10	10
PZFEB221217LF	0-12 bar/psi	R1/8	D+LW+QEN	100/10	10
PZFEB221617LF	0-16 bar/psi	R1/8	D+LW+QEN	100/10	10
PZFEB222017LF	0-20 bar/psi	R1/8	D+LW+QEN	100/10	10
	0-25 bar/psi	R1/8		100/100	100
	0-40 bar/psi	R1/8		100/100	100
PZFEB220318LF	0-2.5 bar/psi	R1/4	D+LW+QEN	100/10	10
PZFEB220418LF	0-4 bar/psi	R1/4	D+LW+QEN	100/10	10
PZFEB220618LF	0-6 bar/psi	R1/4	D+LW+QEN	100/10	10
PZFEB221018LF	0-10 bar/psi	R1/4	D+LW+QEN	100/10	10
PZFEB221218LF	0-12 bar/psi	R1/4	D+LW+QEN	100/10	10
PZFEB221618LF	0-16 bar/psi	R1/4	D+LW+QEN	100/10	10
	0-20 bar/psi	R1/4		100/100	100
PZFEB222518LF	0-25 bar/psi	R1/4	D+LW+QEN	100/10	10



M3A-ABS 63/FE

DN63 pressure gauges.

Part No	Pressure Range	Connection	Options*	Box/Master	Min. order
PZFEB319918LF	-1/0 bar/inHg	R1/4	D+LW+QEN	100/100	100
PZFEB310118LF	0-1 bar/psi	R1/4	D+LW+QEN	100/100	100
	0-1.6 bar/psi	R1/4	D	100/100	100
PZFEB320318LF	0-2.5 bar/psi	R1/4	D+LW+QEN	100/100	100
PZFEB320418LF	0-4 bar/psi	R1/4	D+LW+QEN	100/100	100
PZFEB320618LF	0-6 bar/psi	R1/4	D+LW+QEN	100/100	100
PZFEB321018LF	0-10 bar/psi	R1/4	D+LW+QEN	100/100	100
PZFEB321218LF	0-12 bar/psi	R1/4	D+LW+QEN	100/100	100
PZFEB321618LF	0-16 bar/psi	R1/4	D+LW+QEN	100/100	100
PZFEB322018LF	0-20 bar/psi	R1/4	D+LW+QEN	100/100	100
PZFEB3225DF00	0-25 bar/psi	R1/4	D+LW+QEN	100/100	100
	0-40 bar/psi	R1/4		100/100	100

*Options included

D = Dual scale bar/psi (black/red)

LW = Watts logo on the dial

QEN = Dial according to EN 837-1

Customization per minimum order quantity

Customizations	Model
Customized dials, other scale ranges or connections on request	M3A-ABS 40/50/63 FE

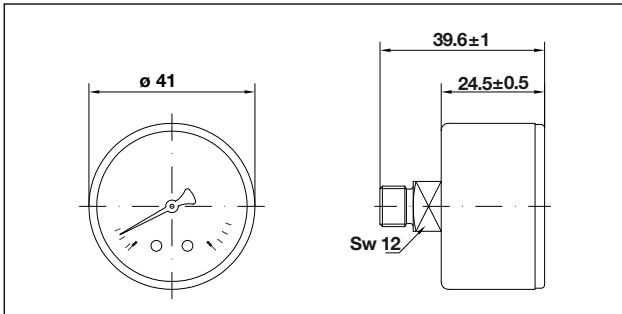
Features

Materials	
Case	Black plastic
Window	Clear plastic
Dial	Aluminium
Pointer	Aluminium
Pressure connection	Cu-alloy, 12 mm flats (DN 40) - 14 mm flats (\geq DN 50)
Pressure element	Bourdon tube Cu-alloy, soft soldered \leq 60 bar C-type, > 60 bar helical type Sn-Ag soldered
Movement	Cu-alloy

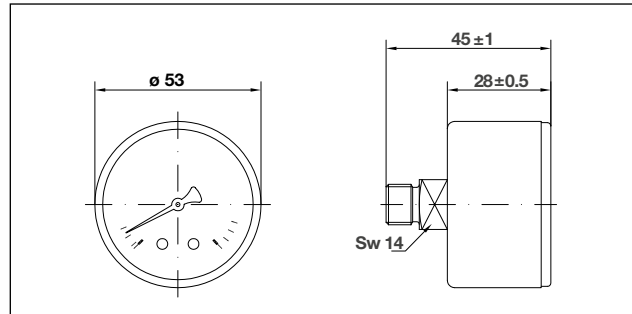
Technical features	
Design	EN 837-1
Working pressure	Steady: 75 % of full scale value Fluctuating: 60 % of full scale value Short time: full scale value
Temperature limits	Ambient: -40 ... +60 °C Medium: +60 °C maximum Storage: -40 ... +60 °C
Temperature effect	Deviation from reference temperature (+20°C): $\pm 0,04\%/1K$ of the span
Accuracy class	Cl 2.5
Degree of protection	IP 31 per EN 60 529 / IEC 529
Individual weight:	
M3A-ABS 40	0.048 kg
M3A-ABS 50	0.089 kg
M3A-ABS 63	0.094 kg

Overall dimensions (mm)

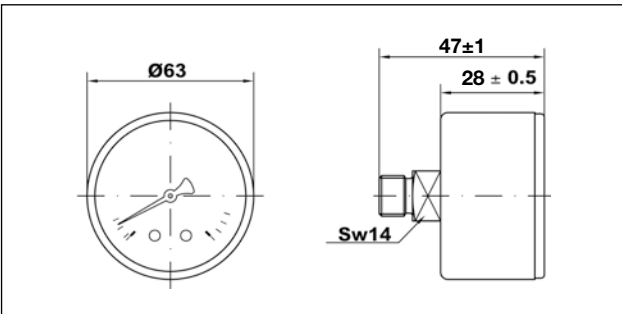
M3A-ABS 40/FE



M3A-ABS 50/FE



M3A-ABS 63/FE



Specification text

Bourdon tube pressure gauges, **M3A-ABS/FE Series**, WATTS brand, for industry, gases and liquids not viscous, not aggressive and not crystallising. **Dry plastic case** DN 40-50-63 mm **centre back entry**. Vacuum measures range -1/0 at high pressure up to 400 bar. Temperature limits + 60°C. Accuracy class 2.5.

Compliant with EN 837-1.

The descriptions and photographs contained in this product specification sheet are supplied by way of information only and are not binding.

Watts Industries reserves the right to carry out any technical and design improvements to its products without prior notice. Warranty: All sales and contracts for sale are expressly conditioned on the buyer's assent to Watts terms and conditions found on its website at www.wattswater.eu. Watts hereby objects to any term, different from or additional to Watts terms, contained in any buyer communication in any form, unless agreed to in a writing signed by an officer of Watts.

WATTS®



Watts Industries Italia S.r.l.

Via Brenno, 21 • 20853 Biassono (MB) • Italy
Tel. +39 039 4986.1 • Fax +39 039 4986.222
infowattitalia@wattswater.com • www.watts.com