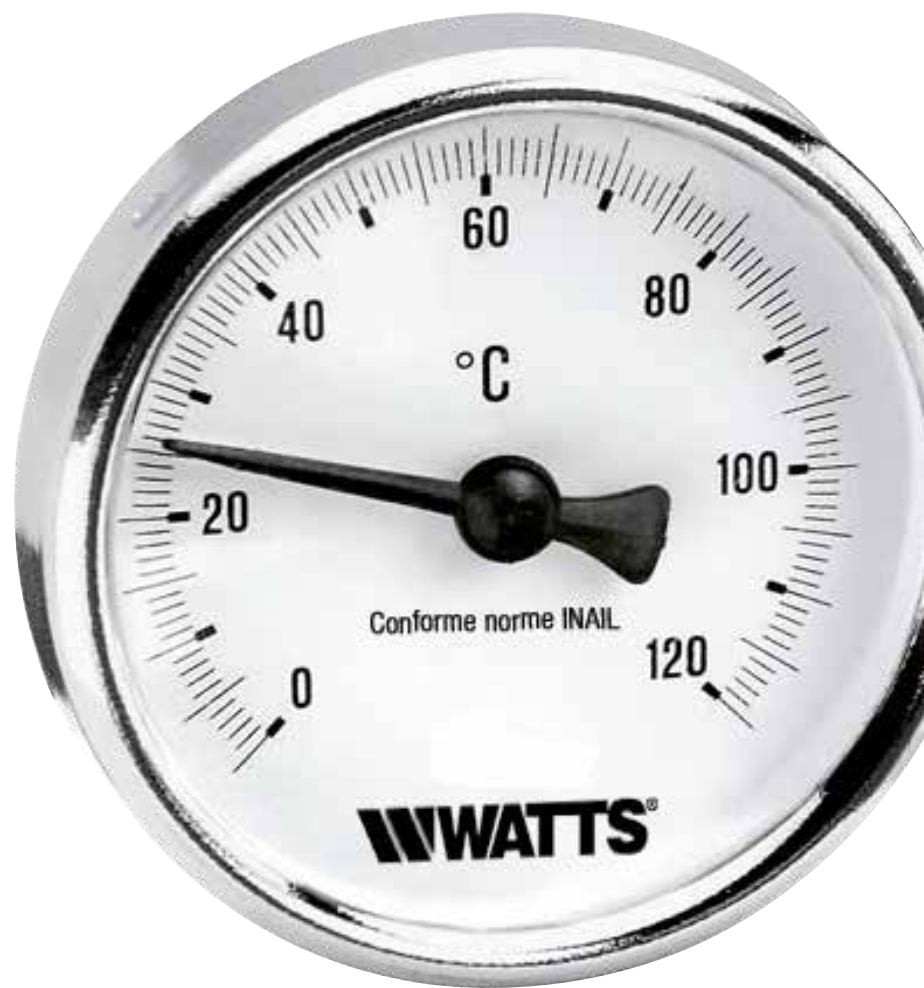


TB-ABS/ORT

Bimetal thermometers

Technical Data Sheet

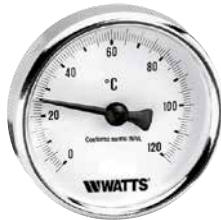


Description

Polycarbonate case with chrome-plated bezel ring centre back entry. For domestic and industrial heating, gases and liquids not viscous, not aggressive and not crystallising.

TB-ABS 63/ORT

DN63 thermometers.



Part No	Stem (mm)	Scale Range	Convec.	Options*	Box/ Master	Min. order
PT30987001	50	-30+50 °C	G1/2B	G+LW	100/10	10
PT30447011	50	0-60 °C	G1/2B	G+LW	100/10	10
PT30457001	50	0-80 °C	G1/2B	G+LW	100/10	10
PT30507068	50	0-120 °C	G1/2B	G+LW+QINAIL	100/10	10
PT31987004	100	-30+50 °C	G1/2B	G+LW	60/12	12
PT31447003	100	0-60 °C	G1/2B	G+LW	60/12	12
PT31457000	100	0-80 °C	G1/2B	G+LW	60/12	12
PT31507012	100	0-120 °C	G1/2B	G+LW+QINAIL	60/12	12

TB-ABS 80/ORT

DN80 thermometers.



Part No	Stem (mm)	Scale Range	Convec.	Options*	Box/ Master	Min. order
PT40987014	50	-30+50 °C	G1/2B	G+LW	80/10	10
PT40447007	50	0-60 °C	G1/2B	G+LW	80/10	10
PT40457001	50	0-80 °C	G1/2B	G+LW	80/10	10
PT405070D4	50	0-120 °C	G1/2B	G+LW+QINAIL	80/10	10
PT41987010	100	-30+50 °C	G1/2B	G+LW	48/12	12
PT41447004	100	0-60 °C	G1/2B	G+LW	48/12	12
PT41457002	100	0-80 °C	G1/2B	G+LW	48/12	12
PT41507047	100	0-120 °C	G1/2B	G+LW+QINAIL	48/12	12

*Options included

G = Complete with brass pocket o-ring fixing.

LW = Watts logo on the Dial

QINAIL = Dial according to INAIL standards

Customizations per minimum order quantity

Customizations	Model
Customized dials, other scale ranges	TB-ABS 63-80/ORT

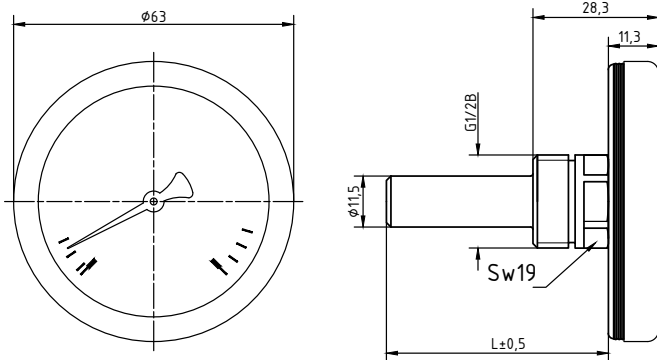
Features

Materials	TB-ABS 63/ORT TB-ABS 80/ORT
Case	Polycarbonate
Bezel ring	Chrome-plated steel
Window	Clear plastic
Dial	White plastic
Pointer	Black plastic
Stem	Zinc-plated steel Ø 9 mm
Temperature element	Bimetal, Spiralled
Pocket	Brass 19 mm flats with o-ring fixing

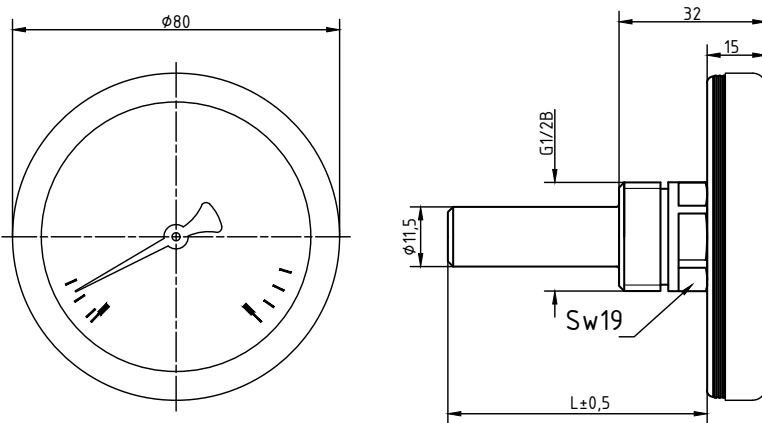
Technical features	
Design	EN 13190
Temperature limits	Ambient: -20 ... +60 °C Medium: as per scale indication Storage: -20 ... +60 °C
Operating temperature	As per scale indication
Temperature effect	Not applicable
Accuracy class	cl. 2
Degree of protection	IP 65 per EN 60 529/IEC 529
Individual weight:	
TB-ABS 63/ORT	0.100 kg
TB-ABS 80/ORT	0.140 kg

Overall dimensions (mm)

TB-ABS 63/ORT



TB-ABS 80/ORT



Specification text

Bimetal Thermometers **Series TB-ABS/ORT**, Watts brand, for domestic and industrial heating, gases and liquids not viscous, not aggressive and not crystallising. Polycarbonate case DN 63-80 **back connection, with chrome-plated steel bezel ring**. Measures range from 0-60°C up to 120°C/-30+50°C. Zinc-plated stem DN 9, length 50-100 mm. **Complete with brass pocket with o-ring fixing**. Temperature limits as per scale indication. Accuracy class 2.0. EN 13190.

Compliant with EN 13190.

The descriptions and photographs contained in this product specification sheet are supplied by way of information only and are not binding.

Watts Industries reserves the right to carry out any technical and design improvements to its products without prior notice. Warranty: All sales and contracts for sale are expressly conditioned on the buyer's assent to Watts terms and conditions found on its website at www.wattswater.eu. Watts hereby objects to any term, different from or additional to Watts terms, contained in any buyer communication in any form, unless agreed to in a writing signed by an officer of Watts.

WATTS®



Watts Industries Italia S.r.l.

Via Brenno, 21 • 20853 Biassono (MB) • Italy
Tel. +39 039 4986.1 • Fax +39 039 4986.222
infowattsit@wattswater.com • www.watts.com