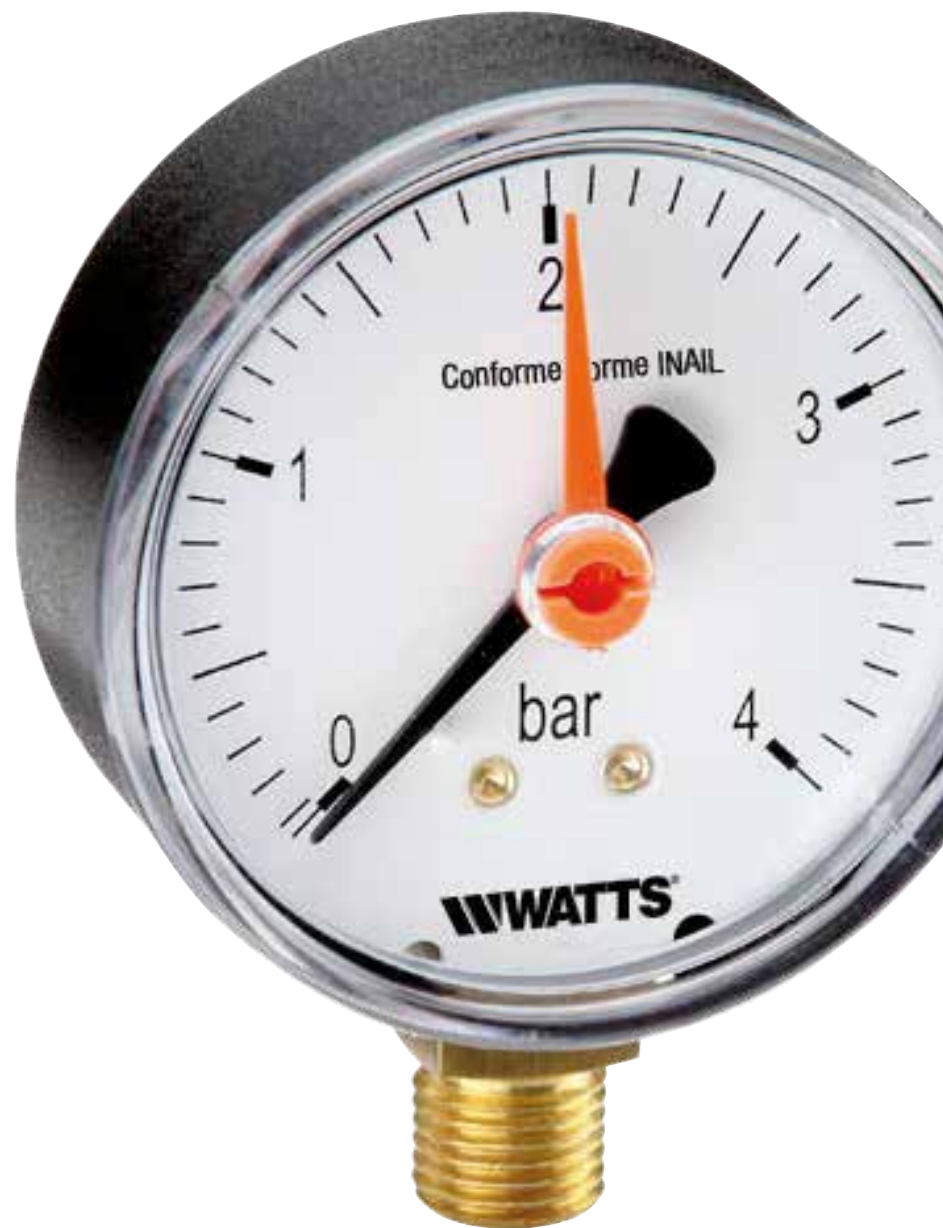


# M1-ABS/FE+R

Bourdon tube pressure gauges

## Technical Data Sheet



## Description

Dry plastic case bottom entry red adjustable pointer on window. For heating industry, gases and liquids not viscous, not aggressive and not crystallising.



### M1-ABS 40 / FE + R

DN40 pressure gauges.

Part No	Pressure Range	Connection	Options*	Box/Master	Min. order
	0-2.5 bar	G1/8B		200/200	200
	0-4 bar	G1/8B		200/200	200
PZFEA120601LF	0-6 bar	G1/8B	R+LW+INAIL	200/200	200
	0-10 bar	G1/8B		200/200	200
	0-16 bar	G1/8B		200/200	200
	0-25 bar	G1/8B		200/200	200
	0-40 bar	G1/8B		200/200	200



### M1-ABS 50 / FE + R

DN50 pressure gauges.

Part No	Pressure Range	Connection	Options*	Box/Master	Min. order
	-1/0 bar	G1/4B		100/100	100
	0-1 bar	G1/4B		100/100	100
	0-1.6 bar	G1/4B		100/100	100
	0-2.5 bar	G1/4B		100/100	100
PZFEA2204BB10	0-4 bar	G1/4B	R+LW+QINAIL	100/10	10
PZFEA2206BB13	0-6 bar	G1/4B	R+LW+QINAIL	100/10	10
PZFEA2210BB12	0-10 bar	G1/4B	R+LW+QINAIL	100/10	10
PZFEA2216BB09	0-16 bar	G1/4B	R+LW+QINAIL	100/10	10
PZFEA2225BB04	0-25 bar	G1/4B	R+LW+QINAIL	100/10	10
	0-40 bar	G1/4B		100/100	100



### M1-ABS 63 / FE + R

DN63 pressure gauges.

Part No	Pressure Range	Connection	Options*	Box/Master	Min. order
	-1/0 bar	G1/4B		100/100	100
PZFEA3101BB02	0-1 bar	G1/4B	R+LW+QINAIL	100/10	10
PZFEA3102BB01	0-1.6 bar	G1/4B	R+LW+QINAIL	100/10	10
PZFEA3203BB02	0-2.5 bar	G1/4B	R+LW+QINAIL	100/10	10
PZFEA3204BB12	0-4 bar	G1/4B	R+LW+QINAIL	100/10	10
PZFEA3206BB13	0-6 bar	G1/4B	R+LW+QINAIL	100/10	10
PZFEA3210BB15	0-10 bar	G1/4B	R+LW+QINAIL	100/10	10
PZFEA3216BB12	0-16 bar	G1/4B	R+LW+QINAIL	100/10	10
PZFEA3225BB01	0-25 bar	G1/4B	R+LW+QINAIL	100/10	10
PZFEA3240BB00	0-40 bar	G1/4B	R+LW+QINAIL	100/10	10

#### \*Options included

R = Red pointer on window

LW = Watts logo on the dial

QINAIL = Dial according to INAIL standards (ex ISPESL)

## Customization per minimum order quantity

Customizations	Model
V - Adjustable red mark pointer with green sector	M1-ABS 50/63 FE+V
Customized dials, other scale ranges or connections on request	M1-ABS 40/50/63 FE+V



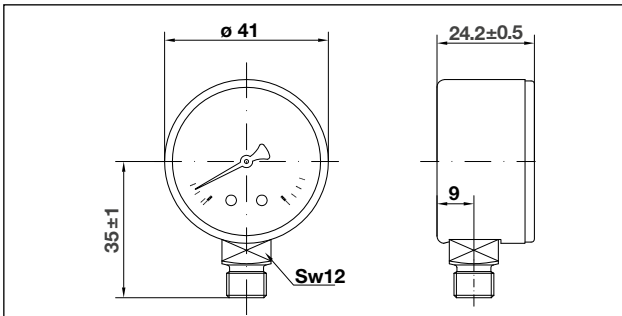
## Features

Materials	
Case	Black plastic
Window	Clear plastic
Dial	Aluminium
Pointer	Aluminium - red plastic
Pressure connection	Cu-alloy, 12 mm flats (DN 40) - 14 mm ( $\geq$ DN 50) flats
Pressure element	Bourdon tube Cu-alloy, soft soldered $\leq$ 60 bar C-type, $>$ 60 bar helical type Sn-Ag soldered
Movement	Cu-alloy

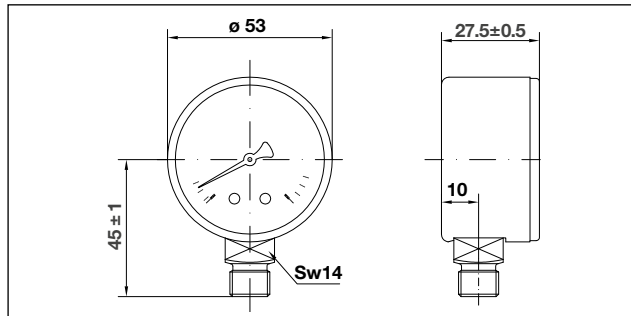
Technical features	
Design	EN 837-1 / INAIL (ex ISPEL)
Working pressure	Steady: 75 % of full scale value Fluctuating: 60 % of full scale value Short time: full scale value
Temperature limits	Ambient: -40 ... +60 °C Medium: +60 °C maximum Storage: -40 ... +60 °C
Temperature effect	Deviation from reference temperature (+20°C): $\pm 0,04\%/1K$ of the span
Accuracy class	Cl 2.5
Degree of protection	IP 31 per EN 60 529 / IEC 529
Individual weight:	
M1-ABS 40/R	0.042 kg
M1-ABS 50/R	0.073 kg
M1-ABS 63/R	0.069 kg

## Overall dimensions (mm)

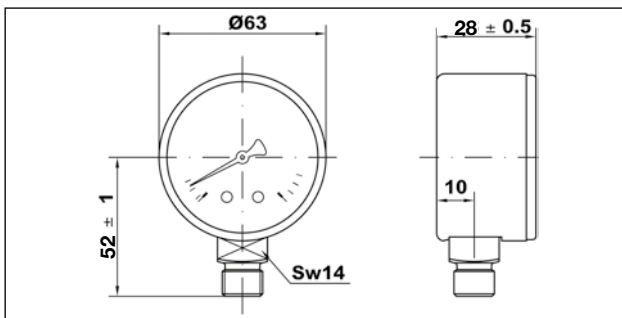
### M1-ABS 40 / FE + R



### M1-ABS 50 / FE + R



### M1-ABS 63 / FE + R



## Specification text

Bourdon tube pressure gauges, **M1-ABS/FE+R Series**, WATTS brand, for heating industry, gases and liquids not viscous, not aggressive and not crystallising. **Dry plastic case** DN 40-50-63 mm **bottom entry red adjustable pointer on window**. Vacuum measures range -1/0 at high pressure up to 400 bar. Temperature limits + 60°C, Accuracy class 2.5.

**Compliant with EN 837-1.**

**Conformity with the requirements of INAIL (ex ISPEL) - Raccolta R, appliance to the Italian decree D.M.1.12.1975.**

The descriptions and photographs contained in this product specification sheet are supplied by way of information only and are not binding.

Watts Industries reserves the right to carry out any technical and design improvements to its products without prior notice. Warranty: All sales and contracts for sale are expressly conditioned on the buyer's assent to Watts terms and conditions found on its website at [www.wattswater.eu](http://www.wattswater.eu). Watts hereby objects to any term, different from or additional to Watts terms, contained in any buyer communication in any form, unless agreed to in a writing signed by an officer of Watts.

**WATTS®**



**Watts Industries Italia S.r.l.**

Via Brenno, 21 • 20853 Biassono (MB) • Italy  
Tel. +39 039 4986.1 • Fax +39 039 4986.222  
[infowattitalia@wattswater.com](mailto:infowattitalia@wattswater.com) • [www.watts.com](http://www.watts.com)