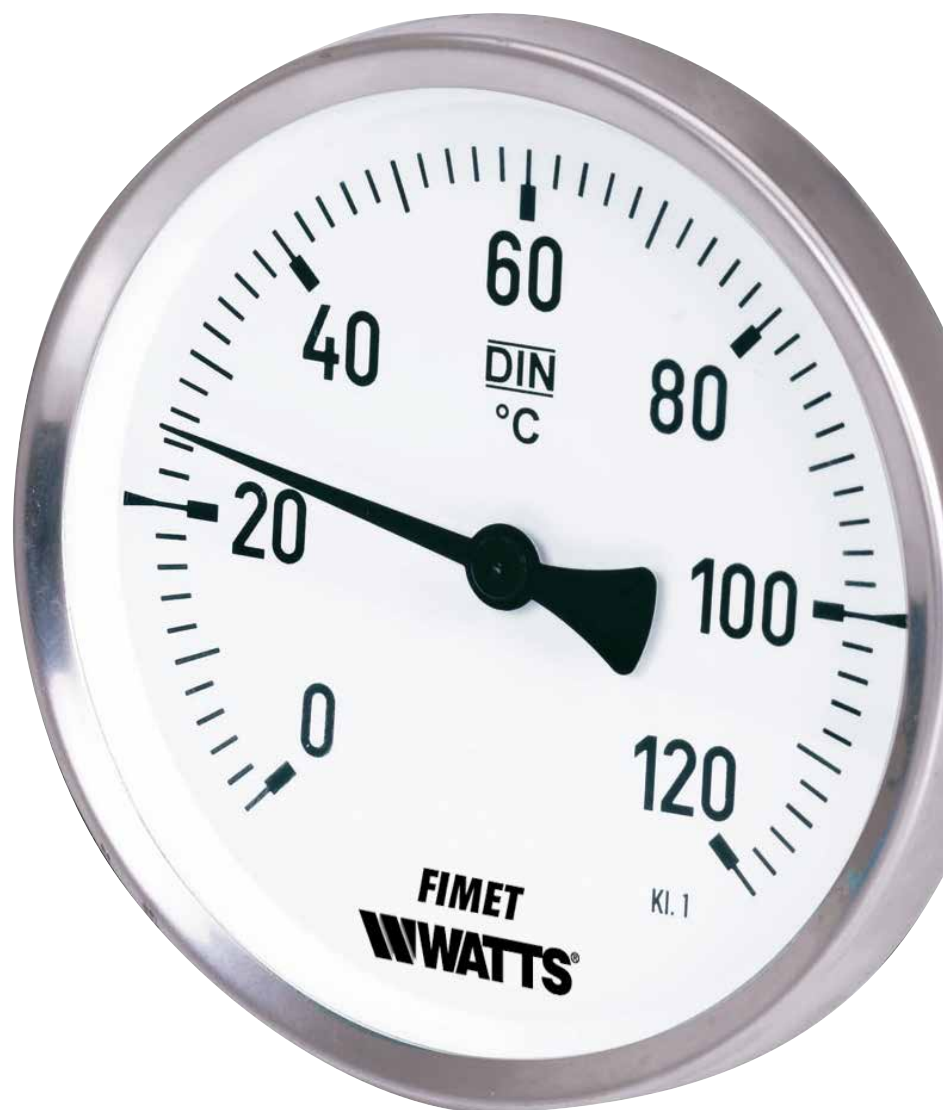


TBX

Bourdon tube pressure gauges

Technical Data Sheet



Description

Centre back entry. For food and chemical industries.



TBX-63

DN63 pressure gauges.

Part No	Stem (mm)	Scale Range	Connec. Options*	Box/Master	Min. order
PZ6T36460000	63	-20+60 °C		1/1	1
	63	0-60 °C		1/1	1
	63	0-120 °C		1/1	1
	63	0-160 °C		1/1	1
	100	-20+60 °C		1/1	1
	100	0-60 °C		1/1	1
	100	0-120 °C		1/1	1
	100	0-160 °C		1/1	1
	150	-20+60 °C		1/1	1
	150	0-60 °C		1/1	1
	150	0-120 °C		1/1	1
	150	0-160 °C		1/1	1



TBX-80

DN80 pressure gauges.

Part No	Stem (mm)	Scale Range	Connec. Options*	Box/Master	Min. order
PZ6T45460000	63	-20+60 °C		1/1	1
	63	0-60 °C		1/1	1
	63	0-120 °C		1/1	1
	63	0-160 °C		1/1	1
	100	-20+60 °C		1/1	1
	100	0-60 °C		1/1	1
	100	0-120 °C		1/1	1
	100	0-160 °C		1/1	1
	150	-20+60 °C		1/1	1
	150	0-60 °C		1/1	1
	150	0-120 °C		1/1	1
	150	0-160 °C		1/1	1
	200	-20+60 °C		1/1	1
	200	0-60 °C		1/1	1
	200	0-120 °C		1/1	1
	200	0-160 °C		1/1	1



TBX-100

DN100 pressure gauges.

Part No	Stem (mm)	Scale Range	Connec.	Options*	Box/Master	Min. order
	63	-20+60 °C			1/1	1
	63	0-60 °C			1/1	1
	63	0-120 °C			1/1	1
	63	0-160 °C			1/1	1
PZ6T56960001	100	-20+60 °C			1/1	1
	100	0-60 °C			1/1	1
	100	0-120 °C			1/1	1
	100	0-160 °C			1/1	1
	150	-20+60 °C			1/1	1
	150	0-60 °C			1/1	1
	150	0-120 °C			1/1	1
	150	0-160 °C			1/1	1
PZ6T58969001	200	-20+60 °C			1/1	1
	200	0-60 °C			1/1	1
	200	0-120 °C			1/1	1
	200	0-160 °C			1/1	1

Customizations per minimum order quantity

Customizations	Model
Customized dials on request	TBX-63-80-100
G INOX Pocket AISI 304	TBX-63-80-100

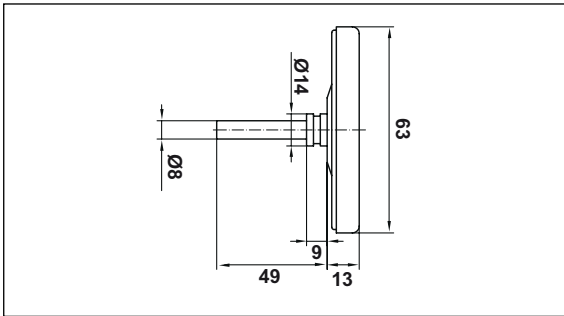
Features

Materials	
Case	Stainless steel AISI 304
Window	Glass
Dial	White aluminium
Pointer	Black aluminium
Stem	Back entry, stainless steel AISI 316L TI, Ø 8 mm without thermowell
Temperature element	Bimetal, spiralled

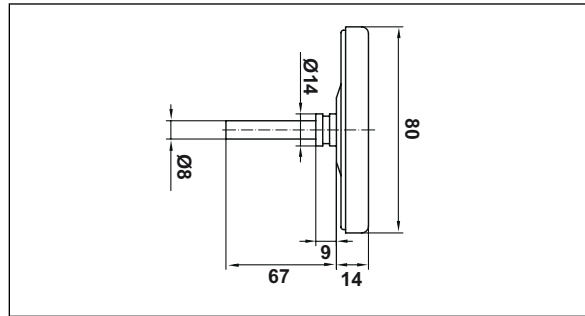
Technical features	
Design	EN 60529
Temperature limits	Ambient: -20 ... +100 °C Medium: as per scale indication Storage: -20 ... +100 °C
Temperature limits	As per scale indication
Temperature effect	Not applicable
Accuracy class	Cl. 1 according to DIN 16203
Degree of protection	IP 31 for EN 60 529 / IEC 529
Individual weight:	
TBX-63	Kg 0.70 - 0.77 - 0.84
TBX-80	Kg 0.100 - 0.106 - 0.112
TBX-100	Kg 0.146 - 0.153 - 0.160

Overall dimensions (mm)

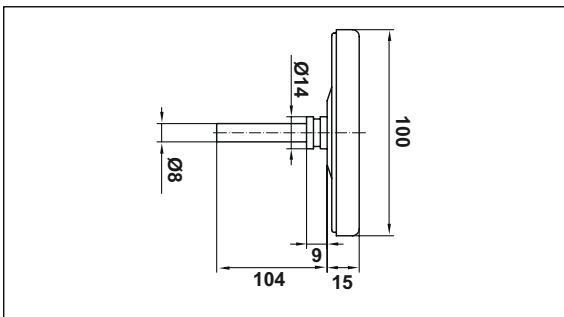
TBX-63



TBX-80



TBX-100



Specification text

Inox Bimetal Thermometers **Series TBX**, Watts brand, for food and chemical industries. Stainless steel case AISI 304 DN 63-80-100 **back connection**. Measures range from 0-60°C up to 160 °C / -20+60 °C. Stem stainless steel AISI 316L TI, Ø 8 mm length 63-100-150-200 mm without pocket, see G-Inox in accessories sheet. Temperature limits as per scale indication. Accuracy class cl. 1.0 according to DIN 16203. **Compliant with EN 60529**

The descriptions and photographs contained in this product specification sheet are supplied by way of information only and are not binding.

Watts Industries reserves the right to carry out any technical and design improvements to its products without prior notice. Warranty: All sales and contracts for sale are expressly conditioned on the buyer's assent to Watts terms and conditions found on its website at www.wattsindustries.com. Watts hereby objects to any term, different from or additional to

Watts terms, contained in any buyer communication in any form, unless agreed to in a writing signed by an officer of Watts.

WATTS[®]

Watts Industries Italia S.r.l.

Via Brenno, 21 • 20853 Biassono (MB) • Italy
Tel. +39 039 4986.1 • Fax +39 039 4986.222
infowattsitalia@wattswater.com • www.watts.com