

TMI

Inert gas thermometers

Technical Data Sheet



Description

Centre back entry with capillary and 3-hole front flange for panel mounting. For food and pharmaceutical industries.

TMI-80

DN80 thermometers.



Part No	Stem (mm)	Scale Range	Connec.	Options*	Box/ Master	Min. order
PZ439810	1	-30+50 °C			1/1	1
PZ43481001	1	-20+80 °C			1/1	1
PZ434410	1	0-60 °C			1/1	1
PZ43481004	1	0-100 °C			1/1	1
PZ435010	1	0-120 °C			1/1	1
PZ435810	1	0-200 °C			1/1	1
	1	0-250 °C			1/1	1
	1	0-300 °C			1/1	1
PZ43641002	1	0-400 °C			1/1	1
PZ436810	1	0-600 °C			1/1	1

TMI-100

DN100 thermometers.



Part No	Stem (mm)	Scale Range	Connec.	Options*	Box/ Master	Min. order
PZ44981001	1	-30+50 °C			1/1	1
	1	-20+80 °C			1/1	1
PZ444410	1	0-60 °C			1/1	1
PZ44481000	1	0-100 °C			1/1	1
PZ445010	1	0-120 °C			1/1	1
PZ44581001	1	0-200 °C			1/1	1
	1	0-250 °C			1/1	1
	1	0-300 °C			1/1	1
PZ446410	1	0-400 °C			1/1	1
PZ446810	1	0-500 °C			1/1	1

TMI-150

DN150 thermometers.



Part No	Stem (mm)	Scale Range	Connec.	Options*	Box/ Master	Min. order
	1	-30+50 °C			1/1	1
	1	-20+80 °C			1/1	1
PZ45441002	1	0-60 °C			1/1	1
	1	0-100 °C			1/1	1
PZ455010	1	0-120 °C			1/1	1
	1	0-200 °C			1/1	1
	1	0-250 °C			1/1	1
	1	0-300 °C			1/1	1
	1	0-400 °C			1/1	1
	1	0-500 °C			1/1	1

Customizations per minimum order quantity

Customizations	Model
Inox capillary length: for each extra 1 meter	TMI-80-100-150

Electric contacts



Options

1... = With 1st electric contact ...: NC = Contact opens - NA = Contact closes
2... = With 2nd electric contact ...:NC = Contact opens - NA = Contact closes
0 = With permanent magnets
4 = Independent contacts (4-wire electric contact) r
L = Liquid filled

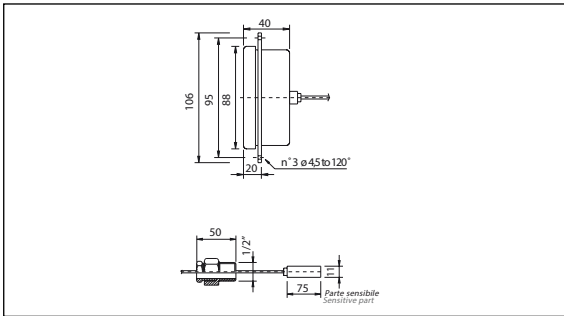
Features

Materials	
Case and ring	AISI 304 stainless steel with bayonet clutch
Window	Glass 3 mm thick
Dial	White aluminium with black scale and graduation
Pointer	Black anodized aluminium; zero adjustment
Movement	AISI 304 stainless steel
Connection	AISI 316L bulb - Cylindrical DN 11 length 75 mm
Capillary	Bare steel 1 mt with inox sensitive part 100 mm thread 1/2 (longer on request) with st. steel pocket size 1/2
Temperature element	Inert gas system

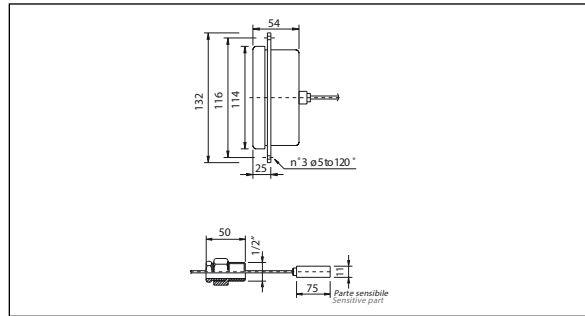
Technical features	
Design	EN 13190
Temperature limits	Ambient: -30 ... +65 °C Medium: as per scale indication Storage: -30 ... +65 °C
Temperature limits	As per scale indication
Accuracy class	cl. 1,0
Degree of protection	IP 55
Individual weight:	
TMI-80	0.30 Kg
TMI-100	0.40 Kg
TMI-150	0.70 Kg

Overall dimensions (mm)

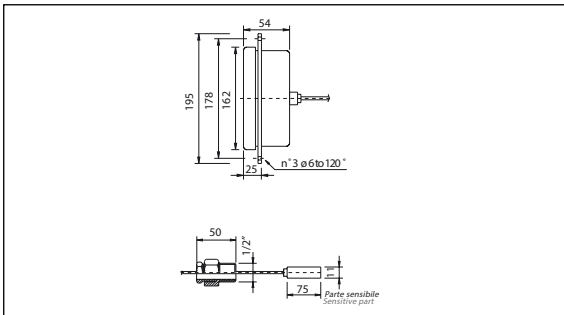
TMI-80



TMI-100



TMI-150



Specification text

All stainless steel inert gas thermometers **Series TMI**, for food and pharmaceutical industries. All stainless steel DN 80-100-150 **bottom connection with capillary and 3-hole front flange for panel mounting**. Measures range from 0-60 a 500 °C / -30+50 °C / -20+80 °C. Complete with inox pocket G1/2". Temperature limits as per scale indication. Accuracy class cl. 1.0 **Compliant with EN 13190**

The descriptions and photographs contained in this product specification sheet are supplied by way of information only and are not binding.

Watts Industries reserves the right to carry out any technical and design improvements to its products without prior notice. Warranty: All sales and contracts for sale are expressly conditioned on the buyer's assent to Watts terms and conditions found on its website at www.watts.eu. Watts hereby objects to any term, different from or additional to Watts terms, contained in any buyer communication in any form, unless agreed to in a writing signed by an officer of Watts.



Watts Industries Italia S.r.l.

Via Brenno, 21 • 20853 Biassono (MB) • Italy

Tel. +39 039 4986.1

infowattsitalia@wattswater.com • www.watts.eu