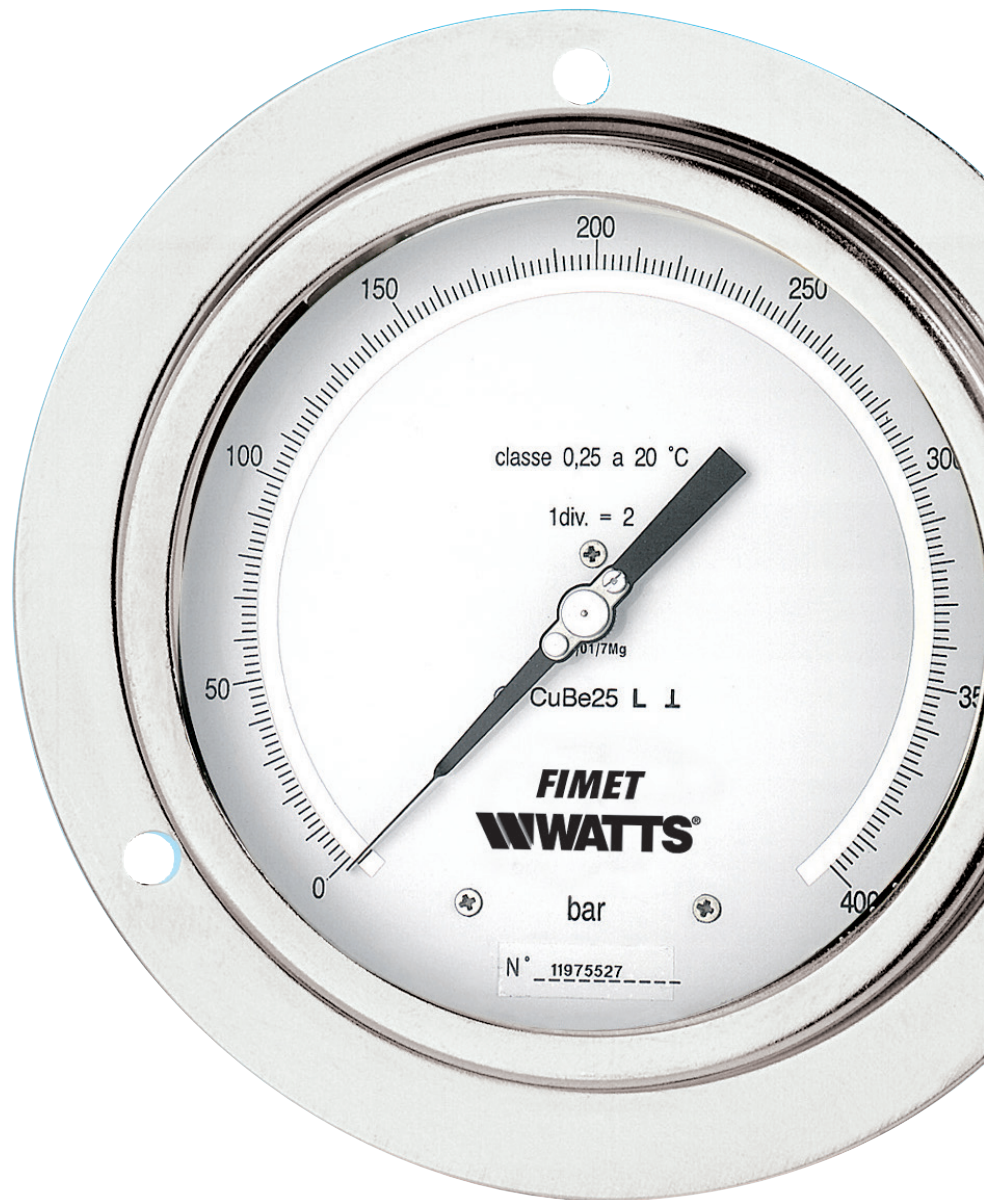


MC3B

Bourdon tube pressure gauges

Technical Data Sheet



Description

Dry - bottom entry. High precision instrument for checking calibration.



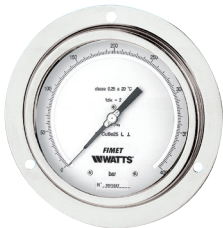
MC3B-150

DN150 pressure gauges.

Part No	Pressure Range	Connection	Box/Master	Min.order
	scale in mbar *	G1/2B	1/1	1
	V+B vuoto+bassa bar	G1/2B	1/1	1
	M media bar	G1/2B	1/1	1
	A alta bar	G1/2B	1/1	1

* 0-600 e 0-1000 mbar

Available in accuracy class 0,5 and 0,25



MC3B-200

DN200 pressure gauges.

Part No	Pressure Range	Connection	Box/Master	Min.order
	scale in mbar *	G1/2B	1/1	1
	V+B vuoto+bassa bar	G1/2B	1/1	1
	M media bar	G1/2B	1/1	1
	A alta bar	G1/2B	1/1	1

* 0-600 e 0-1000 mbar

Available in accuracy class 0,5 and 0,25

Customizations per minimum order quantity

Customizations	Model
DCERTAR002 - Test Certificate	MC3B-150/200
DCERTAR004 - Re-calibration + Test certificate	MC3B-150/200

Scale range on dial

Range mbar	No of division	Scale interval
0/60	0,2	300
0/100	0,5	200
0/160	0,5	320
0/250	1	250
0/400	2	200
0/600	2	300
0/1000	5	200

* Only DN150

Range High	No of division	Scale interval
0/60	0,2	300
0/100	0,5	200
0/160	0,5	320
0/250	1	250
0/400	2	200
0/600	2	300
0/1000	5	200

Range Low-Medium	No of division	No of division
-1/0	0,005	200
0/0,6	0,002	300
0/1	0,005	200
0/1,6	0,005	320
0/2,5	0,01	250
0/4	0,02	200
0/6	0,02	300
0/10	0,05	200
0/16	0,05	320
0/25	0,1	250
0/40	0,2	200

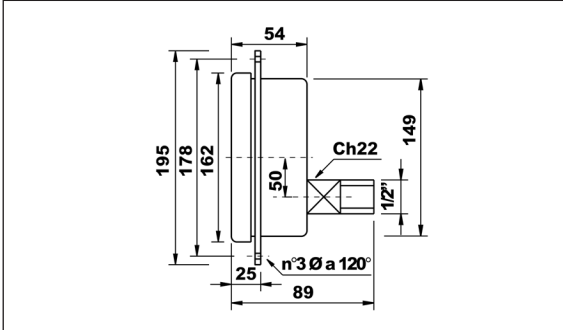
Features

Materials	
Case and ring	Stainless steel AISI 304 with bayonet clutch; nitrile rubber NBR safety plug
3-hole front flange	Stainless steel AISI 304
Window	Glass 3 mm thick
Window gasket	Nitrile rubber NBR
Dial	White aluminium, black scale and graduation with anti-parallax mirror ring
Pointer	Adjustable in black anodized aluminium knife execution
Pressure connection	AISI 316L; thread G1/2B A UNI ISO 228/1
Pressure element	From 60 to 400 mbar: phosphorous bronze bellow - only for gaseous fluids. From 0,6 to 1000 bar: CuBe seamless tube. From 0,6 to 1000 bar: Class 0,5: AISI 316L st. st. seamless tube
Movement	High precision clockwork alloy, pinion and bolt of the sector mounted on bushes in semi precious stone

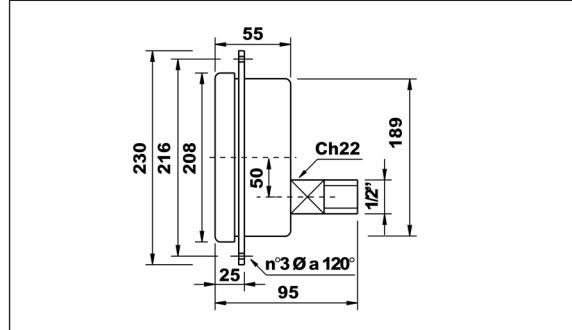
Technical features	
Design	EN 837-1
Working pressure	Steady: of full scale value Fluctuating: 90 % of full scale value Short time: full scale value
Temperature limits	Ambient: -10 ... +30 °C; Medium: +60 °C maximum Storage: -10 ... +30 °C
Over pressure	Up to 60 bar: 25% of scale value. From 100 bar: 15% of scale value
Temperature effect	Max ± 0,05% of span every 10 °C of deviation from the reference temperature of 20°C
Accuracy class	cl. 0,5 - 0,25
Degree of protection	IP 55 according to EN 60 529 / IEC 529
Individual weight:	
MC3B-150	1.20 kg
MC3B-200	1.50 kg

Overall dimensions (mm)

MC3B-150



MC3B-200



Specification text

High precision instrument **MC3B Series**, Watts Brand, for checking calibration. **Stainless steel** DN 150-200 mm, **lower back connection with 3-hole front flange for panel mounting**. Vacuum measures range -1/0 at high pressure up to 1000 bar, from 0-60 mbar to 1000 mbar (only DN 150). Temperature limits: +60°C. Accuracy class 0.5 – 0.25. **Compliant with EN 837-1**

The descriptions and photographs contained in this product specification sheet are supplied by way of information only and are not binding.

Watts Industries reserves the right to carry out any technical and design improvements to its products without prior notice. Warranty: All sales and contracts for sale are expressly conditioned on the buyer's assent to Watts terms and conditions found on its website at www.wattswater.eu. Watts hereby objects to any term, different from or additional to Watts terms, contained in any buyer communication in any form, unless agreed to in a writing signed by an officer of Watts.

WATTS[®]

Watts Industries Italia S.r.l.

Via Brenno, 21 • 20853 Biassono (MB) • Italy
Tel. +39 039 4986.1 • Fax +39 039 4986.222
infowattsit@wattswater.com • www.watts.com