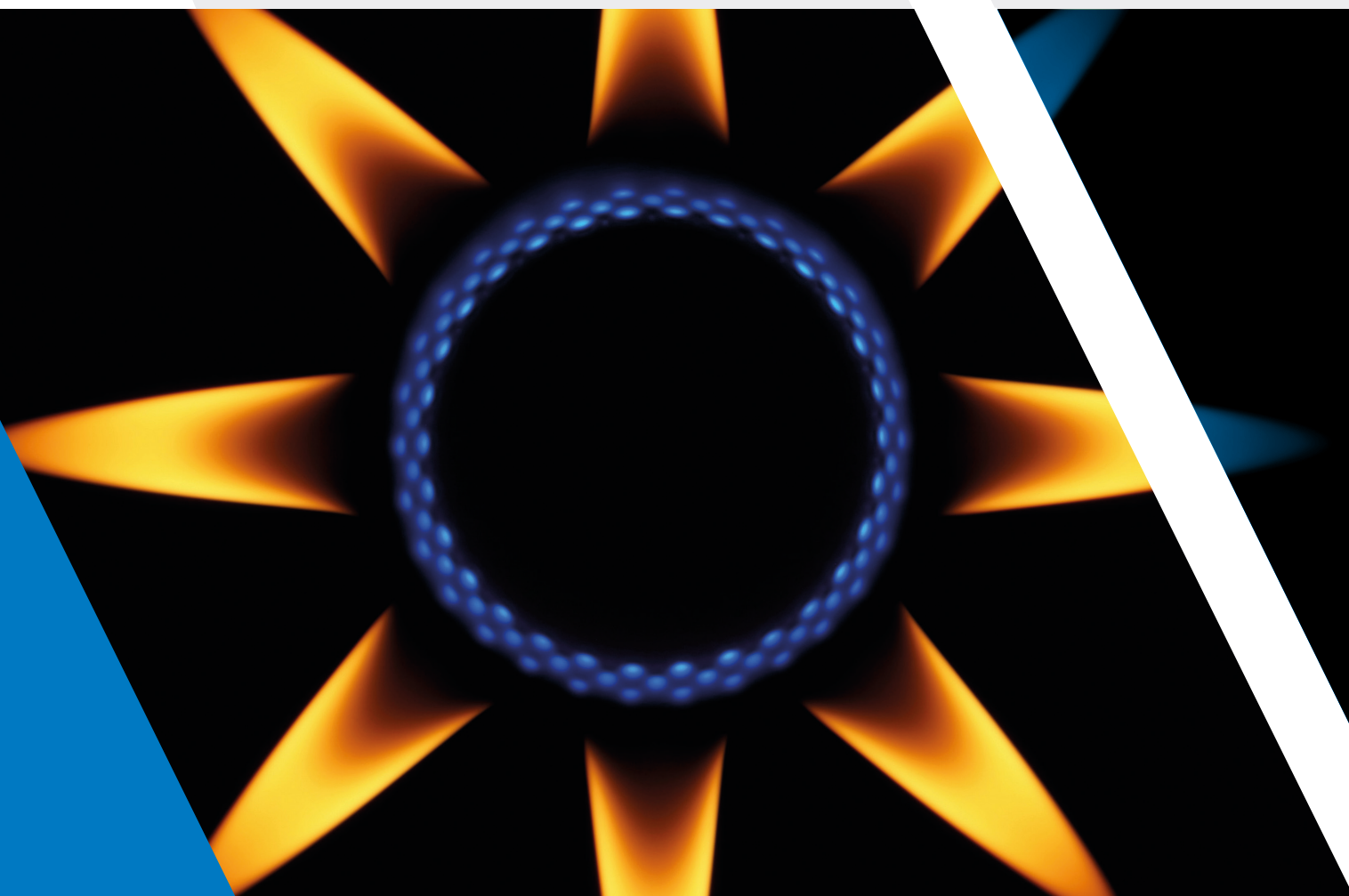


# 2020 Catalogue

Components and systems for combustion



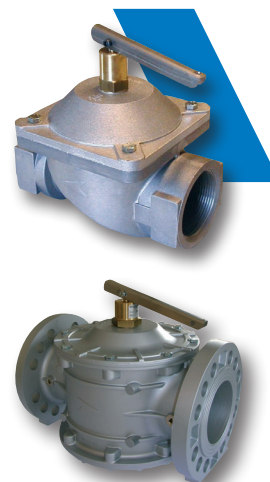
## Chapter 1

# Fuel shut-off valves

### FUEL SHUT-OFF AND JERK HANDLE ON/OFF VALVES

#### JH

Jerk-handle on/off valve remotely controlled by cable and LACPT Series fire-safety lever. Aluminium body. Stainless steel operating lever. PN 6 bar. Room temperature: -10 to 60°C. Max. fuel temperature: 80°C. Fuels: natural gas, town gas, LPG, diesel and fuel oil. ISO 7005/2 flanged connections. **Compliant with PED 2014/68/EU - EC 0497(DN 125-150).**



| Type  | Part number  | Connections | Q.ty/Box | Box/Carton | €/unit |
|-------|--------------|-------------|----------|------------|--------|
| JH15  | 006.0170.000 | 1/2"        | 1        | 1          |        |
| JH20  | 006.0171.000 | 3/4"        | 1        | 1          |        |
| JH25  | 006.0172.000 | 1"          | 1        | 1          |        |
| JH32  | 006.0173.000 | 1.1/4"      | 1        | 1          |        |
| JH40  | 006.0174.000 | 1.1/2"      | 1        | 1          |        |
| JH50  | 006.0175.000 | 2"          | 1        | 1          |        |
| JH65  | 006.0176.100 | DN 65       | 1        | 1          |        |
| JH80  | 006.0177.100 | DN 80       | 1        | 1          |        |
| JH100 | 006.0178.000 | DN 100      | 1        | 1          |        |
| JH125 | 006.0179.000 | DN 125      | 1        | 1          |        |
| JH150 | 006.0180.000 | DN 150      | 1        | 1          |        |

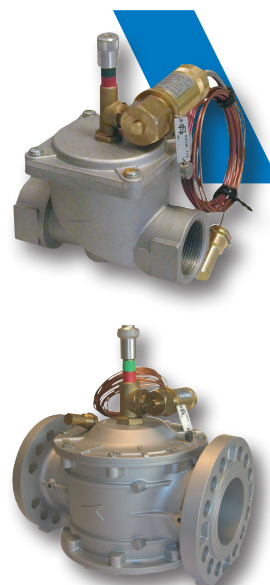
Dimensions on page 293

#### VIC/A

Fuel shut-off valves. Compatible with natural gas, town gas, LPG, diesel and fuel oil. Positive action with manual reset. Capillary length 6 m. Aluminium body, stainless steel springs. NBR seals. 1/2" M sensor sheath connection. Setting temperature: 96 ± 3°C. Max. operating pressure: 1 bar. Max. temperature, sensor side: 130°C. Max. temperature, valve side: 70°C. Flanged model connections. PN16 EN 1024.

**INAIL approved and calibrated Type approved to ATEX 2014/34/EU.**

**Compliant with: PED 2014/68/EU.**



| Type     | Part number  | Connections | Q.ty/Box | Box/Carton | €/unit |
|----------|--------------|-------------|----------|------------|--------|
| VIC/A12  | 006.0150.000 | 1/2"        | 1        | 1          |        |
| VIC/A34  | 006.0151.000 | 3/4"        | 1        | 1          |        |
| VIC/A100 | 006.0152.000 | 1"          | 1        | 1          |        |
| VIC/A114 | 006.0153.000 | 1.1/4"      | 1        | 1          |        |
| VIC/A112 | 006.0154.000 | 1.1/2"      | 1        | 1          |        |
| VIC/A200 | 006.0155.000 | 2"          | 1        | 1          |        |
| VIC/A212 | 006.0156.100 | DN 65       | 1        | 1          |        |
| VIC/A300 | 006.0157.100 | DN 80       | 1        | 1          |        |
| VIC/A400 | 006.0158.000 | DN 100      | 1        | 1          |        |

Dimensions on page 293

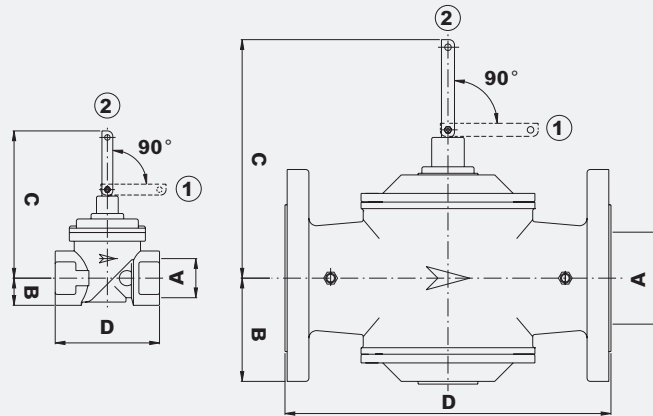
See chapter 1 for full range

**PARTS**

| Type | Part number  | Description   | Q.ty/Box | Box/Carton | €/unit |
|------|--------------|---|----------|------------|--------|
| 1140 | 014.0008.000 | Bulb pocket for VIC/A 10 cm.                              | 1        | 1          |        |
| 1153 | 014.0009.000 | Bulb pocket for VIC/A.                                    | 1        | 1          |        |
| ***  |              | Servicing: replacement of capillary and new INAIL setting |          |            |        |
| ***  |              | Certification: new INAIL setting                          |          |            |        |

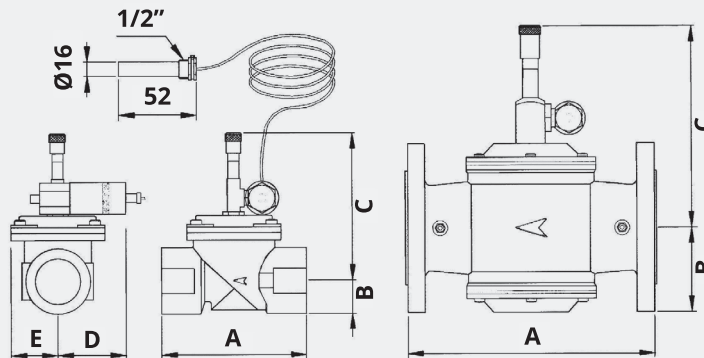
**OVERALL DIMENSIONS**

**JH**



| Mod. JH | 15   | 20   | 25  | 32    | 40    | 50  | 65  | 80  | 100 | 125 | 150 |
|---------|------|------|-----|-------|-------|-----|-----|-----|-----|-----|-----|
| A       | 1/2" | 3/4" | 1"  | 1"1/4 | 1"1/2 | 2"  | 65  | 80  | 100 | 125 | 150 |
| B       | 15   | 25   | 25  | 31    | 31    | 40  | 100 | 100 | 115 | 170 | 170 |
| C       | 157  | 172  | 172 | 220   | 220   | 223 | 290 | 290 | 297 | 412 | 412 |
| D       | 76   | 96   | 96  | 154   | 154   | 173 | 300 | 300 | 360 | 480 | 480 |

**VIC/A**

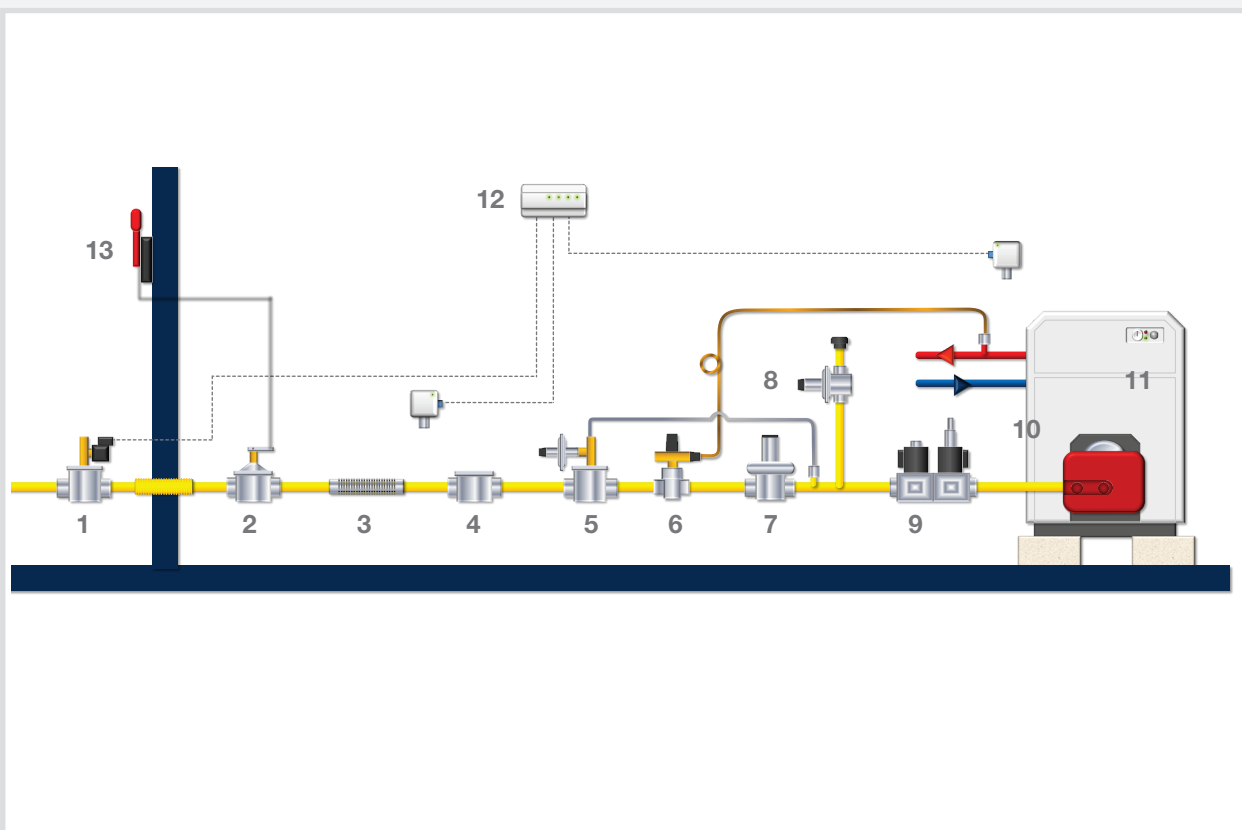


| Mod. VIC/A | 1/2" | 3/4" | 1"  | 1"1/4 | 1"1/2 | 2"  | DN65 | DN80 | DN100 |
|------------|------|------|-----|-------|-------|-----|------|------|-------|
| A          | 76   | 96   | 96  | 154   | 154   | 173 | 300  | 300  | 360   |
| B          | 15   | 25   | 25  | 31    | 31    | 39  | 95   | 95   | 105   |
| C          | 118  | 139  | 139 | 168   | 168   | 169 | 219  | 219  | 227   |
| D          | 90   | 85   | 85  | 85    | 85    | 85  | -    | -    | -     |
| E          | 25   | 35   | 35  | 52    | 52    | 64  | -    | -    | -     |

## Chapter 2

# Devices for gas

### ACCESSORIES FOR GAS LINES

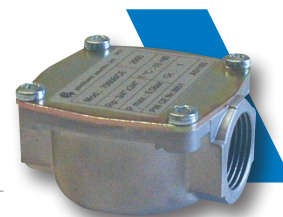


- |   |                                    |
|---|------------------------------------|
| 1. Solenoid valve with manual resetting | 8. Relief valve                    |
| 2. Jerk handle on/off valve             | 9. ON/OFF valve                    |
| 3. Vibration-damping joint              | 10. Burner                         |
| 4. Strainer filter                      | 11. Boiler                         |
| 5. Slam shut-off and relief valve       | 12. Gas leak detector              |
| 6. Fuel shut-off valve                  | 13. Jerk-handle on/off valve lever |
| 7. Pressure regulator                   |                                    |



**AIR AND GAS FILTERS**
**70600**

Aluminium wall-mounting gas filter with galvanised steel cover; Viledon P15/500S filter element approved to DIN EN779, synthetic filter cage; NBR cover O-ring. Suitable for manufactured gas, natural gas, liquefied petroleum gas (LPG), non-aggressive gas and air. Filtration rating 50 µm. PN 0.5. Operating temperature range: -10 to 80°C.



| Type  | Part no.     | Connections | Q.ty/Box | Box/Carton | €/unit |
|-------|--------------|-------------|----------|------------|--------|
| 70609 | 007.0030.100 | 1/2"        | 36       | 36         |        |
| 70608 | 007.0031.100 | 3/4"        | 36       | 36         |        |

Dimensions on page 333

**70600/1B**

Aluminium gas filter; Viledon P15/500S filter element approved to DIN EN779, synthetic filter cage; NBR cover O-ring. Suitable for manufactured gas, natural gas, liquefied petroleum gas (LPG), non-aggressive gas and air. Filtration rating 50 µm. PN 1. Operating temperature range: -20 to 80°C.

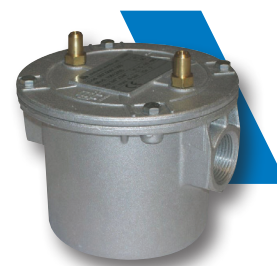


| Type     | Part no.     | Connections | Q.ty/Box | Box/Carton | €/unit |
|----------|--------------|-------------|----------|------------|--------|
| 70611/1B | 007.0040.100 | 1/2"        | 1        | 1          |        |
| 70612/1B | 007.0041.100 | 3/4"        | 1        | 1          |        |
| 70602/1B | 007.0042.100 | 1"          | 1        | 1          |        |
| 70604/1B | 007.0043.100 | 1.1/4"      | 1        | 1          |        |
| 70603/1B | 007.0044.100 | 1.1/2"      | 1        | 1          |        |
| 70631/1B | 007.0045.100 | 2"          | 1        | 1          |        |

Dimensions on page 333

**70600/6B**

Aluminium gas filter; filter element composed of two Viledon P15/500S panels approved to DIN EN779; synthetic filter cage with penetration-resistant steel reinforcement; NBR cover O-ring. With two tapping points. Suitable for manufactured gas, natural gas, liquefied petroleum gas (LPG), non-aggressive gas and air. PN 6 with 2 tapping points. Filtration rating 50 µm. Operating temperature range: -20 to 80°C.



| Type     | Part no.     | Connections | Q.ty/Box | Box/Carton | €/unit |
|----------|--------------|-------------|----------|------------|--------|
| 70611/6B | 007.0060.000 | 1/2"        | 1        | 1          |        |
| 70612/6B | 007.0061.000 | 3/4"        | 1        | 1          |        |
| 70602/6B | 007.0062.000 | 1"          | 1        | 1          |        |
| 70604/6B | 007.0063.000 | 1.1/4"      | 1        | 1          |        |
| 70603/6B | 007.0064.000 | 1.1/2"      | 1        | 1          |        |
| 70631/6B | 007.0065.000 | 2"          | 1        | 1          |        |

Dimensions on page 333

**70600F/6B**

Aluminium gas filter; long-life filter element with high dust-absorption composed of two Viledon P15/500S panels approved to DIN EN779; synthetic filter cage with penetration-resistant steel reinforcement; NBR cover O-ring. Suitable for manufactured gas, natural gas, liquefied petroleum gas (LPG), non-aggressive gas and air. PN 6 with 2 tapping points. Filtration rating: 50 µm. Operating temperature range: -20 to 80°C.



| Type      | Part no.     | Connections | Q.ty/Box | Box/Carton | €/unit |
|-----------|--------------|-------------|----------|------------|--------|
| 70603F/6B | 007.0050.100 | DN 40       | 1        | 1          |        |
| 70631F/6B | 007.0051.100 | DN 50       | 1        | 1          |        |
| 70610F/6B | 007.0052.200 | DN 65       | 1        | 1          |        |
| 70620F/6B | 007.0053.200 | DN 80       | 1        | 1          |        |
| 70640F/6B | 007.0054.100 | DN 100      | 1        | 1          |        |
| 70650F/6B | 007.0055.100 | DN125       | 1        | 1          |        |
| 70660F/6B | 007.0056.100 | DN150       | 1        | 1          |        |

Dimensions on page 333

**70680**

High-efficiency aluminium gas filter; polyester felt filter element; aluminium mesh cage. Suitable for manufactured gas, natural gas, liquefied petroleum gas (LPG), non-aggressive gas and air. PN 6. Filtration rating: 5 µm.

Operating temperature range: -20 to 80°C.



| Type  | Part no.     | Connections | Q.ty/Box | Box/ Carton | €/unit |
|-------|--------------|-------------|----------|-------------|--------|
| 70684 | 007.0012.000 | 1"          | 1        | 1           |        |
| 70685 | 007.0013.000 | 1.1/4"      | 1        | 1           |        |
| 70686 | 007.0014.000 | 1.1/2"      | 1        | 1           |        |
| 70687 | 007.0015.000 | 2"          | 1        | 1           |        |

Dimensions on page 333

**PARTS AND ACCESSORIES**

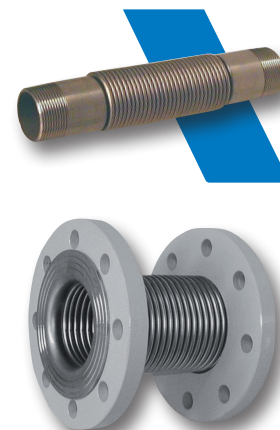
| Type    | Part no.     | Description  | Q.ty/Box | Box/ Carton | €/unit |
|---------|--------------|--|----------|-------------|--------|
| 70516   | 014.0053.000 | Wall-mounting bracket  | 1        | 1           |        |
| 3215    | 014.0090.001 | Kit comprising filter cartridge and cover O-ring for 70609 and 70608                 | 1        | 1           |        |
| 3216    | 014.0091.001 | Kit comprising filter cartridge and cover O-ring for 70611/1B and 70612/1B           | 1        | 1           |        |
| 3217    | 014.0092.001 | Kit comprising filter cartridge and cover O-ring for 70602/1B, 70603/1B and 70604/1B | 1        | 1           |        |
| 3218    | 014.0093.001 | Kit comprising filter cartridge and cover O-ring for 70631/1B                        | 1        | 1           |        |
| 3219    | 014.0094.001 | Kit comprising filter cartridge and cover O-ring for 70603F/6B                       | 1        | 1           |        |
| 3220    | 014.0095.001 | Kit comprising filter cartridge and cover O-ring for 70631F/6B                       | 1        | 1           |        |
| 3226    | 014.0104.000 | Kit comprising filter cartridge and cover O-ring for 70610F/6B and 70620F/6B         | 1        | 1           |        |
| 3223    | 014.0098.001 | Kit comprising filter cartridge and cover O-ring for 70640F/6B                       | 1        | 1           |        |
| 3225    | 014.0099.001 | Kit comprising filter cartridge and cover O-ring for 70650F/6B                       | 1        | 1           |        |
| 3224    | 014.0100.001 | Kit comprising filter cartridge and cover O-ring for 70660F/6B                       | 1        | 1           |        |
| 3216/6B | 014.0091.002 | Kit comprising filter cartridge and cover O-ring for 70611/6B and 70612/6B           | 1        | 1           |        |
| 3217/6B | 014.0092.002 | Kit comprising filter cartridge and cover O-ring for 70602/6B, 70603/6B and 70604/6B | 1        | 1           |        |
| 3218/6B | 014.0093.002 | Kit comprising filter cartridge and cover O-ring for 70631/6B                        | 1        | 1           |        |
| 60680   | 014.0042.000 | Kit comprising filter cartridge and cover O-ring for 70684, 70685 and 70686          | 1        | 1           |        |
| 60687   | 014.0043.000 | Kit comprising filter cartridge and cover O-ring for 70687                           | 1        | 1           |        |
| 1639    | 014.0006.001 | 1/8" test point (pack of 100 pcs.)   | 100      | 100         |        |
| 1639    | 014.0006.002 | 1/8" test point (pack of 1,000 pcs.)   | 1000     | 1000        |        |
| 1640    | 014.0007.001 | 1/4" test point (pack of 100 pcs.)   | 100      | 100         |        |
| 1640    | 014.0007.002 | 1/4" test point (pack of 1,000 pcs.)   | 1000     | 1000        |        |

**VIBRATION-DAMPING AND DIELECTRIC JOINTS**
**GA-GAF**

Vibration-damping expansion joint for gas systems. Stainless steel body, carbon steel flanges. Threaded connections (DN 1/2"-2") and flanged connections (DN 65-100). PN 3. Operating temperature range: -20 to 60°C.

| Type   | Part number  | Connections | Q.ty/Box | Box/Carton | €/unit |
|--------|--------------|-------------|----------|------------|--------|
| GA1556 | 008.0070.000 | 1/2"        | 1        | 1          |        |
| GA1544 | 008.0071.000 | 3/4"        | 1        | 1          |        |
| GA1545 | 008.0072.000 | 1"          | 1        | 1          |        |
| GA1546 | 008.0073.000 | 1.1/4"      | 1        | 1          |        |
| GA1547 | 008.0074.000 | 1.1/2"      | 1        | 1          |        |
| GA1548 | 008.0075.000 | 2"          | 1        | 1          |        |
| GAF212 | 008.0080.000 | DN 65       | 1        | 1          |        |
| GAF300 | 008.0081.000 | DN 80       | 1        | 1          |        |
| GAF400 | 008.0082.000 | DN 100      | 1        | 1          |        |
| GAF500 | 008.0083.000 | DN125       | 1        | 1          |        |
| GAF600 | 008.0084.000 | DN150       | 1        | 1          |        |

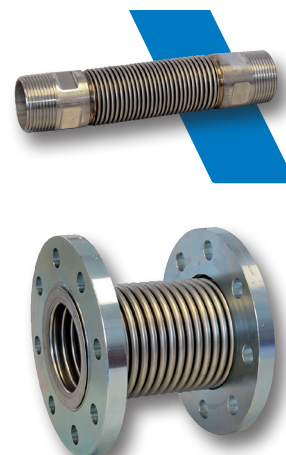
Dimensions on page 334


**GDA**

Vibration-damping expansion joint for gas systems. Stainless steel body, carbon steel flanges. Threaded connections (DN 1/2"-2") and flanged connections (DN 65-100). PN 0.5. Operating temperature -20 to 250°C.

| Type | Part number | Connections | Q.ty/Box | Box/ Carton | €/unit |
|------|-------------|-------------|----------|-------------|--------|
| GDA  | 0915015     | 1/2"        | 1        | 1           |        |
| GDA  | 0915020     | 3/4"        | 1        | 1           |        |
| GDA  | 0915025     | 1"          | 1        | 1           |        |
| GDA  | 0915032     | 1.1/4"      | 1        | 1           |        |
| GDA  | 0915040     | 1.1/2"      | 1        | 1           |        |
| GDA  | 0915050     | 2"          | 1        | 1           |        |
| GDA  | 0915065     | DN 65       | 1        | 1           |        |
| GDA  | 0915080     | DN 80       | 1        | 1           |        |
| GDA  | 0915100     | DN 100      | 1        | 1           |        |

Dimensions on page 335


**GDMF**

Insulating dielectric joints for joining pipes of different metals, thus eliminating corrosion risks due to stray currents or electrolytic phenomena. For gas and water.

Male-female connections. PN 10. Operating temperature range: -15 to 70°C. Insulation voltage in air: 3 kV. Insulation resistance in air: 5 Mohm.

**UNI 10824 and UNI 7129 compliant.**

| Type | Part number | Connections | Q.ty/Box | Box/ Carton | €/unit |
|------|-------------|-------------|----------|-------------|--------|
| GDMF | GDMF015     | 1/2"        | 1        | 80          |        |
| GDMF | GDMF020     | 3/4"        | 1        | 50          |        |
| GDMF | GDMF025     | 1"          | 1        | 40          |        |
| GDMF | GDMF032     | 1.1/4"      | 1        | 25          |        |
| GDMF | GDMF040     | 1.1/2"      | 1        | 20          |        |
| GDMF | GDMF050     | 2"          | 1        | 20          |        |
| GDMF | GDMF065     | 2.1/2"      | 1        | 10          |        |
| GDMF | GDMF080     | 3"          | 1        | 8           |        |
| GDMF | GDMF100     | 4"          | 1        | 1           |        |

Dimensions on page 335



**GDIFF**

Insulating dielectric joints for joining pipes of different metals, thus eliminating corrosion risks due to stray currents or electrolytic phenomena. For gas and water.

Female-female connections. PN 10. Operating temperature range: -15 to 70°C. Insulation voltage in air: 3 kV. Insulation resistance in air: 5 Mohm.

**UNI 10824 and UNI 7129 compliant.**



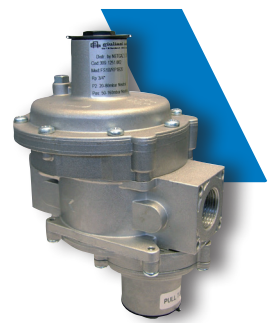
| Type  | Part number | Connections | Q.ty/Box | Box/ Carton | €/unit |
|-------|-------------|-------------|----------|-------------|--------|
| GDIFF | GDIFF020    | 3/4"        | 1        | 40          |        |
| GDIFF | GDIFF025    | 1"          | 1        | 25          |        |
| GDIFF | GDIFF032    | 1.1/4"      | 1        | 20          |        |
| GDIFF | GDIFF040    | 1.1/2"      | 1        | 20          |        |
| GDIFF | GDIFF050    | 2"          | 1        | 20          |        |

Dimensions on page 335

**PRESSURE REGULATORS**

**RP1B**

Aluminium pressure regulator with built-in filter, to EN 88-2. Max. operating pressure 1 bar, with max. outlet pressure shut-off valve. Max. outlet pressure 80 mbar. Suitable for manufactured gas, natural gas, liquefied petroleum gas (LPG), non-aggressive gas and air. Operating temperature range: -10 to 60°C.



| Type   | Part number  | Connections | Description                                      | Q.ty/Box | Box/ Carton | €/unit |
|--------|--------------|-------------|--|----------|-------------|--------|
| RP1B20 | 009.1251.001 | 3/4"        | Green spring 10-30 mbar - Shut-off 30-80 mbar    | 1        | 1           |        |
| RP1B20 | 009.1251.002 | 3/4"        | Neutral spring 20-80 mbar - Shut-off 50-160 mbar | 1        | 1           |        |
| RP1B25 | 009.1252.001 | 1"          | Green spring 10-30 mbar - Shut-off 30-80 mbar    | 1        | 1           |        |
| RP1B25 | 009.1252.002 | 1"          | Neutral spring 20-80 mbar - Shut-off 50-160 mbar | 1        | 1           |        |

**SPRINGS**

| Type         | Part number  | Regulators      | Setting and Colour                                 | Q.ty/Box | Box/ Carton | €/unit |
|--------------|--------------|-----------------|--|----------|-------------|--------|
| 504.0012.020 | 014.0260.001 | RP1B20 - RP1B25 | Green spring kit 10 - 30 mbar. Shut-off 30 - 80    | 1        | 1           |        |
| 504.0013.020 | 014.0261.001 | RP1B20 - RP1B25 | Neutral spring kit 20 - 80 mbar. Shut-off 50 - 160 | 1        | 1           |        |

**FGD**

Aluminium pressure regulator with built-in filter, to EN 88-1. Max. inlet pressure 200 mbar. Max. outlet pressure 160 mbar. Suitable for manufactured gas, natural gas, liquefied petroleum gas (LPG), non-aggressive gas and air.

Operating temperature range: -15 to 60°C.



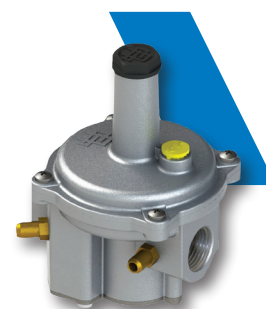
| Type  | Part number  | Connections | Description                      | Q.ty/<br>Box | Box/<br>Carton | €/unit |
|-------|--------------|-------------|----------------------------------|--------------|----------------|--------|
| FGD15 | 009.0020.101 | 1/2"        | With neutral spring 10 - 30 mbar | 1            | 1              |        |
| FGD15 | 009.0020.102 | 1/2"        | With green spring 5 - 15 mbar    | 1            | 1              |        |
| FGD15 | 009.0220.103 | 1/2"        | With purple spring 25 - 80 mbar  | 1            | 1              |        |
| FGD15 | 009.0020.104 | 1/2"        | With brown spring 70 - 160 mbar  | 1            | 1              |        |
| FGD20 | 009.0021.101 | 3/4"        | With neutral spring 10 - 30 mbar | 1            | 1              |        |
| FGD20 | 009.0021.102 | 3/4"        | With green spring 5 - 15 mbar    | 1            | 1              |        |
| FGD20 | 009.0021.103 | 3/4"        | With purple spring 25 - 80 mbar  | 1            | 1              |        |
| FGD20 | 009.0021.104 | 3/4"        | With brown spring 70 - 160 mbar  | 1            | 1              |        |
| FGD25 | 009.0022.101 | 1"          | With neutral spring 10 - 30 mbar | 1            | 1              |        |
| FGD25 | 009.0022.102 | 1"          | With green spring 5 - 15 mbar    | 1            | 1              |        |
| FGD25 | 009.0022.103 | 1"          | With purple spring 25 - 80 mbar  | 1            | 1              |        |
| FGD25 | 009.0022.104 | 1"          | With brown spring 70 - 160 mbar  | 1            | 1              |        |
| FGD32 | 009.0023.101 | 1.1/4"      | With neutral spring 10 - 30 mbar | 1            | 1              |        |
| FGD32 | 009.0023.102 | 1.1/4"      | With green spring 5 - 15 mbar    | 1            | 1              |        |
| FGD32 | 009.0023.103 | 1.1/4"      | With purple spring 20 - 70 mbar  | 1            | 1              |        |
| FGD32 | 009.0023.104 | 1.1/4"      | With brown spring 65 - 130 mbar  | 1            | 1              |        |
| FGD32 | 009.0023.106 | 1.1/4"      | With white spring 120 - 160 mbar | 1            | 1              |        |
| FGD40 | 009.0024.101 | 1.1/2"      | With neutral spring 10 - 30 mbar | 1            | 1              |        |
| FGD40 | 009.0024.102 | 1.1/2"      | With green spring 5 - 15 mbar    | 1            | 1              |        |
| FGD40 | 009.0024.103 | 1.1/2"      | With purple spring 20 - 70 mbar  | 1            | 1              |        |
| FGD40 | 009.0024.104 | 1.1/2"      | With brown spring 65 - 130 mbar  | 1            | 1              |        |
| FGD40 | 009.0024.106 | 1.1/2"      | With white spring 120 - 160 mbar | 1            | 1              |        |
| FGD50 | 009.0025.101 | 2"          | With neutral spring 10 - 30 mbar | 1            | 1              |        |
| FGD50 | 009.0025.102 | 2"          | With green spring 5 - 15 mbar    | 1            | 1              |        |
| FGD50 | 009.0025.103 | 2"          | With purple spring 30 - 80 mbar  | 1            | 1              |        |
| FGD50 | 009.0025.104 | 2"          | With brown spring 70 - 160 mbar  | 1            | 1              |        |

Dimensions on page 336

**FGDR/COM**

Compact aluminium pressure regulator with built-in filter, to EN 88-1. Max. inlet pressure 450 to 500 mbar. Max. outlet pressure 160 mbar.

Closure control. Suitable for manufactured gas, natural gas, liquefied petroleum gas (LPG), non-aggressive gas and air. Operating temperature range: -15 to 60°C.



| Type       | Part number  | Connections | Description                    | Q.ty/<br>Box | Box/<br>Carton | €/unit |
|------------|--------------|-------------|--------------------------------|--------------|----------------|--------|
| FGDR15/COM | 009.0300.003 | 1/2"        | With red spring 20 - 55 mbar   | 1            | 1              |        |
| FGDR15/COM | 009.0300.005 | 1/2"        | With blue spring 50 - 200 mbar | 1            | 1              |        |
| FGDR20/COM | 009.0301.003 | 3/4"        | With red spring 20 - 55 mbar   | 1            | 1              |        |
| FGDR20/COM | 009.0301.005 | 3/4"        | With blue spring 50 - 200 mbar | 1            | 1              |        |

Dimensions on page 337

**FGDR**

Aluminium pressure regulator with built-in filter, to EN 88-1.

Max. inlet pressure 500 mbar. Max. outlet pressure 350 mbar.

Closure control. Suitable for manufactured gas, natural gas, liquefied petroleum gas (LPG), non-aggressive gas and air. Operating temperature range: -15 to 60°C.



| Type      | Part number  | Connections | Description                      | Q.ty/<br>Box | Box/<br>Carton | €/unit |
|-----------|--------------|-------------|----------------------------------|--------------|----------------|--------|
| FGDR15    | 009.0220.101 | 1/2"        | With neutral spring 10 - 30 mbar | 1            | 1              |        |
| FGDR15    | 009.0220.102 | 1/2"        | With green spring 5 - 15 mbar    | 1            | 1              |        |
| FGDR15    | 009.0220.103 | 1/2"        | With purple spring 25 - 80 mbar  | 1            | 1              |        |
| FGDR15    | 009.0220.104 | 1/2"        | With brown spring 70 - 160 mbar  | 1            | 1              |        |
| FGDR15    | 009.0220.105 | 1/2"        | With blue spring 150 - 280 mbar  | 1            | 1              |        |
| FGDR15    | 009.0220.106 | 1/2"        | With white spring 270 - 350 mbar | 1            | 1              |        |
| FGDR20    | 009.0221.101 | 3/4"        | With neutral spring 10 - 30 mbar | 1            | 1              |        |
| FGDR20    | 009.0221.102 | 3/4"        | With green spring 5 - 15 mbar    | 1            | 1              |        |
| FGDR20    | 009.0221.103 | 3/4"        | With purple spring 25 - 80 mbar  | 1            | 1              |        |
| FGDR20    | 009.0221.104 | 3/4"        | With brown spring 70 - 160 mbar  | 1            | 1              |        |
| FGDR20    | 009.0221.105 | 3/4"        | With blue spring 150 - 280 mbar  | 1            | 1              |        |
| FGDR20    | 009.0221.106 | 3/4"        | With white spring 270 - 350 mbar | 1            | 1              |        |
| FGDR25    | 009.0222.101 | 1"          | With neutral spring 10 - 30 mbar | 1            | 1              |        |
| FGDR25    | 009.0222.102 | 1"          | With green spring 5 - 15 mbar    | 1            | 1              |        |
| FGDR25    | 009.0222.103 | 1"          | With purple spring 25 - 80 mbar  | 1            | 1              |        |
| FGDR25    | 009.0222.104 | 1"          | With brown spring 70 - 160 mbar  | 1            | 1              |        |
| FGDR25    | 009.0222.105 | 1"          | With blue spring 150 - 280 mbar  | 1            | 1              |        |
| FGDR25    | 009.0222.106 | 1"          | With white spring 270 - 350 mbar | 1            | 1              |        |
| FGDR32    | 009.0223.101 | 1.1/4"      | With neutral spring 10 - 25 mbar | 1            | 1              |        |
| FGDR32    | 009.0223.102 | 1.1/4"      | With green spring 5 - 15 mbar    | 1            | 1              |        |
| FGDR32    | 009.0223.103 | 1.1/4"      | With purple spring 20 - 70 mbar  | 1            | 1              |        |
| FGDR32    | 009.0223.104 | 1.1/4"      | With brown spring 65 - 130 mbar  | 1            | 1              |        |
| FGDR32    | 009.0223.106 | 1.1/4"      | With white spring 120 - 250 mbar | 1            | 1              |        |
| FGDR32    | 009.0223.107 | 1.1/4"      | With black spring 240 - 350 mbar | 1            | 1              |        |
| FGDR40    | 009.0224.101 | 1.1/2"      | With neutral spring 10 - 25 mbar | 1            | 1              |        |
| FGDR40    | 009.0224.102 | 1.1/2"      | With green spring 5 - 15 mbar    | 1            | 1              |        |
| FGDR40    | 009.0224.103 | 1.1/2"      | With purple spring 20 - 70 mbar  | 1            | 1              |        |
| FGDR40    | 009.0224.104 | 1.1/2"      | With brown spring 65 - 130 mbar  | 1            | 1              |        |
| FGDR40    | 009.0224.106 | 1.1/2"      | With white spring 120 - 250 mbar | 1            | 1              |        |
| FGDR40    | 009.0224.107 | 1.1/2"      | With black spring 240 - 350 mbar | 1            | 1              |        |
| FGDR50/40 | 009.0234.101 | 2"          | With neutral spring 10 - 25 mbar | 1            | 1              |        |
| FGDR50/40 | 009.0234.102 | 2"          | With green spring 5 - 15 mbar    | 1            | 1              |        |
| FGDR50/40 | 009.0234.103 | 2"          | With purple spring 20 - 70 mbar  | 1            | 1              |        |
| FGDR50/40 | 009.0234.104 | 2"          | With brown spring 65 - 130 mbar  | 1            | 1              |        |
| FGDR50/40 | 009.0234.106 | 2"          | With white spring 120 - 250 mbar | 1            | 1              |        |
| FGDR50/40 | 009.0234.107 | 2"          | With black spring 240 - 350 mbar | 1            | 1              |        |
| FGDR50    | 009.0225.101 | 2"          | With neutral spring 10 - 35 mbar | 1            | 1              |        |
| FGDR50    | 009.0225.102 | 2"          | With green spring 5 - 15 mbar    | 1            | 1              |        |
| FGDR50    | 009.0225.103 | 2"          | With purple spring 30 - 80 mbar  | 1            | 1              |        |
| FGDR50    | 009.0225.104 | 2"          | With brown spring 70 - 220 mbar  | 1            | 1              |        |
| FGDR50    | 009.0225.105 | 2"          | With blue spring 210 - 350 mbar  | 1            | 1              |        |

Dimensions on page 337



**FG1B/FG2B**

Aluminium pressure regulator with built-in filter, to EN 88-2. Maximum inlet pressure up to 1" 2 bar, from 1.1/4" to 2" 1 bar. Max. outlet pressure 450 mbar.

Closure control. Suitable for manufactured gas, natural gas, liquefied petroleum gas (LPG), non-aggressive gas and air. Operating temperature range: -15 to 60°C.



| Type      | Part number  | Connections | Description                                 | Q.ty/<br>Box | Box/<br>Carton | €/unit |
|-----------|--------------|-------------|---|--------------|----------------|--------|
| FG2B15    | 009.0250.201 | 1/2"        | With neutral spring 10-30 mbar. Pmax 2 bar  | 1            | 1              |        |
| FG2B15    | 009.0250.203 | 1/2"        | With purple spring 25-80 mbar. Pmax 2 bar   | 1            | 1              |        |
| FG2B15    | 009.0250.204 | 1/2"        | With brown spring 70-160 mbar. Pmax 2 bar   | 1            | 1              |        |
| FG2B15    | 009.0250.205 | 1/2"        | With blue spring 150-280 mbar. Pmax 2 bar   | 1            | 1              |        |
| FG1B15    | 009.0250.106 | 1/2"        | With white spring 270-450 mbar. Pmax 1 bar  | 1            | 1              |        |
| FG2B20    | 009.0251.201 | 3/4"        | With neutral spring 10-30 mbar. Pmax 2 bar  | 1            | 1              |        |
| FG2B20    | 009.0251.203 | 3/4"        | With purple spring 25-80 mbar. Pmax 2 bar   | 1            | 1              |        |
| FG2B20    | 009.0251.204 | 3/4"        | With brown spring 70-160 mbar. Pmax 2 bar   | 1            | 1              |        |
| FG2B20    | 009.0251.205 | 3/4"        | With blue spring 150-280 mbar. Pmax 2 bar   | 1            | 1              |        |
| FG1B20    | 009.0251.106 | 3/4"        | With white spring 270-450 mbar. Pmax 1 bar  | 1            | 1              |        |
| FG2B25    | 009.0252.201 | 1"          | With neutral spring 10-30 mbar. Pmax 2 bar  | 1            | 1              |        |
| FG2B25    | 009.0252.203 | 1"          | With purple spring 25-80 mbar. Pmax 2 bar   | 1            | 1              |        |
| FG2B25    | 009.0252.204 | 1"          | With brown spring 70-160 mbar. Pmax 2 bar   | 1            | 1              |        |
| FG2B25    | 009.0252.205 | 1"          | With blue spring 150-280 mbar. Pmax 2 bar   | 1            | 1              |        |
| FG1B25    | 009.0252.106 | 1"          | With white spring 270-450 mbar. Pmax 1 bar  | 1            | 1              |        |
| FG1B32    | 009.0253.101 | 1.1/4"      | With neutral spring 10-25 mbar. Pmax 1 bar  | 1            | 1              |        |
| FG1B32    | 009.0253.103 | 1.1/4"      | With purple spring 20-70 mbar. Pmax 1 bar   | 1            | 1              |        |
| FG1B32    | 009.0253.104 | 1.1/4"      | With brown spring 65-130 mbar. Pmax 1 bar   | 1            | 1              |        |
| FG1B32    | 009.0253.106 | 1.1/4"      | With white spring 120-250 mbar. Pmax 1 bar  | 1            | 1              |        |
| FG1B32    | 009.0253.107 | 1.1/4"      | With black spring 240-360 mbar. Pmax 1 bar  | 1            | 1              |        |
| FG1B32    | 009.0253.108 | 1.1/4"      | With orange spring 350-450 mbar. Pmax 1 bar | 1            | 1              |        |
| FG1B40    | 009.0254.101 | 1.1/2"      | With neutral spring 10-25 mbar. Pmax 1 bar  | 1            | 1              |        |
| FG1B40    | 009.0254.103 | 1.1/2"      | With purple spring 20-70 mbar. Pmax 1 bar   | 1            | 1              |        |
| FG1B40    | 009.0254.104 | 1.1/2"      | With brown spring 65-130 mbar. Pmax 1 bar   | 1            | 1              |        |
| FG1B40    | 009.0254.106 | 1.1/2"      | With white spring 120-250 mbar. Pmax 1 bar  | 1            | 1              |        |
| FG1B40    | 009.0254.107 | 1.1/2"      | With black spring 240-360 mbar. Pmax 1 bar  | 1            | 1              |        |
| FG1B40    | 009.0254.108 | 1.1/2"      | With orange spring 350-450 mbar. Pmax 1 bar | 1            | 1              |        |
| FG1B50/40 | 009.0264.101 | 2"          | With neutral spring 10-25 mbar. Pmax 1 bar  | 1            | 1              |        |
| FG1B50/40 | 009.0264.103 | 2"          | With purple spring 20-70 mbar. Pmax 1 bar   | 1            | 1              |        |
| FG1B50/40 | 009.0264.104 | 2"          | With brown spring 65-130 mbar. Pmax 1 bar   | 1            | 1              |        |
| FG1B50/40 | 009.0264.106 | 2"          | With white spring 120-250 mbar. Pmax 1 bar  | 1            | 1              |        |
| FG1B50/40 | 009.0264.107 | 2"          | With black spring 240-360 mbar. Pmax 1 bar  | 1            | 1              |        |
| FG1B50/40 | 009.0264.108 | 2"          | With orange spring 350-450 mbar. Pmax 1 bar | 1            | 1              |        |
| FG1B50    | 009.0255.101 | 2"          | With neutral spring 10-35 mbar. Pmax 1 bar  | 1            | 1              |        |
| FG1B50    | 009.0255.103 | 2"          | With purple spring 30-80 mbar. Pmax 1 bar   | 1            | 1              |        |
| FG1B50    | 009.0255.104 | 2"          | With brown spring 70-220 mbar. Pmax 1 bar   | 1            | 1              |        |
| FG1B50    | 009.0255.105 | 2"          | With blue spring 210-450 mbar. Pmax 1 bar   | 1            | 1              |        |

Dimensions on page 337

**FSDR**

Flanged aluminium pressure regulator with built-in filter, to EN 88-1. Max. inlet pressure 500 mbar. Max. outlet pressure 350 mbar. Closure control. Suitable for manufactured gas, natural gas, liquefied petroleum gas (LPG), non-aggressive gas and air. Operating temperature range: -10 to 60°C.

| Type   | Part number  | Connections | Description                    | Q.ty/<br>Box | Box/<br>Carton | €/unit |
|--------|--------------|-------------|--------------------------------|--------------|----------------|--------|
| FSDR65 | 009.0226.201 | DN 65       | With neutral spring 10-30 mbar | 1            | 1              |        |
| FSDR65 | 009.0226.203 | DN 65       | With red spring 25-80 mbar     | 1            | 1              |        |
| FSDR65 | 009.0226.204 | DN 65       | With purple spring 60-120 mbar | 1            | 1              |        |
| FSDR65 | 009.0226.206 | DN 65       | With blue spring 100-220 mbar  | 1            | 1              |        |
| FSDR65 | 009.0226.207 | DN 65       | With white spring 200-350 mbar | 1            | 1              |        |
| FSDR80 | 009.0227.201 | DN 80       | With neutral spring 10-30 mbar | 1            | 1              |        |
| FSDR80 | 009.0227.203 | DN 80       | With red spring 25-80 mbar     | 1            | 1              |        |
| FSDR80 | 009.0227.204 | DN 80       | With purple spring 60-120 mbar | 1            | 1              |        |
| FSDR80 | 009.0227.206 | DN 80       | With blue spring 100-220 mbar  | 1            | 1              |        |
| FSDR80 | 009.0227.207 | DN 80       | With white spring 200-350 mbar | 1            | 1              |        |

Dimensions on page 337



**FS1B**

Flanged aluminium pressure regulator with built-in filter, to EN 88-2. Max. inlet pressure 1 bar. Max. outlet pressure 450 mbar. Closure control. Suitable for manufactured gas, natural gas, liquefied petroleum gas (LPG), non-aggressive gas and air. Operating temperature range: -10 to 60°C.

| Type   | Part number  | Connections | Description                    | Q.ty/<br>Box | Box/<br>Carton | €/unit |
|--------|--------------|-------------|--------------------------------|--------------|----------------|--------|
| FS1B65 | 009.0256.201 | DN 65       | With neutral spring 10-30 mbar | 1            | 1              |        |
| FS1B65 | 009.0256.203 | DN 65       | With red spring 25-80 mbar     | 1            | 1              |        |
| FS1B65 | 009.0256.204 | DN 65       | With purple spring 60-120 mbar | 1            | 1              |        |
| FS1B65 | 009.0256.206 | DN 65       | With blue spring 100-220 mbar  | 1            | 1              |        |
| FS1B65 | 009.0256.207 | DN 65       | With white spring 200-450 mbar | 1            | 1              |        |
| FS1B80 | 009.0257.201 | DN 80       | With neutral spring 10-30 mbar | 1            | 1              |        |
| FS1B80 | 009.0257.203 | DN 80       | With red spring 25-80 mbar     | 1            | 1              |        |
| FS1B80 | 009.0257.204 | DN 80       | With purple spring 60-120 mbar | 1            | 1              |        |
| FS1B80 | 009.0257.206 | DN 80       | With blue spring 100-220 mbar  | 1            | 1              |        |
| FS1B80 | 009.0257.207 | DN 80       | With white spring 200-450 mbar | 1            | 1              |        |

Dimensions on page 336





**STR**

Flanged aluminium pressure regulator to EN 88-1. Max. inlet pressure 500 mbar. Max. outlet pressure 350 mbar, 200 mbar for STR DN 125-150. Closure control. Suitable for manufactured gas, natural gas, liquefied petroleum gas (LPG), non-aggressive gas and air. Operating temperature range: -15 to 60°C.



| Type   | Part number  | Connections | Description                    | Q.ty/<br>Box | Box/<br>Carton | €/unit |
|--------|--------------|-------------|--------------------------------|--------------|----------------|--------|
| STR65  | 009.0240.201 | DN 65       | With neutral spring 10-30 mbar | 1            | 1              |        |
| STR65  | 009.0240.203 | DN 65       | With red spring 25-80 mbar     | 1            | 1              |        |
| STR65  | 009.0240.204 | DN 65       | With purple spring 60-120 mbar | 1            | 1              |        |
| STR65  | 009.0240.206 | DN 65       | With blue spring 100-220 mbar  | 1            | 1              |        |
| STR65  | 009.0240.207 | DN 65       | With white spring 200-350 mbar | 1            | 1              |        |
| STR80  | 009.0241.201 | DN 80       | With neutral spring 10-30 mbar | 1            | 1              |        |
| STR80  | 009.0241.203 | DN 80       | With red spring 25-80 mbar     | 1            | 1              |        |
| STR80  | 009.0241.204 | DN 80       | With purple spring 60-120 mbar | 1            | 1              |        |
| STR80  | 009.0241.206 | DN 80       | With blue spring 100-220 mbar  | 1            | 1              |        |
| STR80  | 009.0241.207 | DN 80       | With white spring 200-350 mbar | 1            | 1              |        |
| STR100 | 009.0242.201 | DN 100      | With neutral spring 10-40 mbar | 1            | 1              |        |
| STR100 | 009.0242.203 | DN 100      | With red spring 30-70 mbar     | 1            | 1              |        |
| STR100 | 009.0242.204 | DN 100      | With purple spring 60-110 mbar | 1            | 1              |        |
| STR100 | 009.0242.205 | DN 100      | With brown spring 100-210 mbar | 1            | 1              |        |
| STR100 | 009.0242.207 | DN 100      | With white spring 200-350 mbar | 1            | 1              |        |
| STR125 | 009.0243.001 | DN 125      | With neutral spring 10-30 mbar | 1            | 1              |        |
| STR125 | 009.0243.003 | DN 125      | With red spring 25-75 mbar     | 1            | 1              |        |
| STR125 | 009.0243.005 | DN 125      | With brown spring 70-120 mbar  | 1            | 1              |        |
| STR125 | 009.0243.007 | DN 125      | With white spring 110-170 mbar | 1            | 1              |        |
| STR125 | 009.0243.006 | DN 125      | With black spring 140-200 mbar | 1            | 1              |        |
| STR150 | 009.0244.001 | DN 150      | With neutral spring 10-30 mbar | 1            | 1              |        |
| STR150 | 009.0244.003 | DN 150      | With red spring 25-75 mbar     | 1            | 1              |        |
| STR150 | 009.0244.005 | DN 150      | With brown spring 70-120 mbar  | 1            | 1              |        |
| STR150 | 009.0244.007 | DN 150      | With white spring 110-170 mbar | 1            | 1              |        |
| STR150 | 009.0244.006 | DN 150      | With black spring 140-200 mbar | 1            | 1              |        |

Dimensions on page 337

**ST1B**

Flanged aluminium pressure regulator to EN 88-2. Max. inlet pressure 1 bar. Max. outlet pressure 450 mbar, 200 mbar for STR DN 125-150. Closure control. Suitable for manufactured gas, natural gas, liquefied petroleum gas (LPG), non-aggressive gas and air. Operating temperature range: -15 to 60°C.



| Type    | Part number  | Connections | Description                    | Q.ty/Box | Box/ Carton | €/unit |
|---------|--------------|-------------|--------------------------------|----------|-------------|--------|
| ST1B65  | 009.0270.201 | DN 65       | With neutral spring 10-30 mbar | 1        | 1           |        |
| ST1B65  | 009.0270.203 | DN 65       | With red spring 25-80 mbar     | 1        | 1           |        |
| ST1B65  | 009.0270.204 | DN 65       | With purple spring 60-120 mbar | 1        | 1           |        |
| ST1B65  | 009.0270.206 | DN 65       | With blue spring 100-220 mbar  | 1        | 1           |        |
| ST1B65  | 009.0270.207 | DN 65       | With white spring 200-450 mbar | 1        | 1           |        |
| ST1B80  | 009.0271.201 | DN 80       | With neutral spring 10-30 mbar | 1        | 1           |        |
| ST1B80  | 009.0271.203 | DN 80       | With red spring 25-80 mbar     | 1        | 1           |        |
| ST1B80  | 009.0271.204 | DN 80       | With purple spring 60-120 mbar | 1        | 1           |        |
| ST1B80  | 009.0271.206 | DN 80       | With blue spring 100-220 mbar  | 1        | 1           |        |
| ST1B80  | 009.0271.207 | DN 80       | With white spring 200-450 mbar | 1        | 1           |        |
| ST1B100 | 009.0272.201 | DN 100      | With neutral spring 10-40 mbar | 1        | 1           |        |
| ST1B100 | 009.0272.203 | DN 100      | With red spring 30-70 mbar     | 1        | 1           |        |
| ST1B100 | 009.0272.204 | DN 100      | With purple spring 60-110 mbar | 1        | 1           |        |
| ST1B100 | 009.0272.205 | DN 100      | With brown spring 100-210 mbar | 1        | 1           |        |
| ST1B100 | 009.0272.207 | DN 100      | With white spring 200-450 mbar | 1        | 1           |        |
| ST1B125 | 009.0273.001 | DN 125      | With neutral spring 10-30 mbar | 1        | 1           |        |
| ST1B125 | 009.0273.003 | DN 125      | With red spring 25-75 mbar     | 1        | 1           |        |
| ST1B125 | 009.0273.005 | DN 125      | With brown spring 70-120 mbar  | 1        | 1           |        |
| ST1B125 | 009.0273.007 | DN 125      | With white spring 110-170 mbar | 1        | 1           |        |
| ST1B125 | 009.0273.006 | DN 125      | With black spring 140-200 mbar | 1        | 1           |        |
| ST1B150 | 009.0274.001 | DN 150      | With neutral spring 10-30 mbar | 1        | 1           |        |
| ST1B150 | 009.0274.003 | DN 150      | With red spring 25-75 mbar     | 1        | 1           |        |
| ST1B150 | 009.0274.005 | DN 150      | With brown spring 70-120 mbar  | 1        | 1           |        |
| ST1B150 | 009.0274.007 | DN 150      | With white spring 110-170 mbar | 1        | 1           |        |
| ST1B150 | 009.0274.006 | DN 150      | With black spring 140-200 mbar | 1        | 1           |        |

Dimensions on pages 336-337


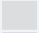



**PARTS KIT**


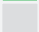





| Type | Part number  | Regulators                      | Description                                      | Q.ty/Box | Box/ Carton | €/unit |
|------|--------------|---------------------------------|--|----------|-------------|--------|
| 3235 | 014.0500.001 | FGD, FGDR, FG1B 15 - 20 - 25    | Kit comprising filter cartridge and cover O-ring | 1        | 1           |        |
| 3236 | 014.0501.001 | FGD, FGDR, FG1B 32 - 40 - 50/40 | Kit comprising filter cartridge and cover O-ring | 1        | 1           |        |
| 3233 | 014.0153.001 | FGD, FGDR, FG1B 50              | Kit comprising filter cartridge and cover O-ring | 1        | 1           |        |
| 3234 | 014.0155.001 | FSDR, FS1B 65 - 80              | Kit comprising filter cartridge and cover O-ring | 1        | 1           |        |
| 3286 | 014.0502.001 | FGD, FGDR, FG1B 15 - 20 - 25    | Servicing components kit                         | 1        | 1           |        |
| 3287 | 014.0503.001 | FGD, FGDR, FG1B 32 - 40 - 50/40 | Servicing components kit                         | 1        | 1           |        |
| 3262 | 014.0190.002 | FGD, FGDR, FG1B 50              | Servicing components kit                         | 1        | 1           |        |
| 3295 | 014.0295.000 | FSDR, FS1B 65 - 80              | Servicing components kit                         | 1        | 1           |        |
| 3296 | 014.0296.000 | STR, ST1B 65 - 80               | Servicing components kit                         | 1        | 1           |        |
| 3297 | 014.0297.000 | STR, ST1B 100                   | Servicing components kit                         | 1        | 1           |        |
| 3504 | 014.0572.000 | STR, ST1B 125 - 150             | Servicing components kit                         | 1        | 1           |        |

## SPRINGS








| Type         | Part number  | Regulators                            | Setting and Colour    | Q.ty/<br>Box | Box/<br>Carton | €/unit |
|--------------|--------------|---------------------------------------|-----------------------|--------------|----------------|--------|
| E720         | 014.0202.001 | FGDR/COM 15 - 20                      | 20-55 mbar - Red      | 1            | 1              |        |
| E737         | 014.0204.001 | FGDR/COM 15 - 20                      | 50-200 mbar - Blue    | 1            | 1              |        |
| 504.0037.020 | 014.0504.001 | FGD, FGDR 15 - 20 - 25                | 5-15 mbar - Green     | 1            | 1              |        |
| 504.0031.020 | 014.0505.001 | FGD, FGDR, FG1B, FG2B 15 - 20<br>- 25 | 10-30 mbar - Neutral  | 1            | 1              |        |
| 504.0032.020 | 014.0506.001 | FGD, FGDR, FG1B, FG2B 15 - 20<br>- 25 | 25-80 mbar - Violet   | 1            | 1              |        |
| 504.0033.020 | 014.0507.001 | FGD, FGDR, FG1B, FG2B 15 - 20<br>- 25 | 70-160 mbar - Brown   | 1            | 1              |        |
| 504.0034.020 | 014.0508.001 | FGDR, FG1B, FG2B 15 - 20 - 25         | 150-280 mbar - Blue   | 1            | 1              |        |
| 504.0035.020 | 014.0509.001 | FGDR 15 - 20 - 25                     | 270-350 mbar - White  | 1            | 1              |        |
| 504.0035.020 | 014.0509.001 | FG1B 15 - 20 - 25                     | 270-450 mbar - White  | 1            | 1              |        |
| E816D        | 014.0220.001 | FGD, FGDR 32 - 40 - 50/40             | 5-15 mbar - Green     | 1            | 1              |        |
| 504.0016.020 | 014.0221.001 | FGD, FGDR, FG1B 32 - 40 - 50/40       | 10-25 mbar - Neutral  | 1            | 1              |        |
| 504.0017.020 | 014.0222.001 | FGD, FGDR, FG1B 32 - 40 - 50/40       | 20-70 mbar - Violet   | 1            | 1              |        |
| E836D        | 014.0223.001 | FGD, FGDR, FG1B 32 - 40 - 50/40       | 65-130 mbar - Brown   | 1            | 1              |        |
| 504.0018.020 | 014.0225.001 | FGD 32 - 40                           | 120-160 mbar - White  | 1            | 1              |        |
| 504.0018.020 | 014.0225.001 | FGDR, FG1B 32 - 40 - 50/40            | 120-250 mbar - White  | 1            | 1              |        |
| 504.0036.020 | 014.0520.001 | FGDR 32 - 40 - 50/40                  | 240-350 mbar - Black  | 1            | 1              |        |
| 504.0036.020 | 014.0520.001 | FG1B 32 - 40 - 50/40                  | 240-360 mbar - Black  | 1            | 1              |        |
| 504.0041.020 | 014.0523.001 | FG1B 32 - 40 - 50/40                  | 350-450 mbar - Orange | 1            | 1              |        |
| 504.0040.020 | 014.0230.001 | FGD, FGDR 50                          | 5-15 mbar - Green     | 1            | 1              |        |
| E620         | 014.0231.001 | FGD, FGDR, FG1B 50                    | 10-35 mbar - Neutral  | 1            | 1              |        |
| E619D        | 014.0232.001 | FGD, FGDR, FG1B 50                    | 30-80 mbar - Violet   | 1            | 1              |        |
| E631D        | 014.0233.001 | FGD50                                 | 70-160 mbar - Brown   | 1            | 1              |        |
| E631D        | 014.0233.001 | FGDR, FG1B 50                         | 70-220 mbar - Brown   | 1            | 1              |        |
| E630         | 014.0234.001 | FGDR50                                | 210-350 mbar - Blue   | 1            | 1              |        |
| E630         | 014.0234.001 | FG1B50                                | 210-450 mbar - Blue   | 1            | 1              |        |
| E405         | 014.0241.001 | FSDR, FS1B, STR, ST1B 65 - 80         | 10-30 mbar - Neutral  | 1            | 1              |        |
| E406         | 014.0242.001 | FSDR, FS1B, STR, ST1B 65 - 80         | 25-80 mbar - Red      | 1            | 1              |        |
| E417D        | 014.0243.001 | FSDR, FS1B, STR, ST1B 65 - 80         | 60-120 mbar - Violet  | 1            | 1              |        |
| E473         | 014.0245.001 | FSDR, FS1B, STR, ST1B 65 - 80         | 100-220 mbar - Blue   | 1            | 1              |        |
| 504.0021.020 | 014.0247.001 | FSDR, STR 65 - 80                     | 200-350 mbar - White  | 1            | 1              |        |
| 504.0021.020 | 014.0247.001 | FS1B, ST1B 65 - 80                    | 200-450 mbar - White  | 1            | 1              |        |
| E466D        | 014.0251.001 | STR, ST1B 100                         | 10-40 mbar - Neutral  | 1            | 1              |        |
| E535         | 014.0252.001 | STR, ST1B 100                         | 30-70 mbar - Red      | 1            | 1              |        |
| E468         | 014.0253.001 | STR, ST1B 100                         | 60-110 mbar - Violet  | 1            | 1              |        |
| E475         | 014.0254.001 | STR, ST1B 100                         | 100-210 mbar - Brown  | 1            | 1              |        |
| 504.0065.000 | 014.0256.001 | STR 100                               | 200-350 mbar - White  | 1            | 1              |        |
| 504.0065.000 | 014.0256.001 | ST1B 100                              | 200-450 mbar - White  | 1            | 1              |        |
| 504.0050.000 | 014.0560.000 | STR, ST1B 125/150                     | 10-30 mbar - Neutral  | 1            | 1              |        |
| 504.0053.000 | 014.0561.000 | STR, ST1B 125/150                     | 25-75 mbar - Red      | 1            | 1              |        |
| 504.0051.000 | 014.0562.000 | STR, ST1B 125/150                     | 70-120 mbar - Violet  | 1            | 1              |        |
| 504.0062.000 | 014.0563.000 | STR, ST1B 125/150                     | 110-170 mbar - Brown  | 1            | 1              |        |
| 504.0064.000 | 014.0564.000 | STR, ST1B 125/150                     | 140-200 mbar - White  | 1            | 1              |        |

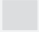





SPRING SELECTION GUIDE

| Modello/Colore  | FGD 15 - 20 - 25           | FGD 32 - 40                 | FGD 50                     |
|---|----------------------------|-----------------------------|----------------------------|
| VERDE    | 5-15 mbar (014.0504.001)   | 5-15 mbar (014.0220.001)    | 5-15 mbar (014.0230.001)   |
| NEUTRA   | 10-30 mbar (014.0505.001)  | 10-25 mbar (014.0221.001)   | 10-35 mbar (014.0231.001)  |
| VIOLA    | 25-80 mbar (014.0506.001)  | 20-70 mbar (014.0222.001)   | 30-80 mbar (014.0232.001)  |
| MARRONE  | 70-160 mbar (014.0507.001) | 65-130 mbar (014.0223.001)  | 70-160 mbar (014.0233.001) |
| BIANCA   | /                          | 120-160 mbar (014.0225.001) | /                          |

| Modello/Colore  | FGDR 15 - 20 - 25           | FGDR 32 - 40 - 50/40        | FGDR 50                     |
|---|-----------------------------|-----------------------------|-----------------------------|
| VERDE    | 5-15 mbar (014.0504.001)    | 5-15 mbar (014.0220.001)    | 5-15 mbar (014.0230.001)    |
| NEUTRA   | 10-30 mbar (014.0505.001)   | 10-25 mbar (014.0221.001)   | 10-35 mbar (014.0231.001)   |
| VIOLA    | 25-80 mbar (014.0506.001)   | 20-70 mbar (014.0222.001)   | 30-80 mbar (014.0232.001)   |
| MARRONE  | 70-160 mbar (014.0507.001)  | 65-130 mbar (014.0223.001)  | 70-160 mbar (014.0233.001)  |
| BLU      | 150-280 mbar (014.0508.001) | /                           | 210-350 mbar (014.0234.001) |
| BIANCA   | 270-350 mbar (014.0509.001) | 120-250 mbar (014.0225.001) | /                           |
| NERA     | /                           | 240-350 mbar (014.0520.001) | /                           |

| Modello/Colore  | FGDR/COM 15-20             |
|---|----------------------------|
| ROSSA  | 20-55 mbar (014.0202.001)  |
| BLU    | 50-200 mbar (014.0204.001) |

| Modello/Colore  | FG1B 15 - 20 - 25           | FG1B 32 - 40 - 50/40        | FG1B 50                     |
|---|-----------------------------|-----------------------------|-----------------------------|
| NEUTRA   | 10-30 mbar (014.0505.001)   | 10-25 mbar (014.0221.001)   | 10-35 mbar (014.0231.001)   |
| VIOLA    | 25-80 mbar (014.0506.001)   | 20-70 mbar (014.0222.001)   | 30-80 mbar (014.0232.001)   |
| MARRONE  | 70-160 mbar (014.0507.001)  | 65-130 mbar (014.0223.001)  | 70-220 mbar (014.0233.001)  |
| BLU      | 150-280 mbar (014.0508.001) | /                           | 210-450 mbar (014.0234.001) |
| BIANCA   | 270-450 mbar (014.0509.001) | 120-250 mbar (014.0225.001) | /                           |
| NERA     | /                           | 240-360 mbar (014.0520.001) | /                           |
| ARANCIO  | /                           | 350-450 mbar (014.0523.001) | /                           |

| Modello/Colore  | FSDR - STR 65 - 80          | STR 100                     | FS1B - ST1B 65 - 80         | ST1B 100                    |
|---|-----------------------------|-----------------------------|-----------------------------|-----------------------------|
| NEUTRA   | 10-30 mbar (014.0241.001)   | 10-40 mbar (014.0251.001)   | 10-30 mbar (014.0241.001)   | 10-40 mbar (014.0251.001)   |
| ROSSA    | 25-80 mbar (014.0242.001)   | 30-70 mbar (014.0252.001)   | 25-80 mbar (014.0242.001)   | 30-70 mbar (014.0252.001)   |
| VIOLA    | 60-120 mbar (014.0243.001)  | 60-110 mbar (014.0253.001)  | 60-120 mbar (014.0243.001)  | 60-110 mbar (014.0253.001)  |
| MARRONE  | /                           | 100-210 mbar (014.0254.001) | /                           | 100-210 mbar (014.0254.001) |
| BLU      | 100-220 mbar (014.0245.001) | /                           | 100-220 mbar (014.0245.001) | /                           |
| BIANCA   | 200-350 mbar (014.0247.001) | 200-350 mbar (014.0256.001) | 200-450 mbar (014.0247.001) | 200-450 mbar (014.0256.001) |

| Modello/Colore  | STR 125 - 150               | ST1B 125 - 150              |
|---|-----------------------------|-----------------------------|
| NEUTRA   | 10-30 mbar (014.0560.000)   | 10-30 mbar (014.0560.000)   |
| ROSSA    | 25-75 mbar (014.0561.000)   | 25-75 mbar (014.0561.000)   |
| MARRONE  | 70-120 mbar (014.0562.000)  | 65-130 mbar (014.0562.000)  |
| BIANCA   | 110-170 mbar (014.0563.000) | 110-170 mbar (014.0563.000) |
| NERA     | 140-200 mbar (014.0564.000) | 140-200 mbar (014.0564.000) |

## PRESSURE REGULATORS, 4 BAR

## ST4B

Aluminium pressure regulator to EN 88-2. Max. inlet pressure 4 bar. Max. outlet pressure 450 mbar. Closure control. Suitable for manufactured gas, natural gas, liquefied petroleum gas (LPG), non-aggressive gas and air.

Operating temperature range: -15 to 60°C.



| Type   | Part number  | Connections | Description                     | Q.ty/<br>Box | Box/<br>Carton | €/unit |
|--------|--------------|-------------|---------------------------------|--------------|----------------|--------|
| ST4B20 | 009.0351.001 | 3/4"        | With neutral spring 10-25 mbar  | 1            | 1              |        |
| ST4B20 | 009.0351.002 | 3/4"        | With purple spring 20-70 mbar   | 1            | 1              |        |
| ST4B20 | 009.0351.003 | 3/4"        | With brown spring 65-120 mbar   | 1            | 1              |        |
| ST4B20 | 009.0351.004 | 3/4"        | With white spring 110-230 mbar  | 1            | 1              |        |
| ST4B20 | 009.0351.005 | 3/4"        | With black spring 220-340 mbar  | 1            | 1              |        |
| ST4B20 | 009.0351.006 | 3/4"        | With orange spring 330-450 mbar | 1            | 1              |        |
| ST4B25 | 009.0352.001 | 1"          | With neutral spring 10-25 mbar  | 1            | 1              |        |
| ST4B25 | 009.0352.002 | 1"          | With purple spring 20-70 mbar   | 1            | 1              |        |
| ST4B25 | 009.0352.003 | 1"          | With brown spring 65-120 mbar   | 1            | 1              |        |
| ST4B25 | 009.0352.004 | 1"          | With white spring 110-230 mbar  | 1            | 1              |        |
| ST4B25 | 009.0352.005 | 1"          | With black spring 220-340 mbar  | 1            | 1              |        |
| ST4B25 | 009.0352.006 | 1"          | With orange spring 330-450 mbar | 1            | 1              |        |
| ST4B32 | 009.0353.001 | 1.1/4"      | With neutral spring 10-25 mbar  | 1            | 1              |        |
| ST4B32 | 009.0353.002 | 1.1/4"      | With purple spring 20-70 mbar   | 1            | 1              |        |
| ST4B32 | 009.0353.003 | 1.1/4"      | With brown spring 65-120 mbar   | 1            | 1              |        |
| ST4B32 | 009.0353.004 | 1.1/4"      | With white spring 110-230 mbar  | 1            | 1              |        |
| ST4B32 | 009.0353.005 | 1.1/4"      | With black spring 220-340 mbar  | 1            | 1              |        |
| ST4B32 | 009.0353.006 | 1.1/4"      | With orange spring 330-450 mbar | 1            | 1              |        |
| ST4B40 | 009.0354.001 | 1.1/2"      | With neutral spring 10-25 mbar  | 1            | 1              |        |
| ST4B40 | 009.0354.002 | 1.1/2"      | With purple spring 20-70 mbar   | 1            | 1              |        |
| ST4B40 | 009.0354.003 | 1.1/2"      | With brown spring 65-120 mbar   | 1            | 1              |        |
| ST4B40 | 009.0354.004 | 1.1/2"      | With white spring 110-230 mbar  | 1            | 1              |        |
| ST4B40 | 009.0354.005 | 1.1/2"      | With black spring 220-340 mbar  | 1            | 1              |        |
| ST4B40 | 009.0354.006 | 1.1/2"      | With orange spring 330-450 mbar | 1            | 1              |        |
| ST4B50 | 009.0355.001 | 2"          | With neutral spring 10-30 mbar  | 1            | 1              |        |
| ST4B50 | 009.0355.002 | 2"          | With purple spring 20-70 mbar   | 1            | 1              |        |
| ST4B50 | 009.0355.003 | 2"          | With brown spring 65-150 mbar   | 1            | 1              |        |
| ST4B50 | 009.0355.004 | 2"          | With white spring 140-270 mbar  | 1            | 1              |        |
| ST4B50 | 009.0355.005 | 2"          | With black spring 260-380 mbar  | 1            | 1              |        |
| ST4B50 | 009.0355.006 | 2"          | With orange spring 370-450 mbar | 1            | 1              |        |

Dimensions on page 338

**ST4B..BM**

Aluminium pressure regulator with maximum pressure shut-off valve, to EN 88-2. Max. inlet pressure 4 bar. Max. outlet pressure 450 mbar.

Closure control. Suitable for manufactured gas, natural gas, liquefied petroleum gas (LPG), non-aggressive gas and air. Operating temperature range: -15 to 60°C.

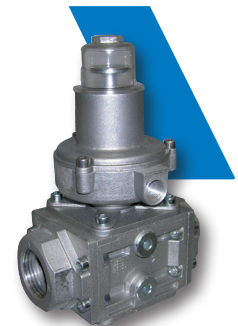


| Type     | Part number  | Connections | Description                     | Q.ty/ Box | Box/ Carton | €/unit |
|----------|--------------|-------------|---------------------------------|-----------|-------------|--------|
| ST4B20BM | 009.0361.001 | 3/4"        | With neutral spring 10-25 mbar  | 1         | 1           |        |
| ST4B20BM | 009.0361.002 | 3/4"        | With purple spring 20-70 mbar   | 1         | 1           |        |
| ST4B20BM | 009.0361.003 | 3/4"        | With brown spring 65-120 mbar   | 1         | 1           |        |
| ST4B20BM | 009.0361.004 | 3/4"        | With white spring 110-230 mbar  | 1         | 1           |        |
| ST4B20BM | 009.0361.005 | 3/4"        | With black spring 220-340 mbar  | 1         | 1           |        |
| ST4B20BM | 009.0361.006 | 3/4"        | With orange spring 330-450 mbar | 1         | 1           |        |
| ST4B25BM | 009.0362.001 | 1"          | With neutral spring 10-25 mbar  | 1         | 1           |        |
| ST4B25BM | 009.0362.002 | 1"          | With purple spring 20-70 mbar   | 1         | 1           |        |
| ST4B25BM | 009.0362.003 | 1"          | With brown spring 65-120 mbar   | 1         | 1           |        |
| ST4B25BM | 009.0362.004 | 1"          | With white spring 110-230 mbar  | 1         | 1           |        |
| ST4B25BM | 009.0362.005 | 1"          | With black spring 220-340 mbar  | 1         | 1           |        |
| ST4B25BM | 009.0362.006 | 1"          | With orange spring 330-450 mbar | 1         | 1           |        |
| ST4B32BM | 009.0363.001 | 1.1/4"      | With neutral spring 10-25 mbar  | 1         | 1           |        |
| ST4B32BM | 009.0363.002 | 1.1/4"      | With purple spring 20-70 mbar   | 1         | 1           |        |
| ST4B32BM | 009.0363.003 | 1.1/4"      | With brown spring 65-120 mbar   | 1         | 1           |        |
| ST4B32BM | 009.0363.004 | 1.1/4"      | With white spring 110-230 mbar  | 1         | 1           |        |
| ST4B32BM | 009.0363.005 | 1.1/4"      | With black spring 220-340 mbar  | 1         | 1           |        |
| ST4B32BM | 009.0363.006 | 1.1/4"      | With orange spring 330-450 mbar | 1         | 1           |        |
| ST4B40BM | 009.0364.001 | 1.1/2"      | With neutral spring 10-25 mbar  | 1         | 1           |        |
| ST4B40BM | 009.0364.002 | 1.1/2"      | With purple spring 20-70 mbar   | 1         | 1           |        |
| ST4B40BM | 009.0364.003 | 1.1/2"      | With brown spring 65-120 mbar   | 1         | 1           |        |
| ST4B40BM | 009.0364.004 | 1.1/2"      | With white spring 110-230 mbar  | 1         | 1           |        |
| ST4B40BM | 009.0364.005 | 1.1/2"      | With black spring 220-340 mbar  | 1         | 1           |        |
| ST4B40BM | 009.0364.006 | 1.1/2"      | With orange spring 330-450 mbar | 1         | 1           |        |
| ST4B50BM | 009.0365.001 | 2"          | With neutral spring 10-30 mbar  | 1         | 1           |        |
| ST4B50BM | 009.0365.002 | 2"          | With purple spring 20-70 mbar   | 1         | 1           |        |
| ST4B50BM | 009.0365.003 | 2"          | With brown spring 65-150 mbar   | 1         | 1           |        |
| ST4B50BM | 009.0365.004 | 2"          | With white spring 140-270 mbar  | 1         | 1           |        |
| ST4B50BM | 009.0365.005 | 2"          | With black spring 260-380 mbar  | 1         | 1           |        |
| ST4B50BM | 009.0365.006 | 2"          | With orange spring 370-450 mbar | 1         | 1           |        |

Dimensions on page 338

**BM**

Aluminium maximum pressure shut-off valve to EN 88-2. Max. inlet pressure 4 bar. Suitable for manufactured gas, natural gas, liquefied petroleum gas (LPG), non-aggressive gas and air. Operating temperature range: -15 to 60°C.



| Type | Part number  | Connections | Description                     | Q.ty/ Box | Box/ Carton | €/unit |
|------|--------------|-------------|---------------------------------|-----------|-------------|--------|
| BM20 | 019.0041.001 | 3/4"        | With neutral spring 50-200 mbar | 1         | 1           |        |
| BM25 | 019.0042.001 | 1"          | With neutral spring 50-200 mbar | 1         | 1           |        |
| BM32 | 019.0043.001 | 1.1/4"      | With neutral spring 50-200 mbar | 1         | 1           |        |
| BM40 | 019.0044.001 | 1.1/2"      | With neutral spring 50-200 mbar | 1         | 1           |        |
| BM50 | 019.0045.001 | 2"          | With neutral spring 50-200 mbar | 1         | 1           |        |

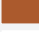


Dimensions on page 338

## SPRINGS

| Type         | Part number  | Regulators                       | Setting and Colour    | Q.ty/<br>Box | Box/<br>Carton | €/unit |
|--------------|--------------|----------------------------------|-----------------------|--------------|----------------|--------|
| 504.0016.020 | 014.0221.001 | ST4B, ST4B..BM 20 - 25 - 32 - 40 | 10-25 mbar - Neutral  | 1            | 1              |        |
| 504.0017.020 | 014.0222.001 | ST4B, ST4B..BM 20 - 25 - 32 - 40 | 20-70 mbar - Violet   | 1            | 1              |        |
| E836D        | 014.0223.001 | ST4B, ST4B..BM 20 - 25 - 32 - 40 | 65-120 mbar - Brown   | 1            | 1              |        |
| 504.0018.020 | 014.0225.001 | ST4B, ST4B..BM 20 - 25 - 32 - 40 | 110-230 mbar - White  | 1            | 1              |        |
| 504.0036.020 | 014.0520.001 | ST4B, ST4B..BM 20 - 25 - 32 - 40 | 220-340 mbar - Black  | 1            | 1              |        |
| 504.0041.020 | 014.0523.001 | ST4B, ST4B..BM 20 - 25 - 32 - 40 | 330-450 mbar - Orange | 1            | 1              |        |
| E320         | 014.0231.001 | ST4B, ST4B..BM 50                | 10-30 mbar - Neutral  | 1            | 1              |        |
| E619d        | 014.0232.001 | ST4B, ST4B..BM 50                | 25-70 mbar - Violet   | 1            | 1              |        |
| E631d        | 014.0233.001 | ST4B, ST4B..BM 50                | 65-150 mbar - Brown   | 1            | 1              |        |
| 504.0038.020 | 014.0521.001 | ST4B, ST4B..BM 50                | 140-270 mbar - White  | 1            | 1              |        |
| 504.0039.020 | 014.0522.001 | ST4B, ST4B..BM 50                | 260-380 mbar - Black  | 1            | 1              |        |
| 504.0043.020 | 014.0524.001 | ST4B, ST4B..BM 50                | 370-450 mbar - Orange | 1            | 1              |        |
| 504.0015.020 | 014.0267.000 | BM 20 - 25 - 32 - 40 - 50        | 50-200 mbar - Neutral | 1            | 1              |        |
| 504.0059.000 | 014.0265.000 | BM 20 - 25 - 32 - 40 - 50        | 190-400 mbar - Red    | 1            | 1              |        |
| 504.0060.000 | 014.0266.000 | BM 20 - 25 - 32 - 40 - 50        | 390-700 mbar - Blue   | 1            | 1              |        |

| Type | Part number  | Regulators             | Description              | Q.ty/Box | Box/<br>Carton | €/unit |
|------|--------------|------------------------|--------------------------|----------|----------------|--------|
| 3500 | 014.0515.001 | ST4B, ST4B..BM 20 - 25 | Servicing components kit | 1        | 1              |        |
| 3501 | 014.0516.001 | ST4B, ST4B..BM 32 - 40 | Servicing components kit | 1        | 1              |        |
| 3502 | 014.0517.001 | ST4B, ST4B..BM 50      | Servicing components kit | 1        | 1              |        |
| -    | 014.0545.000 | ST4B..BM 20            | Conversion kit           | 1        | 1              |        |
| -    | 014.0546.000 | ST4B..BM 25            | Conversion kit           | 1        | 1              |        |
| -    | 014.0547.000 | ST4B..BM 32            | Conversion kit           | 1        | 1              |        |
| -    | 014.0548.000 | ST4B..BM 40            | Conversion kit           | 1        | 1              |        |
| -    | 014.0549.000 | ST4B..BM 50            | Conversion kit           | 1        | 1              |        |

## SELECTION GUIDE: SPRINGS

| Modello/Colore |   | ST4B 15 - 20 - 25           | ST4B 32 - 40                | ST4B 50                     |
|----------------|---|-----------------------------|-----------------------------|-----------------------------|
| NEUTRA         |  | 10-25 mbar (014.0221.001)   | 10-25 mbar (014.0221.001)   | 10-30 mbar (014.0231.001)   |
| VIOLA          |  | 20-70 mbar (014.0222.001)   | 20-70 mbar (014.0222.001)   | 20-70 mbar (014.0232.001)   |
| MARRONE        |  | 65-120 mbar (014.0223.001)  | 65-120 mbar (014.0223.001)  | 65-150 mbar (014.0233.001)  |
| BIANCA         |  | 110-230 mbar (014.0225.001) | 110-230 mbar (014.0225.001) | 140-270 mbar (014.0521.001) |
| NERA           |  | 220-340 mbar (014.0520.001) | 220-340 mbar (014.0520.001) | 260-380 mbar (014.0522.001) |
| ARANCIO        |  | 330-450 mbar (014.0523.001) | 330-450 mbar (014.0523.001) | 370-450 mbar (014.0524.001) |



**SLAM SHUT-OFF AND RELIEF VALVES**

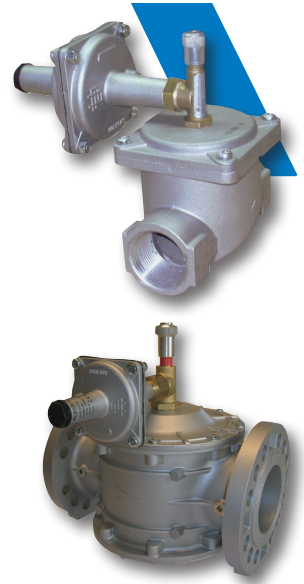
**MB**

Aluminium maximum pressure shut-off valve to EN 88-2.

Max. inlet pressure 1 bar. Suitable for manufactured gas, natural gas, liquefied petroleum gas (LPG), non-aggressive gas and air. Operating temperature range: -10 to 60°C.

| Type  | Part number  | Connections | Description                     | Q.ty/<br>Box | Box/Car-<br>ton | €/unit |
|-------|--------------|-------------|---------------------------------|--------------|-----------------|--------|
| MB20  | 019.0002.001 | 3/4"        | With neutral spring 80-550 mbar | 1            | 1               |        |
| MB20  | 019.0002.002 | 3/4"        | With blue spring 30-120 mbar    | 1            | 1               |        |
| MB25  | 019.0003.001 | 1"          | With neutral spring 80-550 mbar | 1            | 1               |        |
| MB25  | 019.0003.002 | 1"          | With blue spring 30-120 mbar    | 1            | 1               |        |
| MB32  | 019.0004.001 | 1.1/4"      | With neutral spring 80-550 mbar | 1            | 1               |        |
| MB32  | 019.0004.002 | 1.1/4"      | With blue spring 30-120 mbar    | 1            | 1               |        |
| MB40  | 019.0005.001 | 1.1/2"      | With neutral spring 80-550 mbar | 1            | 1               |        |
| MB40  | 019.0005.002 | 1.1/2"      | With blue spring 30-120 mbar    | 1            | 1               |        |
| MB50  | 019.0006.001 | 2"          | With neutral spring 80-550 mbar | 1            | 1               |        |
| MB50  | 019.0006.002 | 2"          | With blue spring 30-120 mbar    | 1            | 1               |        |
| MB65  | 019.0007.101 | DN65        | With neutral spring 80-550 mbar | 1            | 1               |        |
| MB65  | 019.0007.102 | DN65        | With blue spring 30-120 mbar    | 1            | 1               |        |
| MB80  | 019.0008.101 | DN80        | With neutral spring 80-550 mbar | 1            | 1               |        |
| MB80  | 019.0008.102 | DN80        | With blue spring 30-120 mbar    | 1            | 1               |        |
| MB100 | 019.0009.001 | DN100       | With neutral spring 80-550 mbar | 1            | 1               |        |
| MB100 | 019.0009.002 | DN100       | With blue spring 30-120 mbar    | 1            | 1               |        |
| MB125 | 019.0010.001 | DN125       | With neutral spring 80-550 mbar | 1            | 1               |        |
| MB125 | 019.0010.002 | DN125       | With blue spring 30-120 mbar    | 1            | 1               |        |
| MB150 | 019.0011.001 | DN150       | With neutral spring 80-550 mbar | 1            | 1               |        |
| MB150 | 019.0011.002 | DN150       | With blue spring 30-120 mbar    | 1            | 1               |        |

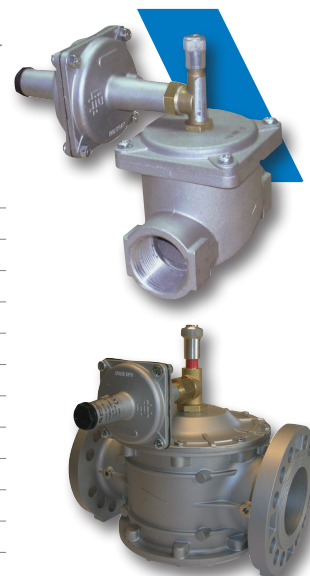
Dimensions on page 339





### MB/6B

Aluminium maximum pressure shut-off valve to EN 88-2. Max. inlet pressure 6 bar. Suitable for manufactured gas, natural gas, liquefied petroleum gas (LPG), non-aggressive gas and air. Operating temperature range: -10 to 60°C.



| Type     | Part number  | Connections | Description                     | Q.ty/Box | Box/ Carton | €/unit |
|----------|--------------|-------------|---------------------------------|----------|-------------|--------|
| MB15/6B  | 019.0021.001 | 1/2"        | With neutral spring 80-550 mbar | 1        | 1           |        |
| MB15/6B  | 019.0021.002 | 1/2"        | With blue spring 30-120 mbar    | 1        | 1           |        |
| MB20/6B  | 019.0022.001 | 3/4"        | With neutral spring 80-550 mbar | 1        | 1           |        |
| MB20/6B  | 019.0022.002 | 3/4"        | With blue spring 30-120 mbar    | 1        | 1           |        |
| MB25/6B  | 019.0023.001 | 1"          | With neutral spring 80-550 mbar | 1        | 1           |        |
| MB25/6B  | 019.0023.002 | 1"          | With blue spring 30-120 mbar    | 1        | 1           |        |
| MB32/6B  | 019.0024.001 | 1.1/4"      | With neutral spring 80-550 mbar | 1        | 1           |        |
| MB32/6B  | 019.0024.002 | 1.1/4"      | With blue spring 30-120 mbar    | 1        | 1           |        |
| MB40/6B  | 019.0025.001 | 1.1/2"      | With neutral spring 80-550 mbar | 1        | 1           |        |
| MB40/6B  | 019.0025.002 | 1.1/2"      | With blue spring 30-120 mbar    | 1        | 1           |        |
| MB50/6B  | 019.0026.001 | 2"          | With neutral spring 80-550 mbar | 1        | 1           |        |
| MB50/6B  | 019.0026.002 | 2"          | With blue spring 30-120 mbar    | 1        | 1           |        |
| MB65/6B  | 019.0027.101 | DN65        | With neutral spring 80-550 mbar | 1        | 1           |        |
| MB65/6B  | 019.0027.102 | DN65        | With blue spring 30-120 mbar    | 1        | 1           |        |
| MB80/6B  | 019.0028.101 | DN80        | With neutral spring 80-550 mbar | 1        | 1           |        |
| MB80/6B  | 019.0028.102 | DN80        | With blue spring 30-120 mbar    | 1        | 1           |        |
| MB100/6B | 019.0029.001 | DN100       | With neutral spring 80-550 mbar | 1        | 1           |        |
| MB100/6B | 019.0029.002 | DN100       | With blue spring 30-120 mbar    | 1        | 1           |        |
| MB125/6B | 019.0030.001 | DN125       | With neutral spring 80-550 mbar | 1        | 1           |        |
| MB125/6B | 019.0030.002 | DN125       | With blue spring 30-120 mbar    | 1        | 1           |        |
| MB150/6B | 019.0031.001 | DN150       | With neutral spring 80-550 mbar | 1        | 1           |        |
| MB150/6B | 019.0031.002 | DN150       | With blue spring 30-120 mbar    | 1        | 1           |        |

Dimensions on page 339

### SPRINGS

| Type         | Part number  | Shut-off valve | Setting and Colour    | Q.ty/Box | Box/ Carton | €/unit |
|--------------|--------------|----------------|-----------------------|----------|-------------|--------|
| E737         | 014.0204.001 | MB, MB/6B      | 30-120 mbar - Blue    | 1        | 1           |        |
| 504.0001.000 | 014.0262.001 | MB, MB/6B      | 80-550 mbar - Neutral | 1        | 1           |        |

### MS

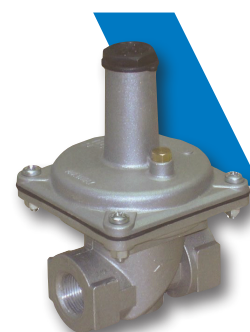
Aluminium relief valve. Max. inlet pressure 2 bar. Suitable for manufactured gas, natural gas, liquefied petroleum gas (LPG), non-aggressive gas and air. Operating temperature range: -10 to 60°C.

| Type | Part number  | Connections | Description                  | Q.ty/Box | Box/ Carton | €/unit |
|------|--------------|-------------|------------------------------|----------|-------------|--------|
| MS20 | 002.0004.001 | 3/4"        | With blue spring 80-600 mbar | 1        | 1           |        |
| MS20 | 002.0004.002 | 3/4"        | With red spring 30-120 mbar  | 1        | 1           |        |
| MS25 | 002.0005.001 | 1"          | With blue spring 80-600 mbar | 1        | 1           |        |
| MS25 | 002.0005.002 | 1"          | With red spring 30-120 mbar  | 1        | 1           |        |

Dimensions on page 339

### SPRINGS

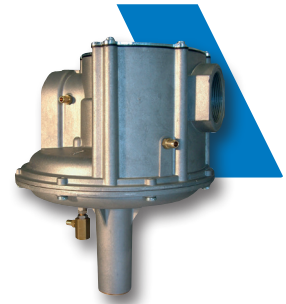
| Type         | Part number  | Relief valve | Setting and Colour | Q.ty/Box | Box/ Carton | €/unit |
|--------------|--------------|--------------|--------------------|----------|-------------|--------|
| E1211D       | 014.0212.001 | MS           | 30-130 mbar - Red  | 1        | 1           |        |
| 504.0003.000 | 014.0216.001 | MS           | 80-600 mbar - Blue | 1        | 1           |        |



**AIR/GAS RATIO CONTROL VALVES**

**GAVR**

Air/gas ratio control valve with max. inlet pressure of 200mbar. Max. air inlet pressure 120mbar. Ratio 1:1. Adjustable minimum flow rate. Suitable for manufactured gas, natural gas, liquefied petroleum gas (LPG), non-aggressive gas and air. Operating temperature range: -10 to 60°C.



| Type      | Part number  | Connections | Description                | Q.ty/Box | Box/ Carton | €/unit |
|-----------|--------------|-------------|----------------------------|----------|-------------|--------|
| GAVR15    | 020.0001.101 | 1/2"        | Outlet pressure 2-120 mbar | 1        | 1           |        |
| GAVR20    | 020.0002.101 | 3/4"        | Outlet pressure 2-120 mbar | 1        | 1           |        |
| GAVR25    | 020.0003.101 | 1"          | Outlet pressure 2-120 mbar | 1        | 1           |        |
| GAVR32    | 020.0004.101 | 1.1/4"      | Outlet pressure 2-120 mbar | 1        | 1           |        |
| GAVR40    | 020.0005.101 | 1.1/2"      | Outlet pressure 2-120 mbar | 1        | 1           |        |
| GAVR50/40 | 020.0016.101 | 2"          | Outlet pressure 2-120 mbar | 1        | 1           |        |
| GAVR50    | 020.0006.101 | 2"          | Outlet pressure 2-120 mbar | 1        | 1           |        |

Dimensions on page 340

**VRGA**

Air/gas ratio control valve with max. inlet pressure of 200mbar. Max. air inlet pressure 120mbar. Ratio 1:1. Adjustable minimum flow rate. Suitable for manufactured gas, natural gas, liquefied petroleum gas (LPG), non-aggressive gas and air. Operating temperature range: -10 to 60°C.



| Type    | Part number  | Connections | Description                | Q.ty/Box | Box/ Carton | €/unit |
|---------|--------------|-------------|----------------------------|----------|-------------|--------|
| VRGA65  | 020.0007.101 | DN65        | Outlet pressure 2-120 mbar | 1        | 1           |        |
| VRGA80  | 020.0008.101 | DN80        | Outlet pressure 2-120 mbar | 1        | 1           |        |
| VRGA100 | 020.0009.001 | DN100       | Outlet pressure 2-120 mbar | 1        | 1           |        |

Dimensions on page 340

**PARTS KIT**

| Type | Part number  | Regulators           | Description              | Q.ty/Box | Box/ Carton | €/unit |
|------|--------------|----------------------|--------------------------|----------|-------------|--------|
| 3306 | 014.0148.000 | GAVR 15 - 20 - 25    | Servicing components kit | 1        | 1           |        |
| 3307 | 014.0149.000 | GAVR 32 - 40 - 50/40 | Servicing components kit | 1        | 1           |        |
| 3303 | 014.0145.000 | GAVR 50              | Servicing components kit | 1        | 1           |        |
| 3304 | 014.0146.000 | VRGA 65 - 80         | Servicing components kit | 1        | 1           |        |
| 3305 | 014.0147.000 | VRGA 100             | Servicing components kit | 1        | 1           |        |

**AUTOMATIC ON-OFF SOLENOID VALVES**

**GSAVO**

Automatic ON-OFF normally closed class A gas solenoid valve with threaded connections. Quick opening and closing. Brass body. Coil with IP65 connector. Suitable for manufactured gas, natural gas, liquefied petroleum gas (LPG), non-aggressive gas and air. Operating temperature range: -20 to 60°C.



| Type        | Part number  | Connections | Description                                 | Q.ty/Box | Box/ Carton | €/unit |
|-------------|--------------|-------------|---|----------|-------------|--------|
| GSAVO15     | 021.0030.001 | 1/2"        | Power supply 230 VAC. Max. pressure 0.2 bar | 1        | 1           |        |
| GASVO15/08B | 021.0031.001 | 1/2"        | Power supply 230 VAC. Max. pressure 0.8 bar | 1        | 1           |        |

Dimensions on page 340

### GSAV

Automatic ON-OFF normally closed class A gas solenoid valve with threaded connections. Quick opening and closing. Aluminium body. Coil with IP65 connector. Suitable for manufactured gas, natural gas, liquefied petroleum gas (LPG), non-aggressive gas and air. Operating temperature range: -20 to 60°C.

| Type       | Part number  | Connections | Description                                 | Q.ty/<br>Box | Box/<br>Carton | €/unit |
|------------|--------------|-------------|---|--------------|----------------|--------|
| GSAV15/02B | 021.0020.001 | 1/2"        | Power supply 230 VAC. Max. pressure 0.2 bar | 1            | 1              |        |
| GSAV20/02B | 021.0021.001 | 3/4"        | Power supply 230 VAC. Max. pressure 0.2 bar | 1            | 1              |        |
| GSAV25/02B | 021.0022.001 | 1"          | Power supply 230 VAC. Max. pressure 0.2 bar | 1            | 1              |        |

Dimensions on page 340

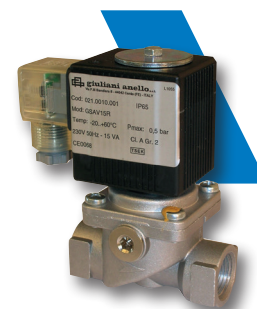


### GSAV-R

Automatic ON-OFF normally closed class A gas solenoid valve with threaded connections. Quick opening and closing with adjustable flow rate. Aluminium body. Coil with IP65 connector (1/2"-3/4"-1"). Coil with IP54 electrical enclosure (1/4"1/2"-2"). Suitable for manufactured gas, natural gas, liquefied petroleum gas (LPG), non-aggressive gas and air. Operating temperature range: -20 to 60°C.

| Type    | Part number  | Connections | Description                                 | Q.ty/<br>Box | Box/<br>Carton | €/unit |
|---------|--------------|-------------|---|--------------|----------------|--------|
| GSAV15R | 021.0010.001 | 1/2"        | Power supply 230 VAC. Max. pressure 0.5 bar | 1            | 1              |        |
| GSAV20R | 021.0011.001 | 3/4"        | Power supply 230 VAC. Max. pressure 0.5 bar | 1            | 1              |        |
| GSAV25R | 021.0012.001 | 1"          | Power supply 230 VAC. Max. pressure 0.5 bar | 1            | 1              |        |
| GSAV32R | 021.0013.101 | 1.1/4"      | Power supply 230 VAC. Max. pressure 0.5 bar | 1            | 1              |        |
| GSAV40R | 021.0014.101 | 1.1/2"      | Power supply 230 VAC. Max. pressure 0.5 bar | 1            | 1              |        |
| GSAV50R | 021.0015.101 | 2"          | Power supply 230 VAC. Max. pressure 0.5 bar | 1            | 1              |        |

Dimensions on page 340



### GSAV-2R

Automatic ON-OFF normally closed class A gas solenoid valve. Quick opening and closing with adjustable flow rate. Aluminium body. Coil with IP54 connector. Suitable for manufactured gas, natural gas, liquefied petroleum gas (LPG), non-aggressive gas and air. Operating temperature range: -20 to 60°C.

| Type      | Part number  | Connections | Description                                 | Q.ty/<br>Box | Box/<br>Carton | €/unit |
|-----------|--------------|-------------|---|--------------|----------------|--------|
| GSAV202R  | 021.0121.001 | 3/4"        | Power supply 230 VAC. Max. pressure 0.2 bar | 1            | 1              |        |
| GSAV252R  | 021.0122.001 | 1"          | Power supply 230 VAC. Max. pressure 0.2 bar | 1            | 1              |        |
| GSAV322R  | 021.0123.001 | 1.1/4"      | Power supply 230 VAC. Max. pressure 0.2 bar | 1            | 1              |        |
| GSAV402R  | 021.0124.001 | 1.1/2"      | Power supply 230 VAC. Max. pressure 0.2 bar | 1            | 1              |        |
| GSAV502R  | 021.0125.001 | 2"          | Power supply 230 VAC. Max. pressure 0.2 bar | 1            | 1              |        |
| GSAV652R  | 021.0126.001 | DN65        | Power supply 230 VAC. Max. pressure 0.2 bar | 1            | 1              |        |
| GSAV802R  | 021.0127.001 | DN80        | Power supply 230 VAC. Max. pressure 0.2 bar | 1            | 1              |        |
| GSAV1002R | 021.0128.001 | DN100       | Power supply 230 VAC. Max. pressure 0.2 bar | 1            | 1              |        |

Dimensions on page 340



**AMSV-R**

Automatic ON-OFF normally closed class A gas solenoid valve with threaded connections. Quick opening and closing with adjustable flow rate. Aluminium body. Coil with IP65 connector (1/2"-3/4"-1"). Coil with IP54 electrical enclosure (1.1/4"-1.1/2"-2"). Suitable for manufactured gas, natural gas, liquefied petroleum gas (LPG), non-aggressive gas and air. Operating temperature range: -20 to 60°C.



| Type     | Part number  | Connections | Description                                 | Q.ty/<br>Box | Box/<br>Carton | €/unit |
|----------|--------------|-------------|---|--------------|----------------|--------|
| AMSV205R | 021.0139.001 | 3/4"        | Power supply 230 VAC. Max. pressure 0.5 bar | 1            | 1              |        |
| AMSV255R | 021.0140.001 | 1"          | Power supply 230 VAC. Max. pressure 0.5 bar | 1            | 1              |        |
| AMSV325R | 021.0141.101 | 1.1/4"      | Power supply 230 VAC. Max. pressure 0.5 bar | 1            | 1              |        |
| AMSV405R | 021.0142.101 | 1.1/2"      | Power supply 230 VAC. Max. pressure 0.5 bar | 1            | 1              |        |
| AMSV505R | 021.0143.101 | 2"          | Power supply 230 VAC. Max. pressure 0.5 bar | 1            | 1              |        |

Dimensions on page 341

**AMSV-2R**

Automatic ON-OFF normally closed class A gas solenoid valve. Quick opening and closing with adjustable flow rate. Aluminium body. Coil with IP54 connector. Suitable for manufactured gas, natural gas, liquefied petroleum gas (LPG), non-aggressive gas and air. Operating temperature range: -20 to 60°C.



| Type     | Part number  | Connections | Description                                 | Q.ty/<br>Box | Box/<br>Carton | €/unit |
|----------|--------------|-------------|---|--------------|----------------|--------|
| AMSV202R | 021.0041.001 | 3/4"        | Power supply 230 VAC. Max. pressure 0.2 bar | 1            | 1              |        |
| AMSV252R | 021.0042.001 | 1"          | Power supply 230 VAC. Max. pressure 0.2 bar | 1            | 1              |        |
| AMSV322R | 021.0043.001 | 1.1/4"      | Power supply 230 VAC. Max. pressure 0.2 bar | 1            | 1              |        |
| AMSV402R | 021.0044.001 | 1.1/2"      | Power supply 230 VAC. Max. pressure 0.2 bar | 1            | 1              |        |
| AMSV502R | 021.0045.001 | 2"          | Power supply 230 VAC. Max. pressure 0.2 bar | 1            | 1              |        |

Dimensions on page 341

**GHAV**

Automatic ON-OFF normally closed class A gas solenoid valve. Actuated by IP54 electro-hydraulic actuator. Aluminium body. Suitable for manufactured gas, natural gas, liquefied petroleum gas (LPG), non-aggressive gas and air. Operating temperature range: -20 to 60°C.



| Type    | Part number  | Connections | Description                               | Q.ty/<br>Box | Box/<br>Carton | €/unit |
|---------|--------------|-------------|---|--------------|----------------|--------|
| GHAV65  | 021.0100.001 | DN65        | Power supply 230 VAC. Max. pressure 1 bar | 1            | 1              |        |
| GHAV80  | 021.0101.001 | DN80        | Power supply 230 VAC. Max. pressure 1 bar | 1            | 1              |        |
| GHAV100 | 021.0102.001 | DN100       | Power supply 230 VAC. Max. pressure 1 bar | 1            | 1              |        |
| GHAV125 | 021.0103.001 | DN125       | Power supply 230 VAC. Max. pressure 1 bar | 1            | 1              |        |
| GHAV150 | 021.0104.001 | DN150       | Power supply 230 VAC. Max. pressure 1 bar | 1            | 1              |        |

Dimensions on page 341

**PARTS KIT**

| Type         | Part number  | Valve                            | Description                      | Q.ty/<br>Box | Box/<br>Carton | €/unit |
|--------------|--------------|----------------------------------|----------------------------------|--------------|----------------|--------|
| 511.2102.001 | 014.0307.001 | GSAVO15                          | RAC coil 230 VAC                 | 1            | 1              |        |
| 511.0041.001 | 014.0305.001 | GSAVO15/08B - GSAV15/02B         | RAC coil 230 VAC                 | 1            | 1              |        |
| 511.0219.001 | 014.0306.001 | GSAV20/02B - GSAV25/02B          | RAC coil 230 VAC                 | 1            | 1              |        |
| 2104         | 014.0277.001 | GSAVO - GSAV15-20-25/02B         | Connector 230 VAC                | 1            | 1              |        |
| 821.0030.990 | 014.0471.001 | AMSV, GSAV 202 - 252 R-L         | RAC coil 230 VAC                 | 1            | 1              |        |
| 821.0031.990 | 014.0472.001 | AMSV, GSAV 322 - 402 R-L         | RAC coil 230 VAC                 | 1            | 1              |        |
| 821.0032.990 | 014.0473.001 | AMSV, GSAV 502 R-L               | RAC coil 230 VAC                 | 1            | 1              |        |
| 821.0032.990 | 014.0473.001 | AMSV325-405-505R, GSAV32-40-50R  | RAC coil 230 VAC                 | 1            | 1              |        |
| 821.0121.990 | 014.0487.001 | GSAV 652 - 802 R                 | RAC coil 230 VAC                 | 1            | 1              |        |
| 821.0122.990 | 014.0488.001 | GSAV1002 R                       | RAC coil 230 VAC                 | 1            | 1              |        |
| 511.0042.990 | 014.0474.001 | AMSV, GSAV 202 - 252 R-L         | Rectifier 230VAC                 | 1            | 1              |        |
| 511.0043.990 | 014.0475.001 | AMSV, GSAV 322 - 402 - 502 R-L   | Rectifier 230VAC                 | 1            | 1              |        |
| 511.0043.990 | 014.0475.001 | AMSV325-405-505R, GSAV32-40-50R  | Rectifier 230VAC                 | 1            | 1              |        |
| 511.0057.990 | 014.0489.990 | GSAV 652 - 802 R                 | Rectifier 230VAC                 | 1            | 1              |        |
| 511.0058.990 | 014.0490.990 | GSAV1002 R                       | Rectifier 230VAC                 | 1            | 1              |        |
| 511.2102.001 | 014.0303.001 | GSAV15R                          | RAC coil 230 VAC                 | 1            | 1              |        |
| 511.0020.001 | 014.0049.001 | GSAV 20 - 25 R, AMSV 205 - 255 R | RAC coil 230 VAC                 | 1            | 1              |        |
| 511.0020.990 | 014.0046.001 | GSAV 20 - 25 R                   | RAC coil 230 VAC + core + spring | 1            | 1              |        |
| 511.0023.990 | 014.0280.001 | GSAV15-20-25R, AMSV205-255R      | RAC connector kit 230 VAC + LED  | 1            | 1              |        |
| 511.0026.001 | 014.0060.001 | GHAV 65 - 80                     | Actuator 230 VAC                 | 1            | 1              |        |
| 511.0027.001 | 014.0061.001 | GHAV 100                         | Actuator 230 VAC                 | 1            | 1              |        |
| 511.0028.001 | 014.0062.001 | GHAV 125 - 150                   | Actuator 230 VAC                 | 1            | 1              |        |

**SELECTION GUIDE: COILS AND CONNECTORS**

| <b>Serie</b> | <b>Attacchi</b> | <b>Bobine</b> | <b>Connettori</b> | <b>Raddrizzatore</b> |
|--------------|-----------------|---------------|-------------------|----------------------|
| GSAVO15      | 1/2"            | 014.0307.001  | 014.0277.001      | -                    |
| GSAVO15/08B  | 1/2"            | 014.0305.001  | 014.0277.001      | -                    |
| GSAV15/02B   | 1/2"            | 014.0305.001  | 014.0277.001      | -                    |
| GSAV20/02B   | 3/4 "           | 014.0306.001  | 014.0277.001      | -                    |
| GSAV25/02B   | 1"              | 014.0306.001  | 014.0277.001      | -                    |
| GSAV-R       | 1/2"            | 014.0303.001  | 014.0280.001      | -                    |
| GSAV-2R      | 3/4" - 1"       | 014.0471.001  | -                 | 014.0474.001         |
|              | 1.1/4" - 1.1/2" | 014.0472.001  | -                 | 014.0475.001         |
|              | 2"              | 014.0473.001  | -                 | 014.0475.001         |
|              | DN65-DN80       | 014.0487.001  | -                 | 014.0489.990         |
|              | DN100           | 014.0488.001  | -                 | 014.0490.990         |
| AMSV-2R      | 3/4" - 1"       | 014.0471.001  | -                 | 014.0474.001         |
|              | 1.1/4" - 1.1/2" | 014.0472.001  | -                 | 014.0475.001         |
|              | 2"              | 014.0473.001  | -                 | 014.0475.001         |
| GHAV         | DN65 - DN 80    | 014.0060.001  | -                 | -                    |
|              | DN100           | 014.0060.001  | -                 | -                    |
|              | DN125 - DN150   | 014.0060.001  | -                 | -                    |

|        | <b>Attacchi</b> | <b>Prodotti acquistati fino 31/12/2016</b> |                   | <b>Prodotti acquistati dal 01/01/2017</b> |                      |                   |
|--------|-----------------|--|-------------------|---|----------------------|-------------------|
|        |                 | <b>Bobine</b>                              | <b>Connettori</b> | <b>Bobine</b>                             | <b>Raddrizzatore</b> | <b>Connettori</b> |
| GSAV-R | 3/4" - 1"       | 014.0046.001                               | 014.0280.001      | 014.0049.001                              | -                    | 014.0280.001      |
|        | 1.1/4" - 1.1/2" | 014.0047.001 (90W)                         | 014.0280.001      | 014.0473.001                              | 014.0475.001         | -                 |
|        | 2"              | 014.0048.001                               | 014.0280.001      | 014.0473.001                              | 014.0475.001         | -                 |



**SOLENOID VALVES WITH MANUAL RESETTING**
**MSVO**

Normally open gas solenoid valve with manual resetting and threaded connections. Brass body. Coil with IP65 connector. Suitable for manufactured gas, natural gas, liquefied petroleum gas (LPG), non-aggressive gas and air. Operating temperature range: -20 to 60°C.

Max. operating pressure: 0.5 bar.

| Type    | Part number  | Connections | Description           | Q.ty/<br>Box | Box/<br>Carton | €/unit |
|---------|--------------|-------------|-----------------------|--------------|----------------|--------|
| MSVO12  | 010.0020.001 | 1/2"        | Power supply 230 VAC. | 1            | 1              |        |
| MSVO12  | 010.0020.002 | 1/2"        | Power supply 24 VAC.  | 1            | 1              |        |
| MSVO12  | 010.0020.003 | 1/2"        | Power supply 12 VDC.  | 1            | 1              |        |
| MSVO34  | 010.0021.001 | 3/4"        | Power supply 230 VAC. | 1            | 1              |        |
| MSVO34  | 010.0021.002 | 3/4"        | Power supply 24 VAC.  | 1            | 1              |        |
| MSVO34  | 010.0021.003 | 3/4"        | Power supply 12 VDC.  | 1            | 1              |        |
| MSVO100 | 010.0022.001 | 1"          | Power supply 230 VAC. | 1            | 1              |        |
| MSVO100 | 010.0022.002 | 1"          | Power supply 24 VAC.  | 1            | 1              |        |
| MSVO100 | 010.0022.003 | 1"          | Power supply 12 VDC.  | 1            | 1              |        |

Dimensions on page 343


**MSVO/6B**

Normally open gas solenoid valve with manual resetting and threaded connections. Brass body. Coil with IP65 connector. Suitable for manufactured gas, natural gas, liquefied petroleum gas (LPG), non-aggressive gas and air. Operating temperature range: -20 to 60°C.

Max. operating pressure: 6 bar.

| Type       | Part number  | Connections | Description           | Q.ty/<br>Box | Box/<br>Carton | €/unit |
|------------|--------------|-------------|-----------------------|--------------|----------------|--------|
| MSVO12/6B  | 010.0030.001 | 1/2"        | Power supply 230 VAC. | 1            | 1              |        |
| MSVO12/6B  | 010.0030.002 | 1/2"        | Power supply 24 VAC.  | 1            | 1              |        |
| MSVO12/6B  | 010.0030.003 | 1/2"        | Power supply 12 VDC.  | 1            | 1              |        |
| MSVO34/6B  | 010.0031.001 | 3/4"        | Power supply 230 VAC. | 1            | 1              |        |
| MSVO34/6B  | 010.0031.002 | 3/4"        | Power supply 24 VAC.  | 1            | 1              |        |
| MSVO34/6B  | 010.0031.003 | 3/4"        | Power supply 12 VDC.  | 1            | 1              |        |
| MSVO100/6B | 010.0032.001 | 1"          | Power supply 230 VAC. | 1            | 1              |        |
| MSVO100/6B | 010.0032.002 | 1"          | Power supply 24 VAC.  | 1            | 1              |        |
| MSVO100/6B | 010.0032.003 | 1"          | Power supply 12 VDC.  | 1            | 1              |        |

Dimensions on page 343



**EVO**

Normally closed gas solenoid valve with manual resetting and threaded connections. Brass body. Coil with IP65 connector. Suitable for manufactured gas, natural gas, liquefied petroleum gas (LPG), non-aggressive gas and air. Operating temperature range: -20 to 60°C. Max. operating pressure: 0.5 bar.



| Type  | Part number  | Connections | Description           | Q.ty/Box | Box/ Carton | €/unit |
|-------|--------------|-------------|-----------------------|----------|-------------|--------|
| EVO15 | 010.0040.001 | 1/2"        | Power supply 230 VAC. | 1        | 1           |        |
| EVO15 | 010.0040.002 | 1/2"        | Power supply 24 VAC.  | 1        | 1           |        |
| EVO15 | 010.0040.003 | 1/2"        | Power supply 12 VDC.  | 1        | 1           |        |
| EVO20 | 010.0041.001 | 3/4"        | Power supply 230 VAC. | 1        | 1           |        |
| EVO20 | 010.0041.002 | 3/4"        | Power supply 24 VAC.  | 1        | 1           |        |
| EVO20 | 010.0041.003 | 3/4"        | Power supply 12 VDC.  | 1        | 1           |        |
| EVO25 | 010.0042.001 | 1"          | Power supply 230 VAC. | 1        | 1           |        |
| EVO25 | 010.0042.002 | 1"          | Power supply 24 VAC.  | 1        | 1           |        |
| EVO25 | 010.0042.003 | 1"          | Power supply 12 VDC.  | 1        | 1           |        |

Dimensions on page 343

**EVO/6B**

Normally closed gas solenoid valve with manual resetting and threaded connections. Brass body. Coil with IP65 connector. Suitable for manufactured gas, natural gas, liquefied petroleum gas (LPG), non-aggressive gas and air. Operating temperature range: -20 to 60°C. Max. operating pressure: 6 bar.



| Type     | Part number  | Connections | Description           | Q.ty/Box | Box/ Carton | €/unit |
|----------|--------------|-------------|-----------------------|----------|-------------|--------|
| EVO15/6B | 010.0050.001 | 1/2"        | Power supply 230 VAC. | 1        | 1           |        |
| EVO15/6B | 010.0050.002 | 1/2"        | Power supply 24 VAC.  | 1        | 1           |        |
| EVO15/6B | 010.0050.003 | 1/2"        | Power supply 12 VDC.  | 1        | 1           |        |
| EVO20/6B | 010.0051.001 | 3/4"        | Power supply 230 VAC. | 1        | 1           |        |
| EVO20/6B | 010.0051.002 | 3/4"        | Power supply 24 VAC.  | 1        | 1           |        |
| EVO20/6B | 010.0051.003 | 3/4"        | Power supply 12 VDC.  | 1        | 1           |        |
| EVO25/6B | 010.0052.001 | 1"          | Power supply 230 VAC. | 1        | 1           |        |
| EVO25/6B | 010.0052.002 | 1"          | Power supply 24 VAC.  | 1        | 1           |        |
| EVO25/6B | 010.0052.003 | 1"          | Power supply 12 VDC.  | 1        | 1           |        |

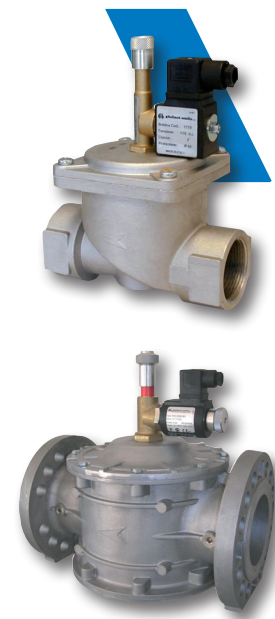
Dimensions on page 343



**MSV**

Normally open gas solenoid valve with manual resetting. Aluminium body. Coil with IP65 connector. Suitable for manufactured gas, natural gas, liquefied petroleum gas (LPG), non-aggressive gas and air. Operating temperature range: -20 to 60°C. Max. operating pressure: 0.5 bar.

| Type    | Part number  | Connections | Description             | Q.ty/<br>Box | Box/<br>Carton | €/unit |
|---------|--------------|-------------|-------------------------|--------------|----------------|--------|
| MSV12   | 010.0080.001 | 1/2"        | Power supply 230 VAC.   | 1            | 1              |        |
| MSV12   | 010.0080.002 | 1/2"        | Power supply 24 VAC.    | 1            | 1              |        |
| MSV12   | 010.0080.003 | 1/2"        | Power supply 12 VDC.    | 1            | 1              |        |
| MSV34   | 010.0081.001 | 3/4"        | Power supply 230 VAC.   | 1            | 1              |        |
| MSV34   | 010.0081.002 | 3/4"        | Power supply 24 VAC.    | 1            | 1              |        |
| MSV34   | 010.0081.003 | 3/4"        | Power supply 12 VDC.    | 1            | 1              |        |
| MSV100  | 010.0082.001 | 1"          | Power supply 230 VAC.   | 1            | 1              |        |
| MSV100  | 010.0082.002 | 1"          | Power supply 24 VAC.    | 1            | 1              |        |
| MSV100  | 010.0082.003 | 1"          | Power supply 12 VDC.    | 1            | 1              |        |
| MSV114  | 010.0083.001 | 1.1/4"      | Power supply 230 VAC.   | 1            | 1              |        |
| MSV114  | 010.0083.002 | 1.1/4"      | Power supply 24 VAC.    | 1            | 1              |        |
| MSV114  | 010.0083.003 | 1.1/4"      | Power supply 12 VDC.    | 1            | 1              |        |
| MSV112  | 010.0084.001 | 1.1/2"      | Power supply 230 VAC.   | 1            | 1              |        |
| MSV112  | 010.0084.002 | 1.1/2"      | Power supply 24 VAC.    | 1            | 1              |        |
| MSV112  | 010.0084.003 | 1.1/2"      | Power supply 12 VDC.    | 1            | 1              |        |
| MSV112F | 010.0084.011 | DN40        | Power supply 230 VAC.   | 1            | 1              |        |
| MSV112F | 010.0084.012 | DN40        | Power supply 24 VAC.    | 1            | 1              |        |
| MSV112F | 010.0084.013 | DN40        | Power supply 12 VDC.    | 1            | 1              |        |
| MSV200  | 010.0085.001 | 2"          | Power supply 230 VAC.   | 1            | 1              |        |
| MSV200  | 010.0085.002 | 2"          | Power supply 24 VAC.    | 1            | 1              |        |
| MSV200  | 010.0085.003 | 2"          | Power supply 12 VDC.    | 1            | 1              |        |
| MSV200F | 010.0085.011 | DN50        | Power supply 230 VAC.   | 1            | 1              |        |
| MSV200F | 010.0085.012 | DN50        | Power supply 24 VAC.    | 1            | 1              |        |
| MSV200F | 010.0085.013 | DN50        | Power supply 12 VDC.    | 1            | 1              |        |
| MSV212  | 010.0086.101 | DN65        | Power supply 230 VAC.   | 1            | 1              |        |
| MSV212  | 010.0086.102 | DN65        | Power supply 24 VAC.    | 1            | 1              |        |
| MSV212  | 010.0086.103 | DN65        | Power supply 24 VDC.    | 1            | 1              |        |
| MSV212  | 010.0086.104 | DN65        | Power supply 12 VDC.    | 1            | 1              |        |
| MSV300  | 010.0087.101 | DN80        | Power supply 230 VAC.   | 1            | 1              |        |
| MSV300  | 010.0087.102 | DN80        | Power supply 24 VAC.    | 1            | 1              |        |
| MSV300  | 010.0087.103 | DN80        | Power supply 24 VDC.    | 1            | 1              |        |
| MSV300  | 010.0087.104 | DN80        | Power supply 12 VDC.    | 1            | 1              |        |
| MSV400  | 010.0088.001 | DN100       | Power supply 230 VAC.   | 1            | 1              |        |
| MSV400  | 010.0088.002 | DN100       | Power supply 24 VAC.    | 1            | 1              |        |
| MSV400  | 010.0088.003 | DN100       | Power supply 24 VDC.    | 1            | 1              |        |
| MSV400  | 010.0088.004 | DN100       | Power supply 12 VDC.    | 1            | 1              |        |
| MSV500  | 010.0089.001 | DN125       | Power supply 230 VAC.   | 1            | 1              |        |
| MSV500  | 010.0089.002 | DN125       | Power supply 24 VAC/VDC | 1            | 1              |        |
| MSV500  | 010.0089.003 | DN125       | Power supply 12 VDC.    | 1            | 1              |        |
| MSV600  | 010.0090.001 | DN150       | Power supply 230 VAC.   | 1            | 1              |        |
| MSV600  | 010.0090.002 | DN150       | Power supply 24 VAC/VDC | 1            | 1              |        |
| MSV600  | 010.0090.003 | DN150       | Power supply 12 VDC.    | 1            | 1              |        |
| MSV800  | 010.0091.001 | DN200       | Power supply 230 VAC.   | 1            | 1              |        |
| MSV800  | 010.0091.002 | DN200       | Power supply 24 VAC/VDC | 1            | 1              |        |
| MSV800  | 010.0091.003 | DN200       | Power supply 12 VDC.    | 1            | 1              |        |
| MSV1200 | 010.0092.001 | DN300       | Power supply 230 VAC.   | 1            | 1              |        |
| MSV1200 | 010.0092.002 | DN300       | Power supply 24 VAC/VDC | 1            | 1              |        |
| MSV1200 | 010.0092.003 | DN300       | Power supply 12 VDC.    | 1            | 1              |        |



Dimensions on page 342

**MSV/6B**

Normally open gas solenoid valve with manual resetting. Aluminium body. Coil with IP65 connector. Suitable for manufactured gas, natural gas, liquefied petroleum gas (LPG), non-aggressive gas and air. Operating temperature range: -20 to 60°C. Max. operating pressure: 6 bar.



| Type       | Part number  | Connections | Description             | Q.ty/ Box | Box/ Carton | €/unit |
|------------|--------------|-------------|-------------------------|-----------|-------------|--------|
| MSV12/6B   | 010.0120.001 | 1/2"        | Power supply 230 VAC.   | 1         | 1           |        |
| MSV12/6B   | 010.0120.002 | 1/2"        | Power supply 24 VAC.    | 1         | 1           |        |
| MSV12/6B   | 010.0120.003 | 1/2"        | Power supply 12 VDC.    | 1         | 1           |        |
| MSV34/6B   | 010.0121.001 | 3/4"        | Power supply 230 VAC.   | 1         | 1           |        |
| MSV34/6B   | 010.0121.002 | 3/4"        | Power supply 24 VAC.    | 1         | 1           |        |
| MSV34/6B   | 010.0121.003 | 3/4"        | Power supply 12 VDC.    | 1         | 1           |        |
| MSV100/6B  | 010.0122.001 | 1"          | Power supply 230 VAC.   | 1         | 1           |        |
| MSV100/6B  | 010.0122.002 | 1"          | Power supply 24 VAC.    | 1         | 1           |        |
| MSV100/6B  | 010.0122.003 | 1"          | Power supply 12 VDC.    | 1         | 1           |        |
| MSV114/6B  | 010.0123.001 | 1.1/4"      | Power supply 230 VAC.   | 1         | 1           |        |
| MSV114/6B  | 010.0123.002 | 1.1/4"      | Power supply 24 VAC.    | 1         | 1           |        |
| MSV114/6B  | 010.0123.003 | 1.1/4"      | Power supply 12 VDC.    | 1         | 1           |        |
| MSV112/6B  | 010.0124.001 | 1.1/2"      | Power supply 230 VAC.   | 1         | 1           |        |
| MSV112/6B  | 010.0124.002 | 1.1/2"      | Power supply 24 VAC.    | 1         | 1           |        |
| MSV112/6B  | 010.0124.003 | 1.1/2"      | Power supply 12 VDC.    | 1         | 1           |        |
| MSV112/6BF | 010.0124.011 | DN40        | Power supply 230 VAC.   | 1         | 1           |        |
| MSV112/6BF | 010.0124.012 | DN40        | Power supply 24 VAC.    | 1         | 1           |        |
| MSV112/6BF | 010.0124.013 | DN40        | Power supply 12 VDC.    | 1         | 1           |        |
| MSV200/6B  | 010.0125.001 | 2"          | Power supply 230 VAC.   | 1         | 1           |        |
| MSV200/6B  | 010.0125.002 | 2"          | Power supply 24 VAC.    | 1         | 1           |        |
| MSV200/6B  | 010.0125.003 | 2"          | Power supply 12 VDC.    | 1         | 1           |        |
| MSV200/6BF | 010.0125.011 | DN50        | Power supply 230 VAC.   | 1         | 1           |        |
| MSV200/6BF | 010.0125.012 | DN50        | Power supply 24 VAC.    | 1         | 1           |        |
| MSV200/6BF | 010.0125.013 | DN50        | Power supply 12 VDC.    | 1         | 1           |        |
| MSV212/6B  | 010.0126.101 | DN65        | Power supply 230 VAC.   | 1         | 1           |        |
| MSV212/6B  | 010.0126.102 | DN65        | Power supply 24 VAC.    | 1         | 1           |        |
| MSV212/6B  | 010.0126.103 | DN65        | Power supply 24 VDC.    | 1         | 1           |        |
| MSV212/6B  | 010.0126.104 | DN65        | Power supply 12 VDC.    | 1         | 1           |        |
| MSV300/6B  | 010.0127.101 | DN80        | Power supply 230 VAC.   | 1         | 1           |        |
| MSV300/6B  | 010.0127.102 | DN80        | Power supply 24 VAC.    | 1         | 1           |        |
| MSV300/6B  | 010.0127.103 | DN80        | Power supply 24 VDC.    | 1         | 1           |        |
| MSV300/6B  | 010.0127.104 | DN80        | Power supply 12 VDC.    | 1         | 1           |        |
| MSV400/6B  | 010.0128.001 | DN100       | Power supply 230 VAC.   | 1         | 1           |        |
| MSV400/6B  | 010.0128.002 | DN100       | Power supply 24 VAC.    | 1         | 1           |        |
| MSV400/6B  | 010.0128.003 | DN100       | Power supply 24 VDC.    | 1         | 1           |        |
| MSV400/6B  | 010.0128.004 | DN100       | Power supply 12 VDC.    | 1         | 1           |        |
| MSV500/6B  | 010.0129.001 | DN125       | Power supply 230 VAC.   | 1         | 1           |        |
| MSV500/6B  | 010.0129.002 | DN125       | Power supply 24 VAC/VDC | 1         | 1           |        |
| MSV500/6B  | 010.0129.003 | DN125       | Power supply 12 VDC.    | 1         | 1           |        |
| MSV600/6B  | 010.0130.001 | DN150       | Power supply 230 VAC.   | 1         | 1           |        |
| MSV600/6B  | 010.0130.002 | DN150       | Power supply 24 VAC/VDC | 1         | 1           |        |
| MSV600/6B  | 010.0130.003 | DN150       | Power supply 12 VDC.    | 1         | 1           |        |
| MSV800/6B  | 010.0131.001 | DN200       | Power supply 230 VAC.   | 1         | 1           |        |
| MSV800/6B  | 010.0131.002 | DN200       | Power supply 24 VAC/VDC | 1         | 1           |        |
| MSV800/6B  | 010.0131.003 | DN200       | Power supply 12 VDC.    | 1         | 1           |        |
| MSV1200/6B | 010.0132.001 | DN300       | Power supply 230 VAC.   | 1         | 1           |        |
| MSV1200/6B | 010.0132.002 | DN300       | Power supply 24 VAC/VDC | 1         | 1           |        |
| MSV1200/6B | 010.0132.003 | DN300       | Power supply 12 VDC.    | 1         | 1           |        |

Dimensions on page 342

**EV**

Normally closed gas solenoid valve with manual resetting. Aluminium body. Coil with IP65 connector. Suitable for manufactured gas, natural gas, liquefied petroleum gas (LPG), non-aggressive gas and air. Operating temperature range: -20 to 60°C. Max. operating pressure: 0.5 bar.

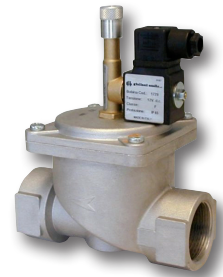
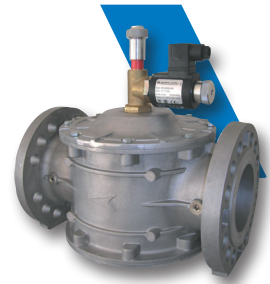


| Type  | Part number  | Connections | Description             | Q.ty/<br>Box | Box/<br>Carton | €/unit |
|-------|--------------|-------------|-------------------------|--------------|----------------|--------|
| EV15  | 010.0180.001 | 1/2"        | Power supply 230 VAC.   | 1            | 1              |        |
| EV15  | 010.0180.002 | 1/2"        | Power supply 24 VAC.    | 1            | 1              |        |
| EV15  | 010.0180.003 | 1/2"        | Power supply 12 VDC.    | 1            | 1              |        |
| EV20  | 010.0181.001 | 3/4"        | Power supply 230 VAC.   | 1            | 1              |        |
| EV20  | 010.0181.002 | 3/4"        | Power supply 24 VAC.    | 1            | 1              |        |
| EV20  | 010.0181.003 | 3/4"        | Power supply 12 VDC.    | 1            | 1              |        |
| EV25  | 010.0182.001 | 1"          | Power supply 230 VAC.   | 1            | 1              |        |
| EV25  | 010.0182.002 | 1"          | Power supply 24 VAC.    | 1            | 1              |        |
| EV25  | 010.0182.003 | 1"          | Power supply 12 VDC.    | 1            | 1              |        |
| EV32  | 010.0183.001 | 1.1/4"      | Power supply 230 VAC.   | 1            | 1              |        |
| EV32  | 010.0183.002 | 1.1/4"      | Power supply 24 VAC.    | 1            | 1              |        |
| EV32  | 010.0183.003 | 1.1/4"      | Power supply 12 VDC.    | 1            | 1              |        |
| EV40  | 010.0184.001 | 1.1/2"      | Power supply 230 VAC.   | 1            | 1              |        |
| EV40  | 010.0184.002 | 1.1/2"      | Power supply 24 VAC.    | 1            | 1              |        |
| EV40  | 010.0184.003 | 1.1/2"      | Power supply 12 VDC.    | 1            | 1              |        |
| EV40F | 010.0184.011 | DN40        | Power supply 230 VAC.   | 1            | 1              |        |
| EV40F | 010.0184.012 | DN40        | Power supply 24 VAC.    | 1            | 1              |        |
| EV40F | 010.0184.013 | DN40        | Power supply 12 VDC.    | 1            | 1              |        |
| EV50  | 010.0185.001 | 2"          | Power supply 230 VAC.   | 1            | 1              |        |
| EV50  | 010.0185.002 | 2"          | Power supply 24 VAC.    | 1            | 1              |        |
| EV50  | 010.0185.003 | 2"          | Power supply 12 VDC.    | 1            | 1              |        |
| EV50F | 010.0185.011 | DN50        | Power supply 230 VAC.   | 1            | 1              |        |
| EV50F | 010.0185.012 | DN50        | Power supply 24 VAC.    | 1            | 1              |        |
| EV50F | 010.0185.013 | DN50        | Power supply 12 VDC.    | 1            | 1              |        |
| EV65  | 010.0186.101 | DN65        | Power supply 230 VAC.   | 1            | 1              |        |
| EV65  | 010.0186.102 | DN65        | Power supply 24 VAC.    | 1            | 1              |        |
| EV65  | 010.0186.103 | DN65        | Power supply 24 VDC.    | 1            | 1              |        |
| EV65  | 010.0186.104 | DN65        | Power supply 12 VDC.    | 1            | 1              |        |
| EV80  | 010.0187.101 | DN80        | Power supply 230 VAC.   | 1            | 1              |        |
| EV80  | 010.0187.102 | DN80        | Power supply 24 VAC.    | 1            | 1              |        |
| EV80  | 010.0187.103 | DN80        | Power supply 24 VDC.    | 1            | 1              |        |
| EV80  | 010.0187.104 | DN80        | Power supply 12 VDC.    | 1            | 1              |        |
| EV100 | 010.0188.001 | DN100       | Power supply 230 VAC.   | 1            | 1              |        |
| EV100 | 010.0188.002 | DN100       | Power supply 24 VAC.    | 1            | 1              |        |
| EV100 | 010.0188.003 | DN100       | Power supply 24 VDC.    | 1            | 1              |        |
| EV100 | 010.0188.004 | DN100       | Power supply 12 VDC.    | 1            | 1              |        |
| EV125 | 010.0189.001 | DN125       | Power supply 230 VAC.   | 1            | 1              |        |
| EV125 | 010.0189.002 | DN125       | Power supply 24 VAC/VDC | 1            | 1              |        |
| EV125 | 010.0189.003 | DN125       | Power supply 12 VDC.    | 1            | 1              |        |
| EV150 | 010.0190.001 | DN150       | Power supply 230 VAC.   | 1            | 1              |        |
| EV150 | 010.0190.002 | DN150       | Power supply 24 VAC/VDC | 1            | 1              |        |
| EV150 | 010.0190.003 | DN150       | Power supply 12 VDC.    | 1            | 1              |        |
| EV200 | 010.0191.001 | DN200       | Power supply 230 VAC.   | 1            | 1              |        |
| EV200 | 010.0191.002 | DN200       | Power supply 24 VAC/VDC | 1            | 1              |        |
| EV200 | 010.0191.003 | DN200       | Power supply 12 VDC.    | 1            | 1              |        |
| EV300 | 010.0192.001 | DN300       | Power supply 230 VAC.   | 1            | 1              |        |
| EV300 | 010.0192.002 | DN300       | Power supply 24 VAC/VDC | 1            | 1              |        |
| EV300 | 010.0192.003 | DN300       | Power supply 12 VDC.    | 1            | 1              |        |

Dimensions on page 342

**EV/6B**

Normally closed gas solenoid valve with manual resetting. Aluminium body. Coil with IP65 connector. Suitable for manufactured gas, natural gas, liquefied petroleum gas (LPG), non-aggressive gas and air. Operating temperature range: -20 to 60°C. Max. operating pressure: 6 bar.



| Type     | Part number  | Connections | Description             | Q.ty/ Box | Box/ Carton | €/unit |
|----------|--------------|-------------|-------------------------|-----------|-------------|--------|
| EV15/6B  | 010.0220.001 | 1/2"        | Power supply 230 VAC.   | 1         | 1           |        |
| EV15/6B  | 010.0220.002 | 1/2"        | Power supply 24 VAC.    | 1         | 1           |        |
| EV15/6B  | 010.0220.003 | 1/2"        | Power supply 12 VDC.    | 1         | 1           |        |
| EV20/6B  | 010.0221.001 | 3/4"        | Power supply 230 VAC.   | 1         | 1           |        |
| EV20/6B  | 010.0221.002 | 3/4"        | Power supply 24 VAC.    | 1         | 1           |        |
| EV20/6B  | 010.0221.003 | 3/4"        | Power supply 12 VDC.    | 1         | 1           |        |
| EV25/6B  | 010.0222.001 | 1"          | Power supply 230 VAC.   | 1         | 1           |        |
| EV25/6B  | 010.0222.002 | 1"          | Power supply 24 VAC.    | 1         | 1           |        |
| EV25/6B  | 010.0222.003 | 1"          | Power supply 12 VDC.    | 1         | 1           |        |
| EV32/6B  | 010.0223.001 | 1.1/4"      | Power supply 230 VAC.   | 1         | 1           |        |
| EV32/6B  | 010.0223.002 | 1.1/4"      | Power supply 24 VAC.    | 1         | 1           |        |
| EV32/6B  | 010.0223.003 | 1.1/4"      | Power supply 12 VDC.    | 1         | 1           |        |
| EV40/6B  | 010.0224.001 | 1.1/2"      | Power supply 230 VAC.   | 1         | 1           |        |
| EV40/6B  | 010.0224.002 | 1.1/2"      | Power supply 24 VAC.    | 1         | 1           |        |
| EV40/6B  | 010.0224.003 | 1.1/2"      | Power supply 12 VDC.    | 1         | 1           |        |
| EV40/6BF | 010.0224.011 | DN40        | Power supply 230 VAC.   | 1         | 1           |        |
| EV40/6BF | 010.0224.012 | DN40        | Power supply 24 VAC.    | 1         | 1           |        |
| EV40/6BF | 010.0224.013 | DN40        | Power supply 12 VDC.    | 1         | 1           |        |
| EV50/6B  | 010.0225.001 | 2"          | Power supply 230 VAC.   | 1         | 1           |        |
| EV50/6B  | 010.0225.002 | 2"          | Power supply 24 VAC.    | 1         | 1           |        |
| EV50/6B  | 010.0225.003 | 2"          | Power supply 12 VDC.    | 1         | 1           |        |
| EV50/6BF | 010.0225.011 | DN50        | Power supply 230 VAC.   | 1         | 1           |        |
| EV50/6BF | 010.0225.012 | DN50        | Power supply 24 VAC.    | 1         | 1           |        |
| EV50/6BF | 010.0225.013 | DN50        | Power supply 12 VDC.    | 1         | 1           |        |
| EV65/6B  | 010.0226.101 | DN65        | Power supply 230 VAC.   | 1         | 1           |        |
| EV65/6B  | 010.0226.102 | DN65        | Power supply 24 VAC.    | 1         | 1           |        |
| EV65/6B  | 010.0226.103 | DN65        | Power supply 24 VDC.    | 1         | 1           |        |
| EV65/6B  | 010.0226.104 | DN65        | Power supply 12 VDC.    | 1         | 1           |        |
| EV80/6B  | 010.0227.101 | DN80        | Power supply 230 VAC.   | 1         | 1           |        |
| EV80/6B  | 010.0227.102 | DN80        | Power supply 24 VAC.    | 1         | 1           |        |
| EV80/6B  | 010.0227.103 | DN80        | Power supply 24 VDC.    | 1         | 1           |        |
| EV80/6B  | 010.0227.104 | DN80        | Power supply 12 VDC.    | 1         | 1           |        |
| EV100/6B | 010.0228.001 | DN100       | Power supply 230 VAC.   | 1         | 1           |        |
| EV100/6B | 010.0228.002 | DN100       | Power supply 24 VAC.    | 1         | 1           |        |
| EV100/6B | 010.0228.003 | DN100       | Power supply 24 VDC.    | 1         | 1           |        |
| EV100/6B | 010.0228.004 | DN100       | Power supply 12 VDC.    | 1         | 1           |        |
| EV125/6B | 010.0229.001 | DN125       | Power supply 230 VAC.   | 1         | 1           |        |
| EV125/6B | 010.0229.002 | DN125       | Power supply 24 VAC/VDC | 1         | 1           |        |
| EV125/6B | 010.0229.003 | DN125       | Power supply 12 VDC.    | 1         | 1           |        |
| EV150/6B | 010.0230.001 | DN150       | Power supply 230 VAC.   | 1         | 1           |        |
| EV150/6B | 010.0230.002 | DN150       | Power supply 24 VAC/VDC | 1         | 1           |        |
| EV150/6B | 010.0230.003 | DN150       | Power supply 12 VDC.    | 1         | 1           |        |
| EV200/6B | 010.0231.001 | DN200       | Power supply 230 VAC.   | 1         | 1           |        |
| EV200/6B | 010.0231.001 | DN200       | Power supply 24 VAC/VDC | 1         | 1           |        |
| EV200/6B | 010.0231.001 | DN200       | Power supply 12 VDC.    | 1         | 1           |        |
| EV300/6B | 010.0232.001 | DN300       | Power supply 230 VAC.   | 1         | 1           |        |
| EV300/6B | 010.0232.001 | DN300       | Power supply 24 VAC/VDC | 1         | 1           |        |
| EV300/6B | 010.0232.001 | DN300       | Power supply 12 VDC.    | 1         | 1           |        |

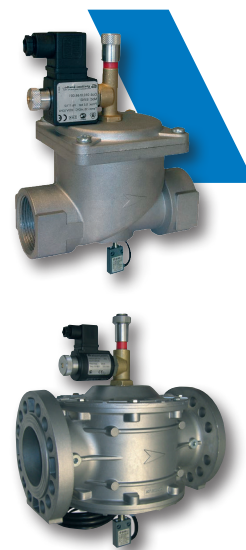
Dimensions on page 342

**MSVM/6B**

Normally open gas solenoid valve with manual resetting. Aluminium body. Coil with IP65 connector. Suitable for manufactured gas, natural gas, liquefied petroleum gas (LPG), non-aggressive gas and air. Operating temperature range: -20 to 60°C. Max. operating pressure: 6 bar. Version with limit micro-switch for checking open/closed status.

| Type       | Part number  | Connections | Description           | Q.ty/<br>Box | Box/Car-<br>ton | €/unit |
|------------|--------------|-------------|-----------------------|--------------|-----------------|--------|
| MSVM34/6B  | 010.0136.001 | 3/4"        | Power supply 230 VAC. | 1            | 1               |        |
| MSVM100/6B | 010.0137.001 | 1"          | Power supply 230 VAC. | 1            | 1               |        |
| MSVM114/6B | 010.0138.001 | 1.1/4"      | Power supply 230 VAC. | 1            | 1               |        |
| MSVM112/6B | 010.0139.001 | 1.1/2"      | Power supply 230 VAC. | 1            | 1               |        |
| MSVM200/6B | 010.0140.001 | 2"          | Power supply 230 VAC. | 1            | 1               |        |
| MSVM212/6B | 010.0141.001 | DN65        | Power supply 230 VAC. | 1            | 1               |        |
| MSVM300/6B | 010.0142.101 | DN80        | Power supply 230 VAC. | 1            | 1               |        |
| MSVM400/6B | 010.0143.001 | DN100       | Power supply 230 VAC. | 1            | 1               |        |
| MSVM500/6B | 010.0144.001 | DN125       | Power supply 230 VAC. | 1            | 1               |        |
| MSVM600/6B | 010.0145.001 | DN150       | Power supply 230 VAC. | 1            | 1               |        |

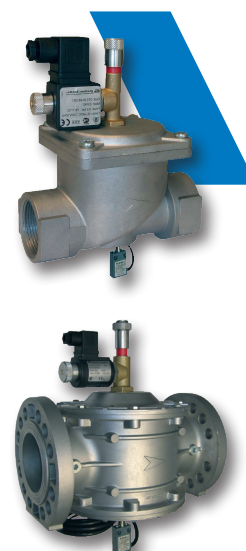
Dimensions on page 343


**EVM/6B**

Normally closed gas solenoid valve with manual resetting. Aluminium body. Coil with IP65 connector. Suitable for manufactured gas, natural gas, liquefied petroleum gas (LPG), non-aggressive gas and air. Operating temperature range: -20 to 60°C. Max. operating pressure: 6 bar. Version with limit micro-switch for checking open/closed status.

| Type      | Part number  | Connections | Description           | Q.ty/<br>Box | Box/Car-<br>ton | €/unit |
|-----------|--------------|-------------|-----------------------|--------------|-----------------|--------|
| EVM20/6B  | 010.0236.001 | 3/4"        | Power supply 230 VAC. | 1            | 1               |        |
| EVM25/6B  | 010.0237.001 | 1"          | Power supply 230 VAC. | 1            | 1               |        |
| EVM32/6B  | 010.0238.001 | 1.1/4"      | Power supply 230 VAC. | 1            | 1               |        |
| EVM40/6B  | 010.0239.001 | 1.1/2"      | Power supply 230 VAC. | 1            | 1               |        |
| EVM50/6B  | 010.0240.001 | 2"          | Power supply 230 VAC. | 1            | 1               |        |
| EVM65/6B  | 010.0241.101 | DN65        | Power supply 230 VAC. | 1            | 1               |        |
| EVM80/6B  | 010.0242.101 | DN80        | Power supply 230 VAC. | 1            | 1               |        |
| EVM100/6B | 010.0243.001 | DN100       | Power supply 230 VAC. | 1            | 1               |        |
| EVM125/6B | 010.0244.001 | DN125       | Power supply 230 VAC. | 1            | 1               |        |
| EVM150/6B | 010.0245.001 | DN150       | Power supply 230 VAC. | 1            | 1               |        |

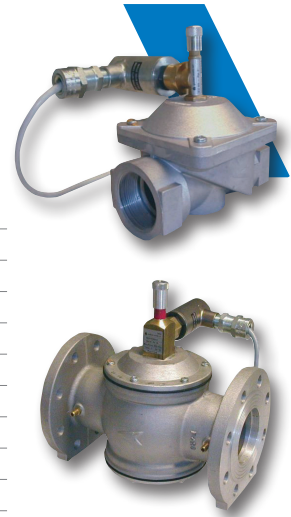
Dimensions on page 343





**MSV/6BEEXD**

Normally open gas solenoid valve with manual resetting. Aluminium body. Coil with IP67 connector. Suitable for manufactured gas, natural gas, liquefied petroleum gas (LPG), non-aggressive gas and air. Operating temperature range: -20 to 60°C. Max. operating pressure: 6 bar. Explosion-proof version with EExd coil.

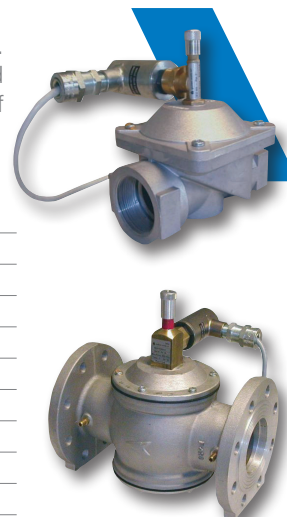


| Type          | Part number  | Connections | Description           | Q.ty/Box | Box/Cartron | €/unit |
|---------------|--------------|-------------|-----------------------|----------|-------------|--------|
| MSV12/6BEEXD  | 010.0320.001 | 1/2"        | Power supply 230 VAC. | 1        | 1           |        |
| MSV12/6BEEXD  | 010.0320.002 | 1/2"        | Power supply 24 VAC.  | 1        | 1           |        |
| MSV12/6BEEXD  | 010.0320.003 | 1/2"        | Power supply 24 VDC.  | 1        | 1           |        |
| MSV12/6BEEXD  | 010.0320.004 | 1/2"        | Power supply 12 VDC.  | 1        | 1           |        |
| MSV34/6BEEXD  | 010.0321.001 | 3/4"        | Power supply 230 VAC. | 1        | 1           |        |
| MSV34/6BEEXD  | 010.0321.002 | 3/4"        | Power supply 24 VAC.  | 1        | 1           |        |
| MSV34/6BEEXD  | 010.0321.003 | 3/4"        | Power supply 24 VDC.  | 1        | 1           |        |
| MSV34/6BEEXD  | 010.0321.004 | 3/4"        | Power supply 12 VDC.  | 1        | 1           |        |
| MSV100/6BEEXD | 010.0322.001 | 1"          | Power supply 230 VAC. | 1        | 1           |        |
| MSV100/6BEEXD | 010.0322.002 | 1"          | Power supply 24 VAC.  | 1        | 1           |        |
| MSV100/6BEEXD | 010.0322.003 | 1"          | Power supply 24 VDC.  | 1        | 1           |        |
| MSV100/6BEEXD | 010.0322.004 | 1"          | Power supply 12 VDC.  | 1        | 1           |        |
| MSV114/6BEEXD | 010.0323.001 | 1.1/4"      | Power supply 230 VAC. | 1        | 1           |        |
| MSV114/6BEEXD | 010.0323.002 | 1.1/4"      | Power supply 24 VAC.  | 1        | 1           |        |
| MSV114/6BEEXD | 010.0323.003 | 1.1/4"      | Power supply 24 VDC.  | 1        | 1           |        |
| MSV114/6BEEXD | 010.0323.004 | 1.1/4"      | Power supply 12 VDC.  | 1        | 1           |        |
| MSV112/6BEEXD | 010.0324.001 | 1.1/2"      | Power supply 230 VAC. | 1        | 1           |        |
| MSV112/6BEEXD | 010.0324.002 | 1.1/2"      | Power supply 24 VAC.  | 1        | 1           |        |
| MSV112/6BEEXD | 010.0324.003 | 1.1/2"      | Power supply 24 VDC.  | 1        | 1           |        |
| MSV112/6BEEXD | 010.0324.004 | 1.1/2"      | Power supply 12 VDC.  | 1        | 1           |        |
| MSV200/6BEEXD | 010.0325.001 | 2"          | Power supply 230 VAC. | 1        | 1           |        |
| MSV200/6BEEXD | 010.0325.002 | 2"          | Power supply 24 VAC.  | 1        | 1           |        |
| MSV200/6BEEXD | 010.0325.003 | 2"          | Power supply 24 VDC.  | 1        | 1           |        |
| MSV200/6BEEXD | 010.0325.004 | 2"          | Power supply 12 VDC.  | 1        | 1           |        |
| MSV212/6BEEXD | 010.0326.101 | DN65        | Power supply 230 VAC. | 1        | 1           |        |
| MSV212/6BEEXD | 010.0326.102 | DN65        | Power supply 24 VAC.  | 1        | 1           |        |
| MSV212/6BEEXD | 010.0326.103 | DN65        | Power supply 24 VDC.  | 1        | 1           |        |
| MSV212/6BEEXD | 010.0326.104 | DN65        | Power supply 12 VDC.  | 1        | 1           |        |
| MSV300/6BEEXD | 010.0327.101 | DN80        | Power supply 230 VAC. | 1        | 1           |        |
| MSV300/6BEEXD | 010.0327.102 | DN80        | Power supply 24 VAC.  | 1        | 1           |        |
| MSV300/6BEEXD | 010.0327.103 | DN80        | Power supply 24 VDC.  | 1        | 1           |        |
| MSV300/6BEEXD | 010.0327.104 | DN80        | Power supply 12 VDC.  | 1        | 1           |        |
| MSV400/6BEEXD | 010.0328.001 | DN100       | Power supply 230 VAC. | 1        | 1           |        |
| MSV400/6BEEXD | 010.0328.002 | DN100       | Power supply 24 VAC.  | 1        | 1           |        |
| MSV400/6BEEXD | 010.0328.003 | DN100       | Power supply 24 VDC.  | 1        | 1           |        |
| MSV400/6BEEXD | 010.0328.004 | DN100       | Power supply 12 VDC.  | 1        | 1           |        |
| MSV500/6BEEXD | 010.0329.001 | DN125       | Power supply 230 VAC. | 1        | 1           |        |
| MSV500/6BEEXD | 010.0329.002 | DN125       | Power supply 24 VAC.  | 1        | 1           |        |
| MSV500/6BEEXD | 010.0329.003 | DN125       | Power supply 24 VDC.  | 1        | 1           |        |
| MSV500/6BEEXD | 010.0329.004 | DN125       | Power supply 12 VDC.  | 1        | 1           |        |
| MSV600/6BEEXD | 010.0330.001 | DN150       | Power supply 230 VAC. | 1        | 1           |        |
| MSV600/6BEEXD | 010.0330.002 | DN150       | Power supply 24 VAC.  | 1        | 1           |        |
| MSV600/6BEEXD | 010.0330.003 | DN150       | Power supply 24 VDC.  | 1        | 1           |        |
| MSV600/6BEEXD | 010.0330.004 | DN150       | Power supply 12 VDC.  | 1        | 1           |        |

Dimensions on page 343

**EV/6BEEXD**

Normally closed gas solenoid valve with manual resetting. Aluminium body. Coil with IP67 connector. Suitable for manufactured gas, natural gas, liquefied petroleum gas (LPG), non-aggressive gas and air. Operating temperature range: -20 to 60°C. Max. operating pressure: 6 bar. Explosion-proof version with EExd coil.



| Type         | Part number  | Connections | Description           | Q.ty/<br>Box | Box/<br>Carton | €/unit |
|--------------|--------------|-------------|-----------------------|--------------|----------------|--------|
| EV15/6BEEXD  | 010.0420.001 | 1/2"        | Power supply 230 VAC. | 1            | 1              |        |
| EV15/6BEEXD  | 010.0420.002 | 1/2"        | Power supply 24 VAC.  | 1            | 1              |        |
| EV15/6BEEXD  | 010.0420.003 | 1/2"        | Power supply 24 VDC.  | 1            | 1              |        |
| EV15/6BEEXD  | 010.0420.004 | 1/2"        | Power supply 12 VDC.  | 1            | 1              |        |
| EV20/6BEEXD  | 010.0421.001 | 3/4"        | Power supply 230 VAC. | 1            | 1              |        |
| EV20/6BEEXD  | 010.0421.002 | 3/4"        | Power supply 24 VAC.  | 1            | 1              |        |
| EV20/6BEEXD  | 010.0421.003 | 3/4"        | Power supply 24 VDC.  | 1            | 1              |        |
| EV20/6BEEXD  | 010.0421.004 | 3/4"        | Power supply 12 VDC.  | 1            | 1              |        |
| EV25/6BEEXD  | 010.0422.001 | 1"          | Power supply 230 VAC. | 1            | 1              |        |
| EV25/6BEEXD  | 010.0422.002 | 1"          | Power supply 24 VAC.  | 1            | 1              |        |
| EV25/6BEEXD  | 010.0422.003 | 1"          | Power supply 24 VDC.  | 1            | 1              |        |
| EV25/6BEEXD  | 010.0422.004 | 1"          | Power supply 12 VDC.  | 1            | 1              |        |
| EV32/6BEEXD  | 010.0423.001 | 1.1/4"      | Power supply 230 VAC. | 1            | 1              |        |
| EV32/6BEEXD  | 010.0423.002 | 1.1/4"      | Power supply 24 VAC.  | 1            | 1              |        |
| EV32/6BEEXD  | 010.0423.003 | 1.1/4"      | Power supply 24 VDC.  | 1            | 1              |        |
| EV32/6BEEXD  | 010.0423.004 | 1.1/4"      | Power supply 12 VDC.  | 1            | 1              |        |
| EV40/6BEEXD  | 010.0424.001 | 1.1/2"      | Power supply 230 VAC. | 1            | 1              |        |
| EV40/6BEEXD  | 010.0424.002 | 1.1/2"      | Power supply 24 VAC.  | 1            | 1              |        |
| EV40/6BEEXD  | 010.0424.003 | 1.1/2"      | Power supply 24 VDC.  | 1            | 1              |        |
| EV40/6BEEXD  | 010.0424.004 | 1.1/2"      | Power supply 12 VDC.  | 1            | 1              |        |
| EV50/6BEEXD  | 010.0425.001 | 2"          | Power supply 230 VAC. | 1            | 1              |        |
| EV50/6BEEXD  | 010.0425.002 | 2"          | Power supply 24 VAC.  | 1            | 1              |        |
| EV50/6BEEXD  | 010.0425.003 | 2"          | Power supply 24 VDC.  | 1            | 1              |        |
| EV50/6BEEXD  | 010.0425.004 | 2"          | Power supply 12 VDC.  | 1            | 1              |        |
| EV65/6BEEXD  | 010.0426.101 | DN65        | Power supply 230 VAC. | 1            | 1              |        |
| EV65/6BEEXD  | 010.0426.102 | DN65        | Power supply 24 VAC.  | 1            | 1              |        |
| EV65/6BEEXD  | 010.0426.103 | DN65        | Power supply 24 VDC.  | 1            | 1              |        |
| EV65/6BEEXD  | 010.0426.104 | DN65        | Power supply 12 VDC.  | 1            | 1              |        |
| EV80/6BEEXD  | 010.0427.101 | DN80        | Power supply 230 VAC. | 1            | 1              |        |
| EV80/6BEEXD  | 010.0427.102 | DN80        | Power supply 24 VAC.  | 1            | 1              |        |
| EV80/6BEEXD  | 010.0427.103 | DN80        | Power supply 24 VDC.  | 1            | 1              |        |
| EV80/6BEEXD  | 010.0427.104 | DN80        | Power supply 12 VDC.  | 1            | 1              |        |
| EV100/6BEEXD | 010.0428.001 | DN100       | Power supply 230 VAC. | 1            | 1              |        |
| EV100/6BEEXD | 010.0428.002 | DN100       | Power supply 24 VAC.  | 1            | 1              |        |
| EV100/6BEEXD | 010.0428.003 | DN100       | Power supply 24 VDC.  | 1            | 1              |        |
| EV100/6BEEXD | 010.0428.004 | DN100       | Power supply 12 VDC.  | 1            | 1              |        |
| EV125/6BEEXD | 010.0429.001 | DN125       | Power supply 230 VAC. | 1            | 1              |        |
| EV125/6BEEXD | 010.0429.002 | DN125       | Power supply 24 VAC.  | 1            | 1              |        |
| EV125/6BEEXD | 010.0429.003 | DN125       | Power supply 24 VDC.  | 1            | 1              |        |
| EV125/6BEEXD | 010.0429.004 | DN125       | Power supply 12 VDC.  | 1            | 1              |        |
| EV150/6BEEXD | 010.0430.001 | DN150       | Power supply 230 VAC. | 1            | 1              |        |
| EV150/6BEEXD | 010.0430.002 | DN150       | Power supply 24 VAC.  | 1            | 1              |        |
| EV150/6BEEXD | 010.0430.003 | DN150       | Power supply 24 VDC.  | 1            | 1              |        |
| EV150/6BEEXD | 010.0430.004 | DN150       | Power supply 12 VDC.  | 1            | 1              |        |

Dimensions on page 343

PARTS KIT

| Type         | Part number           | Valve                                 | Description               | Q.ty/<br>Box | Box/<br>Carton | €/unit |
|--------------|-----------------------|---------------------------------------|---------------------------|--------------|----------------|--------|
| 511.2041.001 | 014.0300.001          | EVO, EV 1/2" to 2"                    | RAC coil 230 VAC          | 1            | 1              |        |
| 511.2103.001 | 014.0301.001          | MSV 1/2" to 2"                        | Coil 230 VAC              | 1            | 1              |        |
| 511.3426.001 | 014.0302.001          | MSVO 1/2" to 2"                       | Coil 230 VAC              | 1            | 1              |        |
| 511.2102.001 | 014.0303.001          | MSV, EV 65 - 80 - 100                 | RAC coil 230 VAC          | 1            | 1              |        |
| 511.0219.001 | 014.0306.001          | MSV 125 - 150                         | RAC coil 230 VAC          | 1            | 1              |        |
| 511.0216.001 | 014.0304.001          | EV 125 - 150 - 200                    | RAC coil 230 VAC          | 1            | 1              |        |
| 511.0216.001 | 014.0304.001          | EV 300                                | RAC coil 230 VAC          | 1            | 1              |        |
| 511.0216.001 | 014.0304.001          | MSV 200 - 300                         | RAC coil 230 VAC          | 1            | 1              |        |
| 511.2042.001 | 014.0310.001          | MSVO, EVO, EV 1/2" to 2"              | RAC coil 24 VAC           | 1            | 1              |        |
| 511.2109.001 | 014.0311.001          | MSV, EV 65 - 80 - 100                 | Coil 24 VAC - VDC         | 1            | 1              |        |
| 1729         | 014.0312.001          | MSV 1/2" to 2"                        | Coil 24 VAC               | 1            | 1              |        |
| 511.0218.001 | 014.0313.001          | MSV, EV 125 - 150 - 200 - 300         | Coil 24 VAC - VDC         | 1            | 1              |        |
| 511.2116.001 | 014.0320.001          | MSVO, EVO, MSV, EV 1/2" to 2"         | Coil 12 VDC               | 1            | 1              |        |
| 511.2177.001 | 014.0321.001          | MSV - EV 65 - 80 -100                 | Coil 12 VDC               | 1            | 1              |        |
| 511.0217.001 | 014.0322.001          | MSV - EV 125 - 150 - 200 - 300        | Coil 12 VDC               | 1            | 1              |        |
| 2105         | 014.0275.001          | MSVO, MSV 1/2" to 2"                  | Connector 230 VAC         | 1            | 1              |        |
| 2105         | 014.0275.001          | MSVO, MSV 1/2" to 2"                  | Connector 24 VAC          | 1            | 1              |        |
| 2105         | 014.0275.001          | MSVO, EVO, MSV, EV 1/2" to DN300      | Connector 12 VDC          | 1            | 1              |        |
| 2105         | 014.0275.001          | MSV, EV 65 - 80 - 100                 | Connector 24 VDC          | 1            | 1              |        |
| 2104         | 014.0277.001          | DN65 to DN300 MSV                     | Connector 230 VAC<br>RAC  | 1            | 1              |        |
| 2104         | 014.0277.001          | EVO, EV 1/2" to 2" and DN125 to DN300 | Connector 230 VAC<br>RAC  | 1            | 1              |        |
| 2045         | 014.0278.001          | EV 65 - 80 - 100                      | Connector 230 VAC<br>RAC  | 1            | 1              |        |
| 2108         | 014.0276.001          | EVO, EV 1/2" to 2"                    | Connector 24 VAC RAC      | 1            | 1              |        |
| 2108         | 014.0276.001          | EV, MSV 65 - 80 - 100                 | Connector 24 VAC RAC      | 1            | 1              |        |
| 511.0070.000 | 014.0279.001          | MSV, EV 125 - 150 - 200 - 300         | Connector 24 VAC -<br>VDC | 1            | 1              |        |
|              | available to<br>order | MSV - EV 1/2" to DN150                | Coil 230 VAC EEXD         | 1            | 1              |        |
|              | available to<br>order | MSV - EV 1/2" to DN150                | Coil 24 VAC EEXD          | 1            | 1              |        |
|              | available to<br>order | MSV - EV 1/2" to DN150                | Coil 24 VDC EEXD          | 1            | 1              |        |
|              | available to<br>order | MSV - EV 1/2" to DN150                | Coil 12 VDC EEXD          | 1            | 1              |        |
| 6218         | 014.0034.000          | MSVM - EVM 3/4" - DN150               | Microswitch               | 1            | 1              |        |



**SELECTION GUIDE: COILS AND CONNECTORS**

| Tipo                     | Attacchi      | Bobine       | Bobine       | Bobine       | Bobine       |
|--------------------------|---------------|--------------|--------------|--------------|--------------|
|                          |               | 230 Vac      | 24 Vac       | 24 Vdc       | 12 Vdc       |
| MSVO - MSVO/6B           | 1/2" - 1"     | 014.0302.001 | 014.0310.001 | -            | 014.0320.001 |
| EVO - EVO/6B             | 1/2" - 1"     | 014.0300.001 | 014.0310.001 | -            | 014.0320.001 |
| MSV<br>MSV/6B<br>MSVM/6B | 1/2" - 2"     | 014.0301.001 | 014.0312.001 | -            | 014.0320.001 |
|                          | DN65 - DN100  | 014.0303.001 | 014.0311.001 | 014.0311.001 | 014.0321.001 |
|                          | DN125 - DN150 | 014.0306.001 | 014.0313.001 | 014.0313.001 | 014.0322.001 |
|                          | DN200 - DN300 | 014.0304.001 | 014.0313.001 | 014.0313.001 | 014.0322.001 |
| EV<br>EV/6B<br>EVM/6B    | 1/2" - 2"     | 014.0300.001 | 014.0310.001 | -            | 014.0320.001 |
|                          | DN65 - DN100  | 014.0303.001 | 014.0311.001 | 014.0311.001 | 014.0321.001 |
|                          | DN125 - DN150 | 014.0304.001 | 014.0313.001 | 014.0313.001 | 014.0322.001 |
|                          | DN200         | 014.0304.001 | 014.0313.001 | 014.0313.001 | 014.0322.001 |
|                          | DN300         | 014.0304.990 | 014.0313.001 | 014.0313.001 | 014.0322.001 |
| MSV/6BEEXD               | 1/2" - DN150  | 014.0285.001 | 014.0286.001 | 014.0287.001 | 014.0288.001 |
| EV/6BEEXD                | 1/2" - DN150  | 014.0285.001 | 014.0286.001 | 014.0287.001 | 014.0288.001 |

| Tipo                     | Attacchi      | Connettori   | Connettori   | Connettori            | Connettori   |
|--------------------------|---------------|--------------|--------------|-----------------------|--------------|
|                          |               | 230 Vac      | 24 Vac       | 24 Vdc                | 12 Vdc       |
| MSVO                     | 1/2" - 1"     | 014.0275.001 | 014.0275.001 | -                     | 014.0275.001 |
| MSVO/6B                  | 1/2" - 1"     | 014.0275.001 | 014.0275.001 | -                     | 014.0275.001 |
| EVO                      | 1/2" - 1"     | 014.0277.001 | 014.0276.001 | -                     | 014.0275.001 |
| EVO/6B                   | 1/2" - 1"     | 014.0277.001 | 014.0276.001 | -                     | 014.0275.001 |
| MSV<br>MSV/6B<br>MSVM/6B | 1/2" - 2"     | 014.0277.001 | 014.0276.001 | -                     | 014.0275.001 |
|                          | DN65 - DN100  | 014.0277.001 | 014.0276.001 | 014.0275.001          | 014.0275.001 |
|                          | DN125 - DN150 | 014.0277.001 | 014.0279.001 | 014.0279.001          | 014.0275.001 |
|                          | DN200 - DN300 | 014.0277.001 | 014.0279.001 | 014.0279.001          | 014.0275.001 |
| EV<br>EV/6B<br>EVM/6B    | 1/2" - 2"     | 014.0277.001 | 014.0276.001 | -                     | 014.0275.001 |
|                          | DN65 - DN100  | 014.0278.001 | 014.0276.001 | 014.0275.001          | 014.0275.001 |
|                          | DN125 - DN150 | 014.0277.001 | 014.0279.001 | 014.0279.001          | 014.0275.001 |
|                          | DN200 - DN300 | 014.0277.001 | 014.0279.001 | 014.0279.001          | 014.0275.001 |
| MSV/6BEEXD               | 1/2" - DN150  |              |              | Inclusa con la bobina |              |
| EV/6BEEXD                | 1/2" - DN150  |              |              | Inclusa con la bobina |              |

**GAS LEAK DETECTORS**

**GSX - GAS SENTINEL**

Surface wall-mounting microprocessor control electronic domestic gas leak detector with acoustic and illuminating alarm, for connection to one or more normally closed solenoid valves (GSAVR, GHAV, EV, EVO Series) or normally open solenoid valves (MSV, MSVO Series).

White, wall-mounting version.



| Type | Part number | Description                            | Q.ty/Box | Box/ Carton | €/unit |
|------|-------------|--|----------|-------------|--------|
| GSX  | 0941030     | For detecting methane and natural gas. | 1        | 1           |        |
| GSX  | 0941530     | For detecting LPG, propane, butane.    | 1        | 1           |        |

Dimensions on page 344

**GSW - GAS SENTINEL**

Characteristics as per GSX but for flush wall-mounting. Compatible with the most common DIN plates and electrical enclosures on the market. Overall dimensions 115x66x62mm. White, wall-mounting version.



| Type | Part number | Description                            | Q.ty/Box | Box/ Carton | €/unit |
|------|-------------|--|----------|-------------|--------|
| GSW  | 0941040     | For detecting methane and natural gas. | 1        | 1           |        |
| GSW  | 0941540     | For detecting LPG, propane, butane.    | 1        | 1           |        |

Dimensions on page 344

**CIVIC 1**

Gas detector central unit for the connection of 1 UR13 or UR.20 probe; with LED-based optical interface (power ON, fault, gas alarm) and internal buzzer-based acoustic interface. Control output for gas alarm and OC output for fault indication.

In self-extinguishing plastic housing for DIN-rail mounting.



| Type   | Part number | Description         | Q.ty/Box | Box/ Carton | €/unit |
|--------|-------------|---------------------|----------|-------------|--------|
| CIVIC1 | 0940501     | Power supply 12 VAC | 1        | 1           |        |

Dimensions on page 344

**CIVIC 4**

Gas detector central unit for the connection of 4 UR13 or UR20 probes; with LED-based optical interface (power ON, fault, gas alarm) and internal buzzer-based acoustic interface. Control output for gas alarm and OC output for fault indication.

In self-extinguishing plastic housing for DIN-rail mounting.



| Type   | Part number | Description         | Q.ty/Box | Box/ Carton | €/unit |
|--------|-------------|---------------------|----------|-------------|--------|
| CIVIC4 | 0940504     | Power supply 12 VAC | 1        | 1           |        |

Dimensions on page 344

### UR13

Gas detector sensor for CIVIC1 and CIVIC4 central units available in three versions for detecting natural gas, LPG and carbon monoxide (CO).

Protection rating IP44.



| Type | Part number | Description               | Q.ty/Box | Box/Car-<br>ton | €/unit |
|------|-------------|---------------------------|----------|-----------------|--------|
| UR13 | 0940561     | For detecting natural gas | 1        | 1               |        |
| UR13 | 0940562     | For detecting LPG         | 1        | 1               |        |
| UR13 | 0940563     | For detecting CO          | 1        | 1               |        |

Dimensions on page 344

### UR20S

Gas detector in metal housing (Group II protection mode, category 3G, Ex nA IIC T6) with operating status indicator light, for indicating gas alarms by means of a 4–20 mA analogue output or a trip threshold (pre-alarm, level 1 and 2 alarm, fault) that can be freely set with DIP-switches. Protection rating IP55.



| Type  | Part number | Description               | Q.ty/Box | Box/Car-<br>ton | €/unit |
|-------|-------------|---------------------------|----------|-----------------|--------|
| UR20S | 0940571     | For detecting natural gas | 1        | 1               |        |
| UR20S | 0940572     | For detecting LPG         | 1        | 1               |        |
| UR20S | 0940573     | For detecting CO          | 1        | 1               |        |

Dimensions on page 344

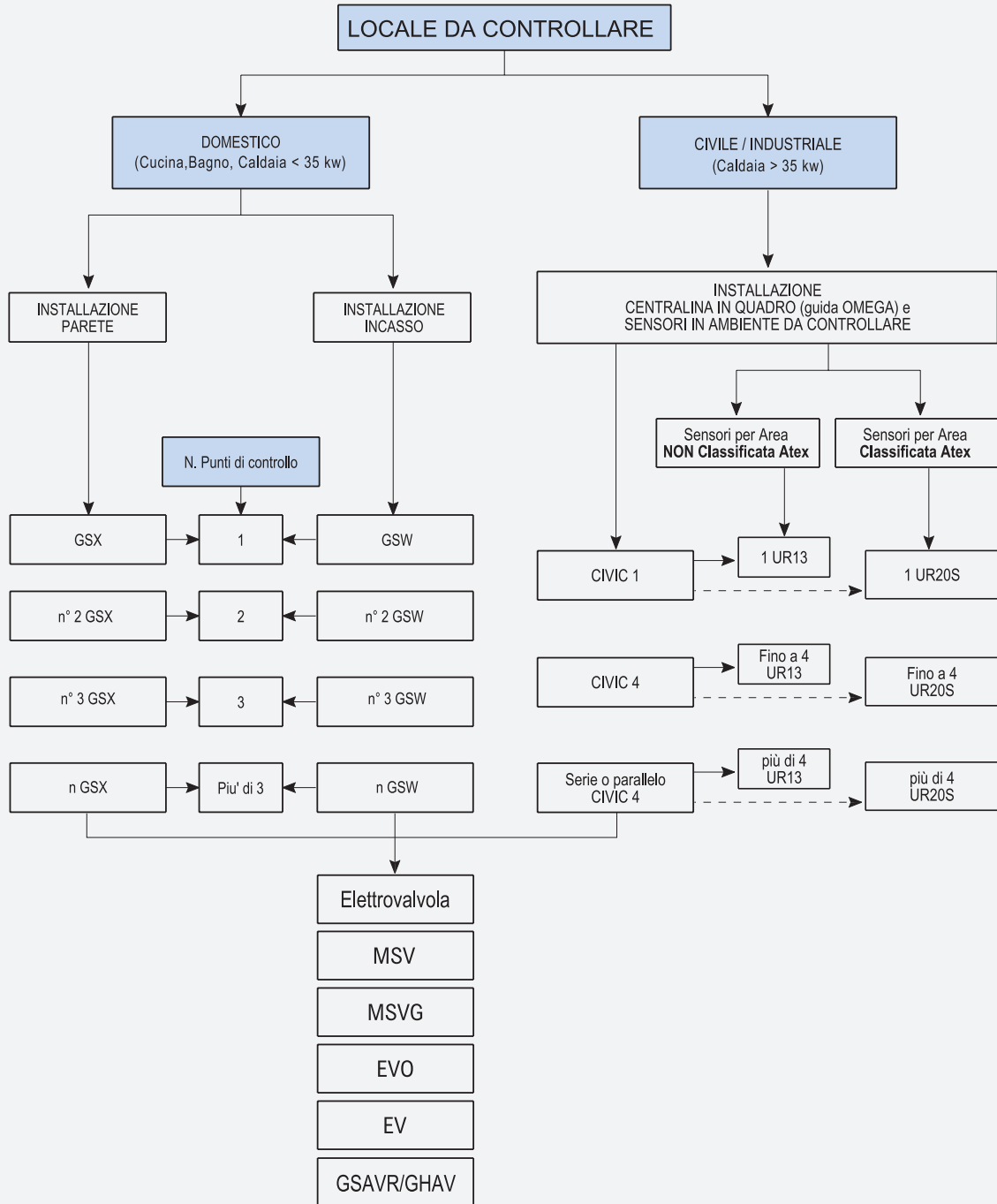
### GAS SENTINEL KIT

Wall-mounting domestic gas leak detector kit combined with normally open gas solenoid valve (MSVO) or normally closed gas solenoid valve (EVO), with manual resetting.



| Type     | Part num-<br>ber | Description                     | Q.ty/Box | Box/<br>Carton | €/unit |
|----------|------------------|---------------------------------|----------|----------------|--------|
| GSX/15NC | K0941060         | KIT GSX NATURAL GAS + EVO15     | 1        | 1              |        |
| GSX/20NC | K0941061         | KIT GSX NATURAL GAS + EVO20     | 1        | 1              |        |
| GSX/15NA | K0941050         | KIT GSX NATURAL GAS +<br>MSVO12 | 1        | 1              |        |
| GSX/20NA | K0941051         | KIT GSX NATURAL GAS +<br>MSVO34 | 1        | 1              |        |
| GSX/15NC | K0941560         | KIT GSX LPG + EVO15             | 1        | 1              |        |
| GSX/20NC | K0941561         | KIT GSX LPG + EVO20             | 1        | 1              |        |
| GSX/15NA | K0941550         | KIT GSX LPG + MSVO12            | 1        | 1              |        |
| GSX/20NA | K0941551         | KIT GSX LPG + MSVO34            | 1        | 1              |        |

EXPLANATORY BLOCK DIAGRAM



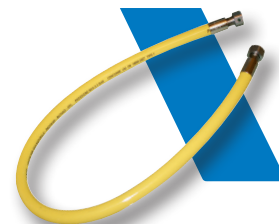
|                          | <b>GSX</b> | <b>GSW</b>  | <b>CIVIC 1</b>     | <b>CIVIC 4</b>     | <b>UR13</b> | <b>UR20S</b> |
|--------------------------|------------|-------------|--------------------|--------------------|-------------|--------------|
| <b>Protection rating</b> | IP42       | IP42        | IP20               | IP20               | IP44        | IP55, Atex   |
| <b>Installation</b>      | Wall mount | Flush mount | On 35mm omega rail | On 35mm omega rail | Wall mount  | Wall mount   |

**EXTENDABLE FLEXIBLE JOINTS**
**CMGFF**

AISI 316L stainless steel hose with PVC protective casing. Suitable for connecting domestic gas appliances running on natural gas, propane, butane and LPG. 1/2"FF UNI-ISO 228/1 union nut connections with hexagon on hose next to F union nut to facilitate installation. PN 6. Pack includes gaskets.

**Compliant with CPD 89/106 and UNI EN 14800:2007.**

| Type  | Part number | Connections | Description         | Q.ty/Box | Box/ Carton | €/unit |
|-------|-------------|-------------|---------------------|----------|-------------|--------|
| CMGFF | 9494002     |             | Pipe length 750 mm  | 1        | 25          |        |
| CMGFF | 9494003     |             | Pipe length 1000 mm | 1        | 25          |        |
| CMGFF | 9494005     |             | Pipe length 1500 mm | 1        | 25          |        |
| CMGFF | 9494006     |             | Pipe length 2000 mm | 1        | 25          |        |


**CMGMF**

AISI 316L stainless steel hose with PVC protective casing. Suitable for connecting domestic gas appliances running on natural gas, propane, butane and LPG. 1/2" MF UNI-ISO 228/1 connections (fixed male and female with union nut). PN 6.

Pack includes gaskets.

**Compliant with CPD 89/106 and UNI EN 14800:2007.**

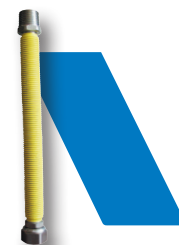
| Type  | Part number | Connections | Description         | Q.ty/Box | Box/ Carton | €/unit |
|-------|-------------|-------------|---------------------|----------|-------------|--------|
| CMGMF | 9495002     |             | Pipe length 750 mm  | 1        | 25          |        |
| CMGMF | 9495003     |             | Pipe length 1000 mm | 1        | 25          |        |
| CMGMF | 9495005     |             | Pipe length 1500 mm | 1        | 25          |        |
| CMGMF | 9495006     |             | Pipe length 2000 mm | 1        | 25          |        |


**GE**

Stainless steel extendable flexible joint with continuous outer casing, suitable for connecting gas appliances. Deformation with bend radius of not less than twice the nominal diameter. Suitable for natural gas, propane, butane and LPG. Axial elongation approximately twice the initial measurement. Polyethylene casing, NBR gasket. PN 0.5 bar. Female fitting: union nut with ISO 228-1 straight thread, male fitting: EN 10226-1 type R gas taper thread.

**UNI-CIG 11353 compliant.**

| Type | Part number | Connections   | Description                     | Q.ty/Box | Box/ Carton | €/unit |
|------|-------------|---------------|---------------------------------|----------|-------------|--------|
| GE   | 0916015     | 1/2"M x 1/2"F | Min. length 90 mm, max. 140 mm  | 1        | 1           |        |
| GE   | 0916020     | 3/4"M x 3/4"F | Min. length 90 mm, max. 140 mm  | 1        | 1           |        |
| GE   | 0916025     | 1"M x 1"F     | Min. length 90 mm, max. 140 mm  | 1        | 1           |        |
| GE   | 0916115     | 1/2"M x 1/2"F | Min. length 130 mm, max. 220 mm | 1        | 1           |        |
| GE   | 0916120     | 3/4"M x 3/4"F | Min. length 130 mm, max. 220 mm | 1        | 1           |        |
| GE   | 0916125     | 1"M x 1"F     | Min. length 130 mm, max. 220 mm | 1        | 1           |        |
| GE   | 0916215     | 1/2"M x 1/2"F | Min. length 220 mm, max. 420 mm | 1        | 1           |        |
| GE   | 0916220     | 3/4"M x 3/4"F | Min. length 220 mm, max. 420 mm | 1        | 1           |        |
| GE   | 0916225     | 1"M x 1"F     | Min. length 220 mm, max. 420 mm | 1        | 1           |        |



PROTECTION DEVICE

GUA

Yellow, spiral-reinforced, self-extinguishing flexible sheath with smooth internal surface for protecting gas pipes, as laid down in UNI-CIG 7129-08 and UNI-CIG 7131. PVC sheath. Crush-resistance: To 320 N. Temperature-resistance: -10 to 70°C. Self-extinguishing to UL 94 class VO. Minimum bend radius less than 3 times the diameter (empty sheath). Absolute electrical insulation against stray currents. Absorbs the thermal expansion of gas supply pipes thereby preventing the formation of cracks in walls and floors.



| Type | Part number | External Diameter | Internal Diameter | Q.ty/Box | Box/Car-ton | €/unit |
|------|-------------|-------------------|-------------------|----------|-------------|--------|
| GUA  | 0917020     | 24.7 mm           | 20 mm             | 1        | 1           |        |
| GUA  | 0917022     | 27 mm             | 22 mm             | 1        | 1           |        |
| GUA  | 0917025     | 30.3 mm           | 25 mm             | 1        | 1           |        |
| GUA  | 0917028     | 33.3 mm           | 28 mm             | 1        | 1           |        |
| GUA  | 0917030     | 35.5 mm           | 30 mm             | 1        | 1           |        |
| GUA  | 0917032     | 37.8 mm           | 32 mm             | 1        | 1           |        |
| GUA  | 0917035     | 40.7 mm           | 35 mm             | 1        | 1           |        |
| GUA  | 0917040     | 46.2 mm           | 40 mm             | 1        | 1           |        |
| GUA  | 0917050     | 57 mm             | 50 mm             | 1        | 1           |        |
| GUA  | 0917060     | 68 mm             | 60 mm             | 1        | 1           |        |

TECHNICAL NOTE - Protection of gas supply pipes

Cavity feed-through.  
 Hollow brick, concrete, and prefabricated panel feed-through.  
 Floor and ceiling slabs.  
 Crossover or parallel runs of water supply pipes.  
 Wherever it is necessary to insulate metal pipes against stray currents.

Italian standards UNI 7129-08 and UNI 7131-99 governing domestic gas supply systems supplied by the distribution network (UNI 7129) or with LPG (UNI 7131) require gas supply pipes to be inserted in a protective sheath. UNI 7129-08, 3.3.1.4.... omissis .... The internal diameter of the aforementioned sheaths must be at least 10 mm larger than the external diameter of the pipe.

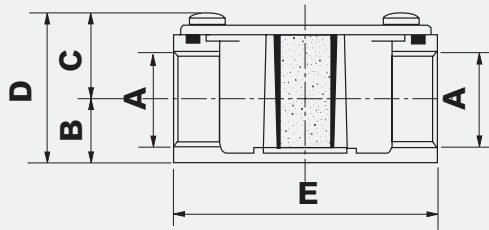
SELF-EXTINGUISHING SHEATH WITH SPIRAL-REINFORCED EXTERNAL SURFACE AND SMOOTH INTERNAL SURFACE FOR PROTECTING GAS SUPPLY PIPES

| Sheath  | Internal diameter of sheath | Nominal diameter of iron supply pipes | Weight |
|---------|-----------------------------|---------------------------------------|--------|
| Part N° | mm                          | mm                                    | g/m    |
| 0917020 | 20                          | 10                                    | 100    |
| 0917022 | 22                          | 12                                    | 107    |
| 0917025 | 25                          | 15                                    | 114    |
| 0917028 | 28                          | 18                                    | 140    |
| 0917030 | 30                          | 20                                    | 177    |
| 0917032 | 32                          | 22                                    | 220    |
| 0917035 | 35                          | 25                                    | 274    |
| 0917040 | 40                          | 30                                    | 350    |
| 0917050 | 50                          | 40                                    | 420    |
| 0917060 | 60                          | 50                                    | 517    |



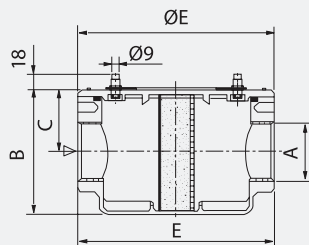
OVERALL DIMENSIONS

70600



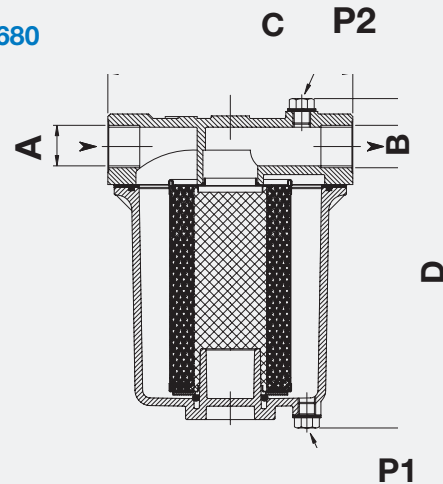
| Tipo  | A       | B  | C  | D  | E  |
|-------|---------|----|----|----|----|
| 70609 | Rp 1/2" | 17 | 22 | 39 | 70 |
| 70608 | Rp 3/4" | 17 | 22 | 39 | 70 |

70600/6B



| Tipo     | A          | B   | C  | D   | E   |
|----------|------------|-----|----|-----|-----|
| 70611/6B | Rp 1/2"    | 92  | 37 | 120 | 20  |
| 70612/6B | Rp 3/4"    | 92  | 37 | 120 | 120 |
| 70602/6B | Rp 1"      | 103 | 50 | 160 | 160 |
| 70604/6B | Rp 1. 1/4" | 103 | 50 | 160 | 160 |
| 70603/6B | Rp 1. 1/2" | 103 | 50 | 160 | 160 |
| 70631/6B | Rp 2"      | 140 | 73 | 186 | 186 |

70680



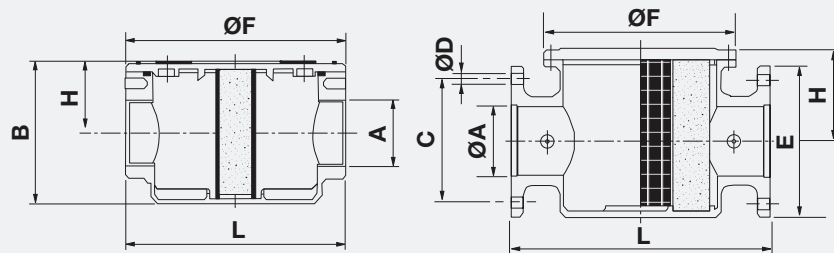
TECHNICAL NOTE

P1: inlet tapping point  
P2: outlet tapping point

A pressure gauge or differential pressure switch can be connected between P1 and P2 (Rp 1/2") to control the pressure drop in the cartridge.

| Tipo  | A          | B          | C   | D   |
|-------|------------|------------|-----|-----|
| 70684 | Rp 1"      | Rp 1"      | 190 | 255 |
| 70685 | Rp 1. 1/4" | Rp 1. 1/4" | 190 | 255 |
| 70686 | Rp 1. 1/2" | Rp 1. 1/2" | 190 | 255 |
| 70687 | Rp 2"      | Rp 2"      | 190 | 255 |

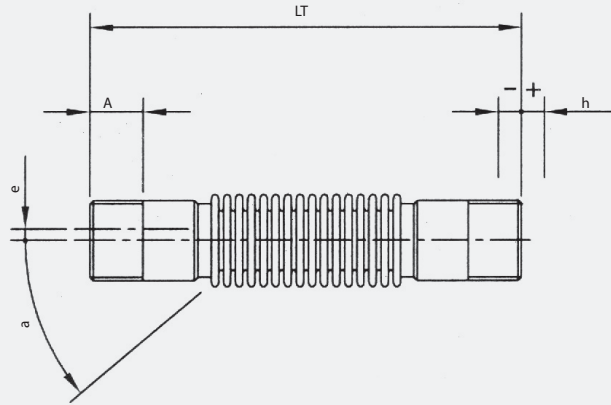
70600/6B - 70600F/6B



| Tipo      | A          | B   | C   | D  | E   | F   | H   | L   |
|-----------|------------|-----|-----|----|-----|-----|-----|-----|
| 70611/1B  | Rp 1/2"    | 92  | -   | -  | -   | 120 | 37  | 120 |
| 70612/1B  | Rp 3/4"    | 92  | -   | -  | -   | 120 | 37  | 120 |
| 70602/1B  | Rp 1"      | 103 | -   | -  | -   | 160 | 50  | 160 |
| 70604/1B  | Rp 1. 1/4" | 103 | -   | -  | -   | 160 | 50  | 160 |
| 70603/1B  | Rp 1. 1/2" | 103 | -   | -  | -   | 160 | 50  | 160 |
| 70631/1B  | Rp 2"      | 140 | -   | -  | -   | 186 | 73  | 186 |
| 70603F/6B | DN 40      | -   | 110 | 18 | 150 | 130 | 130 | 200 |
| 70631F/6B | DN 50      | -   | 125 | 18 | 165 | 148 | 148 | 230 |
| 70610F/6B | DN 65      | -   | 145 | 18 | 185 | 212 | 212 | 290 |
| 70620F/6B | DN 80      | -   | 160 | 18 | 200 | 240 | 240 | 320 |
| 70640F/6B | DN 100     | -   | 180 | 18 | 220 | 280 | 280 | 380 |
| 70650F/6B | DN125      | -   | 210 | 18 | 250 | 280 | 280 | 380 |
| 70660F/6B | DN150      | -   | 240 | 22 | 288 | 310 | 310 | 450 |

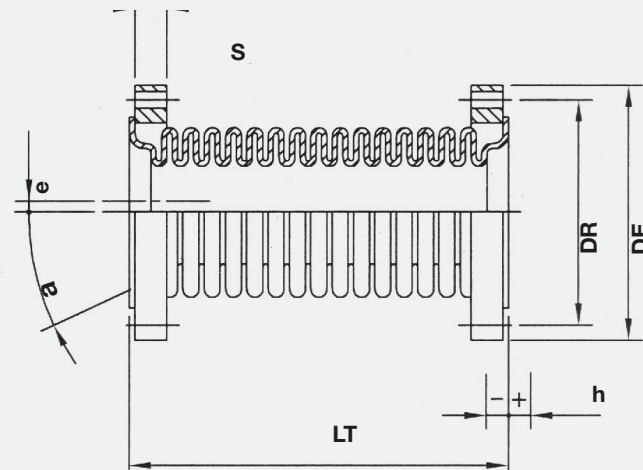
OVERALL DIMENSIONS

GA

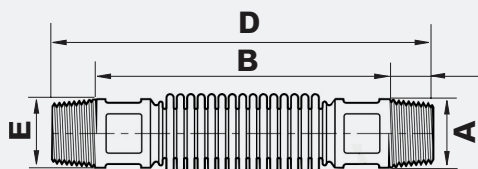


| Tipo<br>GA | Attacchi<br>UNI ISO 7-1 | P. Max<br>bar | Temp.<br>°C | Compensazione assiale |          |     | Angolare | Laterale | Ingombro |  |
|------------|-------------------------|---------------|-------------|-----------------------|----------|-----|----------|----------|----------|--|
|            |                         |               |             | h+                    | h-h tot. | a ± | e ±      | A        | LT ±5    |  |
| GA1556     | R. 1/2"                 | 3             | -20 +60     | 10                    | 1020     | 35  | 5        | 18       | 170      |  |
| GA1544     | R. 3/4"                 | 3             | -20 +60     | 10                    | 1020     | 30  | 5        | 18       | 180      |  |
| GA1545     | R. 1"                   | 3             | -20 +60     | 10                    | 1020     | 25  | 6        | 22       | 200      |  |
| GA1546     | R. 1"1/4                | 3             | -20 +60     | 12                    | 1224     | 35  | 10       | 24       | 220      |  |
| GA1547     | R. 1"1/2                | 3             | -20 +60     | 15                    | 1530     | 35  | 10       | 24       | 240      |  |
| GA1548     | R. 2"                   | 3             | -20 +60     | 15                    | 1530     | 30  | 10       | 28       | 240      |  |

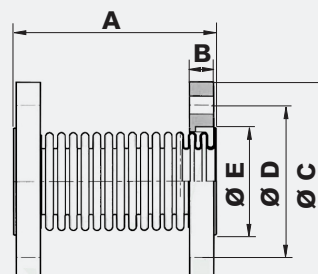
GAF



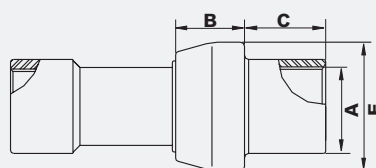
| Tipo<br>GAF | Attacchi<br>ISO 7005-2 | P. Max<br>bar | Temp.<br>°C | Compensazione assiale |    |        | Angolare | Laterale |     | Ingombro |      |    |
|-------------|------------------------|---------------|-------------|-----------------------|----|--------|----------|----------|-----|----------|------|----|
|             |                        |               |             | h+                    | h- | h tot. | a ±      | e ±      | DE  | DR       | LT±5 | S  |
| GAF212      | DN 65 PN16             | 3             | -20 +60     | 20                    | 20 | 40     | 20       | 10       | 185 | 145      | 150  | 18 |
| GAF300      | DN 80 PN16             | 3             | -20 +60     | 20                    | 20 | 40     | 20       | 10       | 200 | 160      | 160  | 20 |
| GAF400      | DN 100 PN16            | 3             | -20 +60     | 20                    | 20 | 40     | 20       | 10       | 220 | 180      | 170  | 23 |
| GAF500      | DN 125 PN16            | 3             | -20 +60     | 25                    | 25 | 50     | 4        | 6        | 250 | 210      | 240  | 24 |
| GAF600      | DN 150 PN16            | 3             | -20 +60     | 25                    | 25 | 50     | 4        | 6        | 285 | 240      | 240  | 24 |

**OVERALL DIMENSIONS**
**GDA FILETTATI**


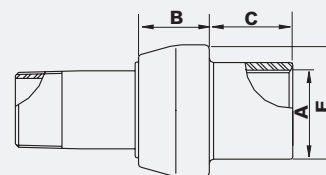
| DN | A      | B   | C  | D   | E  | Z* |
|----|--------|-----|----|-----|----|----|
| 16 | 1/2"   | 140 | 15 | 170 | 23 | 12 |
| 20 | 3/4"   | 145 | 17 | 180 | 27 | 16 |
| 25 | 1"     | 150 | 20 | 190 | 34 | 16 |
| 32 | 1.1/4" | 155 | 22 | 200 | 43 | 20 |
| 40 | 1.1/2" | 165 | 22 | 210 | 52 | 30 |
| 50 | 2"     | 190 | 25 | 240 | 64 | 30 |

**GDA FLANGIATI**


| DN  | A   | B  | C   | D   | E   | F  | N. Fori | Z* |
|-----|-----|----|-----|-----|-----|----|---------|----|
| 65  | 155 | 20 | 185 | 145 | 92  | 18 | 4       | 40 |
| 80  | 165 | 20 | 200 | 160 | 113 | 18 | 8       | 45 |
| 100 | 175 | 22 | 220 | 180 | 135 | 18 | 8       | 55 |

**GDFE**


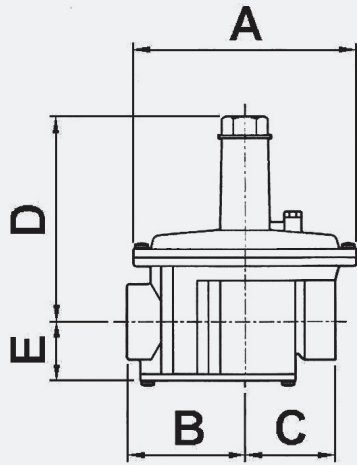
| DN     | A    | E  | C  | B  |
|--------|------|----|----|----|
| 3/4"   | 26,7 | 53 | 27 | 30 |
| 1"     | 33,4 | 60 | 29 | 32 |
| 1.1/4" | 42,2 | 71 | 32 | 35 |
| 1.1/2" | 48,3 | 77 | 32 | 37 |
| 2"     | 60,3 | 90 | 36 | 38 |

**GDMF**


| DN     | A     | E   | C  | B  |
|--------|-------|-----|----|----|
| 1/2"   | 21,3  | 46  | 25 | 28 |
| 3/4"   | 26,7  | 53  | 27 | 30 |
| 1"     | 33,4  | 60  | 29 | 32 |
| 1.1/4" | 42,2  | 71  | 32 | 35 |
| 1.1/2" | 48,3  | 77  | 32 | 37 |
| 2"     | 60,3  | 90  | 36 | 38 |
| 2.1/2" | 76,1  | 113 | 40 | 53 |
| 3"     | 88,9  | 127 | 44 | 53 |
| 4"     | 114,3 | 156 | 55 | 65 |

OVERALL DIMENSIONS

FG



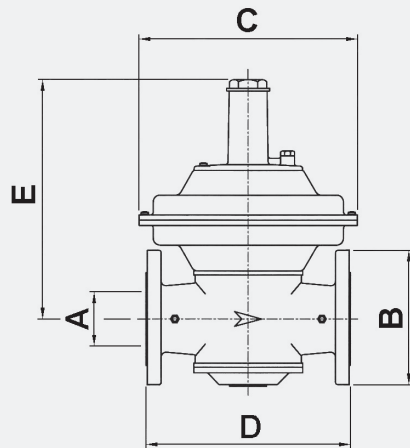
TECHNICAL NOTE

N.B. Measurement E must be increased by approximately 400 mm to facilitate filter cleaning and inspection.

FG.50/40: model with 2" threaded connections but with the overall dimensions of the 1 1/2" model (FG..40).

| Modello   | Attacchi              | A   | B   | C  | D   | E  |
|-----------|-----------------------|-----|-----|----|-----|----|
| FG..15    | Rp 1/2" UNI-ISO 7/1   |     |     |    |     |    |
| FG..20    | Rp 3/4" UNI-ISO 7/1   | 146 | 73  | 58 | 137 | 42 |
| FG..25    | Rp 1" UNI-ISO 7/1     |     |     |    |     |    |
| FG..32    | Rp 1 1/4" UNI-ISO 7/1 |     |     |    |     |    |
| FG..40    | Rp 1 1/2" UNI-ISO 7/1 | 194 | 98  | 80 | 175 | 52 |
| FG..50/40 | Rp 2" UNI-ISO 7/1     |     |     |    |     |    |
| FG..50    | Rp 2" UNI-ISO 7/1     | 260 | 135 | 90 | 250 | 65 |

FS1B - ST1B



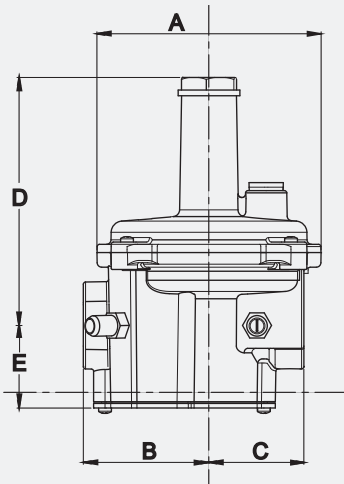
TECHNICAL NOTE

N.B. For the FS1B Series (with built-in filter unit) the measurement "E" must be increased by approximately 400 mm to facilitate cleaning and inspection of the filter.

| Modello | Attacchi             | A   | B   | C   | D   | E   |
|---------|----------------------|-----|-----|-----|-----|-----|
| FS1B65  | DN 65 PN16 EN 1092-4 | 85  | 185 | 320 | 300 | 340 |
| FS1B80  | DN 80 PN16 EN 1092-4 | 85  | 200 | 320 | 300 | 340 |
| ST1B65  | DN 65 PN16 EN 1092-4 | 85  | 185 | 320 | 300 | 340 |
| ST1B80  | DN 80 PN16 EN 1092-4 | 85  | 200 | 320 | 300 | 340 |
| ST1B100 | DN100 PN16 EN 1092-4 | 100 | 220 | 370 | 360 | 410 |

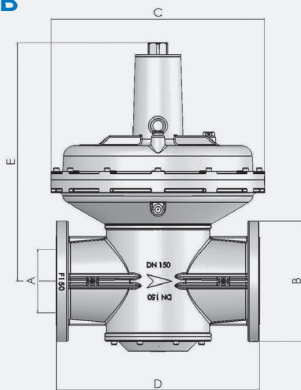
**OVERALL DIMENSIONS**

**FGDR/COM**



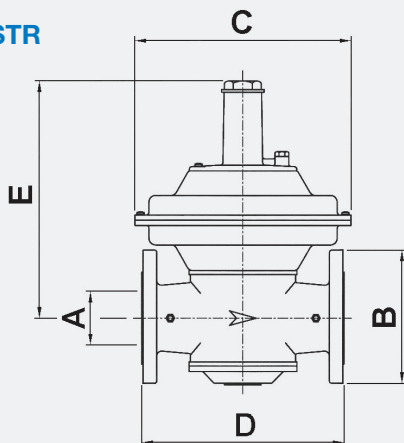
| Modello    | Attacchi            | A  | B  | C    | D     | E    |
|------------|---------------------|----|----|------|-------|------|
| FGDR/COM15 | Rp 1/2" UNI ISO 7/1 | 98 | 55 | 41,5 | 108,5 | 35,5 |
| FGDR/COM20 | Rp 3/4" UNI ISO 7/1 | 98 | 55 | 41,5 | 108,5 | 35,5 |

**STR - ST1B**



| Modello        | Attacchi              | A   | B   | C   | D   | E   |
|----------------|-----------------------|-----|-----|-----|-----|-----|
| ST1B125-STR125 | DN 125 PN16 EN 1092-4 | 125 | 250 | 505 | 480 | 565 |
| ST1B150-STR150 | DN 150 PN16 EN 1092-4 | 150 | 288 | 505 | 480 | 565 |

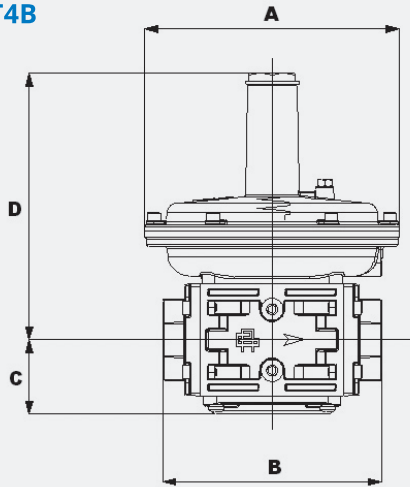
**FSDR - STR**



| Modello | Attacchi             | A   | B   | C   | D   | E   |
|---------|----------------------|-----|-----|-----|-----|-----|
| FSDR65  | DN 65 Pn16 EN 1092-4 | 85  | 185 | 320 | 300 | 340 |
| FSDR80  | DN 80 Pn16 EN 1092-4 | 85  | 200 | 320 | 300 | 340 |
| STR65   | DN 65 Pn16 EN 1092-4 | 85  | 185 | 320 | 300 | 340 |
| STR80   | DN 80 Pn16 EN 1092-4 | 85  | 200 | 320 | 300 | 340 |
| STR100  | DN100 Pn16 En 1092-4 | 100 | 220 | 370 | 360 | 410 |

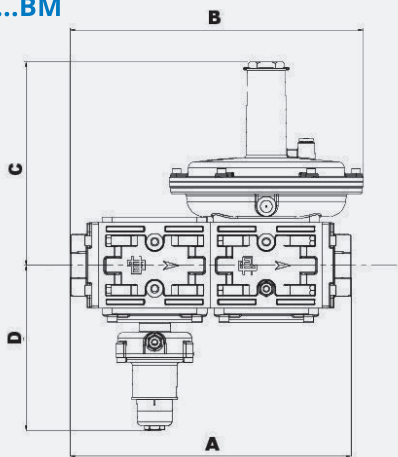
OVERALL DIMENSIONS

ST4B



| Modello | Attacchi              | A   | B   | C  | D   |
|---------|-----------------------|-----|-----|----|-----|
| ST4B20  | Rp 3/4" UNI-ISO 7/1   | 195 | 126 | 38 | 190 |
| ST4B25  | Rp 1" UNI-ISO 7/1     | 195 | 126 | 38 | 190 |
| ST4B32  | Rp 1.1/4" UNI-ISO 7/1 | 195 | 167 | 57 | 205 |
| ST4B40  | Rp 1.1/2" UNI-ISO 7/1 | 195 | 167 | 57 | 205 |
| ST4B50  | Rp 2" UNI-ISO 7/1     | 260 | 195 | 62 | 262 |

ST4B...BM

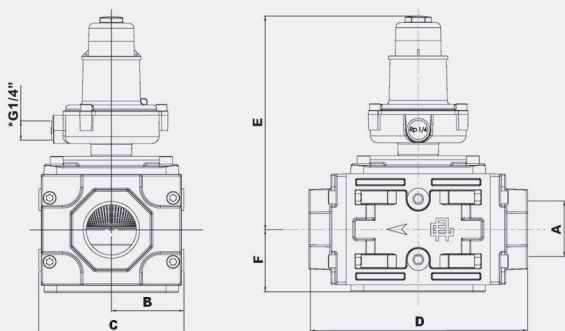


| Modello  | Attacchi              | A   | B   | C   | D   |
|----------|-----------------------|-----|-----|-----|-----|
| ST4B20BM | Rp 3/4" UNI-ISO 7/1   | 200 | 234 | 190 | 123 |
| ST4B25BM | Rp 1" UNI-ISO 7/1     | 200 | 234 | 190 | 123 |
| ST4B32BM | Rp 1.1/4" UNI-ISO 7/1 | 282 | 294 | 204 | 146 |
| ST4B40BM | Rp 1.1/2" UNI-ISO 7/1 | 282 | 294 | 204 | 146 |
| ST4B50BM | Rp 2" UNI-ISO 7/1     | 326 | 360 | 262 | 150 |

TECHNICAL NOTE

N.B. (\*) G1/4" connection to be connected downstream of the regulator.

BM

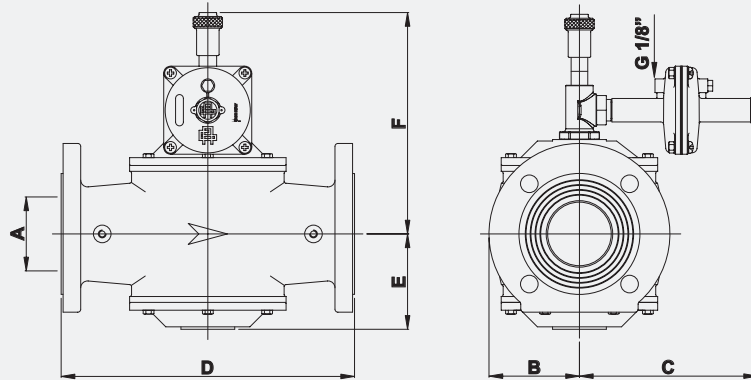
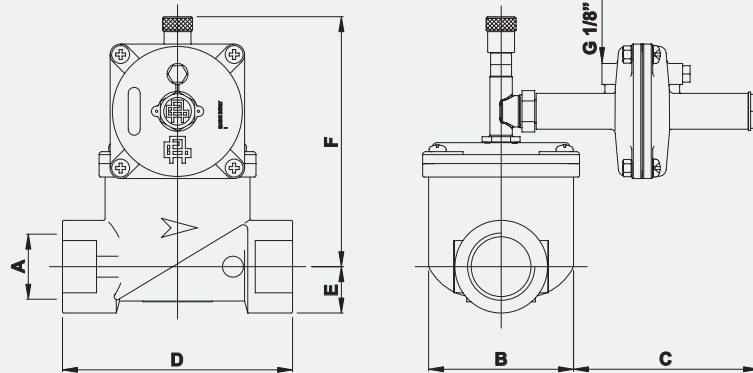


| Modello | BM20    | BM25  | BM32      | BM40      | BM50  |
|---------|---------|-------|-----------|-----------|-------|
| A       | Rp 3/4" | Rp 1" | Rp 1.1/4" | Rp 1.1/2" | Rp 2" |
| B       | 37      | 37    | 57        | 57        | 68    |
| C       | 74      | 74    | 114       | 114       | 136   |
| D       | 126     | 126   | 170       | 170       | 195   |
| E       | 142     | 142   | 165       | 165       | 169   |
| F       | 12      | 12    | 49        | 49        | 58    |



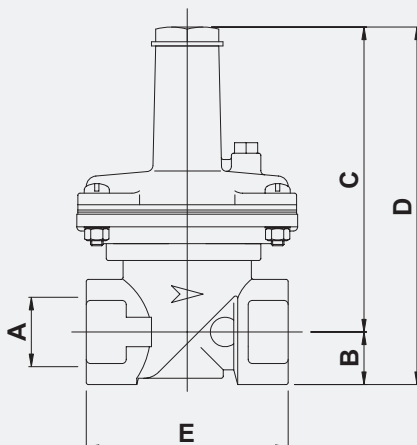
**OVERALL DIMENSIONS**

**MB**



| Mod. | MB15    | MB20    | MB25    | MB32      | MB40      | MB50    | MB65    | MB80    | MB100    | MB125    | MB150    |
|------|---------|---------|---------|-----------|-----------|---------|---------|---------|----------|----------|----------|
|      | MB15/6B | MB20/6B | MB25/6B | MB32/6B   | MB40/6B   | MB50/6B | MB65/6B | MB80/6B | MB100/6B | MB125/6B | MB150/6B |
| A    | Rp 1/2" | Rp 3/4" | Rp 1"   | Rp 1 1/4" | Rp 1 1/2" | Rp 2"   | DN 65   | DN 80   | DN 100   | DN 125   | DN 150   |
| B    | 25      | 35      | 35      | 52        | 52        | 64      | 93      | 100     | 110      | 125      | 142      |
| C    | 175     | 175     | 175     | 175       | 175       | 175     | 197     | 197     | 197      | 180      | 180      |
| D    | 76      | 96      | 96      | 154       | 154       | 173     | 300     | 300     | 360      | 480      | 480      |
| E    | 15      | 25      | 25      | 31        | 31        | 39      | 100     | 100     | 105      | 170      | 170      |
| F    | 120     | 140     | 140     | 170       | 170       | 170     | 230     | 230     | 230      | 370      | 370      |

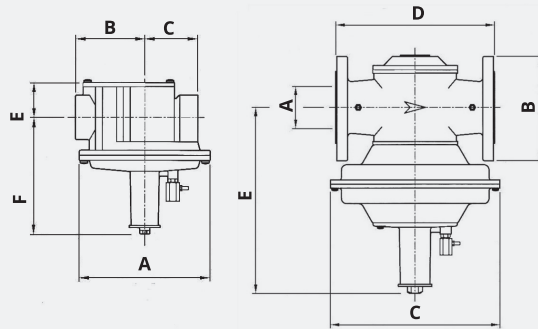
**MS**



| Tipo | A       | B  | C   | D   | E  |
|------|---------|----|-----|-----|----|
| MS20 | Rp 3/4" | 25 | 145 | 170 | 96 |
| MS25 | Rp 1"   | 25 | 145 | 170 | 96 |

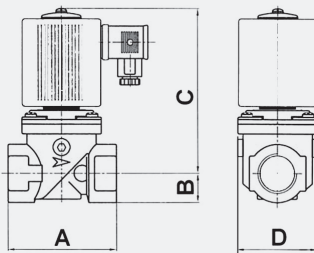
OVERALL DIMENSIONS

VRGA-GAVR



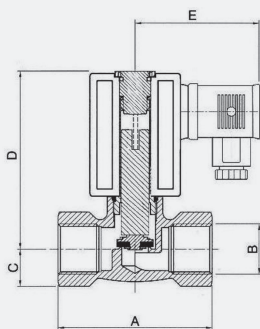
| Tipo       | Attacchi             | A     | B   | C   | D   | E   | F   |
|------------|----------------------|-------|-----|-----|-----|-----|-----|
| GAVR 15    | Rp 1/2" UNI ISO 7/1  |       |     |     |     |     |     |
| GAVR 20    | Rp 3/4" UNI ISO 7/1  | 146   | 73  | 58  | -   | 38  | 138 |
| GAVR 25    | Rp 1" UNI ISO 7/1    |       |     |     |     |     |     |
| GAVR 32    | Rp 1"1/4 UNI ISO 7/1 | 194   | 98  | 80  | -   | 52  | 179 |
| GAVR 40    | Rp 1"1/2 UNI ISO 7/1 |       |     |     |     |     |     |
| GAVR 50/40 | Rp 2" UNI ISO 7/1    | 260   | 135 | 85  | -   | 65  | 250 |
| GAVR 50    | Rp 2" UNI ISO 7/1    |       |     |     |     |     |     |
| VRGA 65    | DN 65 PN 16          | DN65  | 185 | 320 | 300 | 340 | -   |
| VRGA 80    | DN 80 PN 16          | DN80  | 200 | 320 | 300 | 340 | -   |
| VRGA 100   | DN 100 PN 16         | DN100 | 220 | 370 | 360 | 410 | -   |

GSAV..R



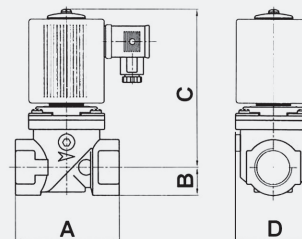
| Modello  | GSAV15R | GSAV20R | GSAV25R | GSAV32R   | GSAV40R   | GSAV50R |
|----------|---------|---------|---------|-----------|-----------|---------|
| Attacchi | Rp 1/2" | Rp 3/4" | Rp 1"   | Rp 1.1/4" | Rp 1.1/2" | Rp 2"   |
| A        | 76      | 96      | 96      | 154       | 154       | 173     |
| B        | 15      | 25      | 25      | 31        | 31        | 39      |
| C        | 101     | 137     | 137     | 193       | 193       | 194     |
| D        | 52      | 70      | 70      | 105       | 105       | 127     |

GSAVO



| Modello     | A  | B       | C  | D  | E  |
|-------------|----|---------|----|----|----|
| GSAVO15     |    |         |    |    |    |
| GSAVO15/08B | 64 | Rp 1/2" | 15 | 90 | 60 |

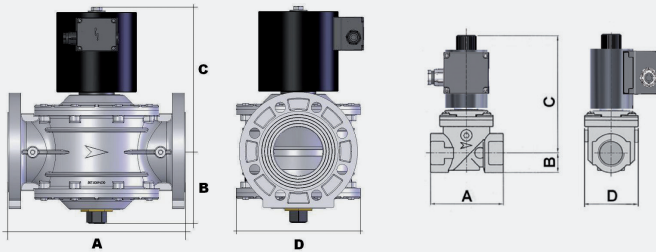
GSAV



| Modello    | Attacchi | A  | B  | C   | D  |
|------------|----------|----|----|-----|----|
| GSAV15/02B | Rp 1/2"  | 76 | 15 | 107 | 52 |
| GSAV20/02B | Rp 3/4"  | 96 | 25 | 137 | 70 |
| GSAV25/02B | Rp 1"    | 96 | 25 | 137 | 70 |

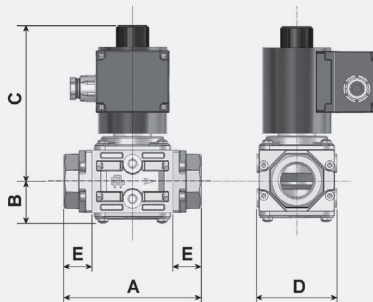
**OVERALL DIMENSIONS**

**GSAV/2R..2L**



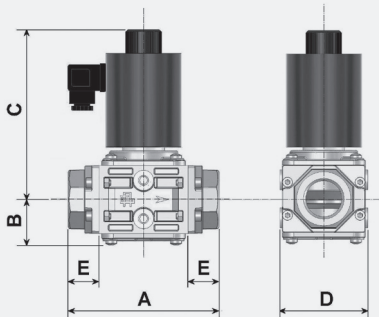
| Modello   | Attacchi     | A   | B   | C   | D   |
|-----------|--------------|-----|-----|-----|-----|
| GSAV202R  | Rp 3/4"      | 96  | 25  | 155 | 70  |
| GSAV202L  | Rp 3/4"      | 96  | 25  | 229 | 70  |
| GSAV252R  | Rp 1"        | 96  | 25  | 155 | 70  |
| GSAV252L  | Rp 1"        | 96  | 25  | 229 | 70  |
| GSAV322R  | Rp 1"1/4     | 154 | 31  | 193 | 105 |
| GSAV322L  | Rp 1"1/4     | 154 | 31  | 271 | 105 |
| GSAV402R  | Rp 1"1/2     | 154 | 31  | 193 | 105 |
| GSAV402L  | Rp 1"1/2     | 154 | 31  | 271 | 105 |
| GSAV502R  | Rp 2"        | 173 | 39  | 194 | 127 |
| GSAV502L  | Rp 2"        | 173 | 39  | 283 | 127 |
| GSAV652R  | DN65 - PN16  | 300 | 120 | 245 | 210 |
| GSAV802R  | DN80 - PN16  | 300 | 120 | 245 | 210 |
| GSAV1002R | DN100 - PN16 | 360 | 135 | 280 | 220 |

**AMSV..2R**



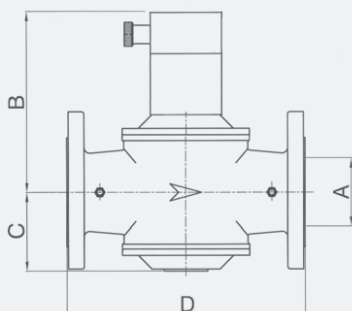
| Modello   | Attacchi | A   | B  | C   | D   | E  |
|-----------|----------|-----|----|-----|-----|----|
| AMSV20..R | Rp 3/4"  | 126 | 38 | 142 | 74  | 26 |
| AMSV20..L | Rp 3/4"  | 126 | 38 | 216 | 74  | 26 |
| AMSV25..R | Rp 1"    | 126 | 38 | 142 | 74  | 26 |
| AMSV25..L | Rp 1"    | 126 | 38 | 216 | 74  | 26 |
| AMSV32..R | Rp 1"1/4 | 167 | 57 | 167 | 113 | 29 |
| AMSV32..L | Rp 1"1/4 | 167 | 57 | 245 | 113 | 29 |
| AMSV40..R | Rp 1"1/2 | 167 | 57 | 167 | 113 | 29 |
| AMSV40..L | Rp 1"1/2 | 167 | 57 | 245 | 113 | 29 |
| AMSV50..R | Rp 2"    | 195 | 62 | 171 | 135 | 32 |
| AMSV50..L | Rp 2"    | 195 | 62 | 250 | 135 | 32 |

**AMSV..5R**



| Modello  | Attacchi | A   | B  | C   | D   | E  |
|----------|----------|-----|----|-----|-----|----|
| AMSV205R | Rp 3/4"  | 126 | 38 | 142 | 74  | 26 |
| AMSV255R | Rp 1"    | 126 | 38 | 142 | 74  | 26 |
| AMSV325R | Rp 1"1/4 | 167 | 57 | 167 | 113 | 29 |
| AMSV405R | Rp 1"1/2 | 167 | 57 | 167 | 113 | 29 |
| AMSV505R | Rp 2"    | 195 | 62 | 171 | 135 | 32 |

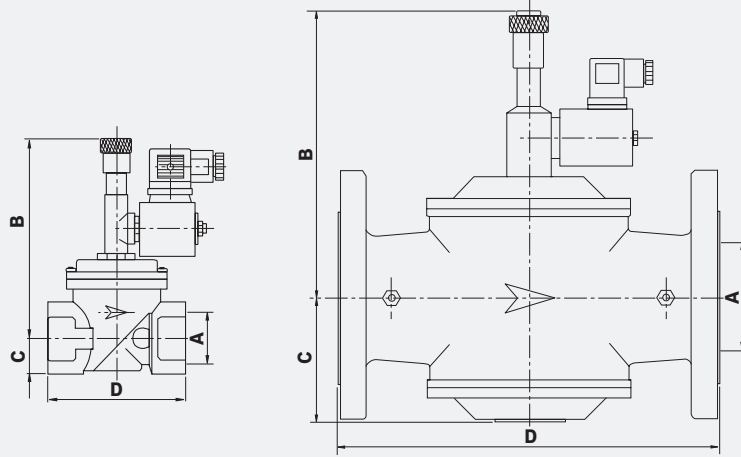
**GHAV**



| Mod.     | GHAV65 | GHAV80 | GHAV100 | GHAV125 | GHAV150 |
|----------|--------|--------|---------|---------|---------|
| <b>A</b> | DN 65  | DN 80  | DN 100  | DN 125  | DN 150  |
| <b>B</b> | 255    | 255    | 310     | 385     | 385     |
| <b>C</b> | 100    | 100    | 115     | 170     | 170     |
| <b>D</b> | 300    | 300    | 360     | 480     | 480     |

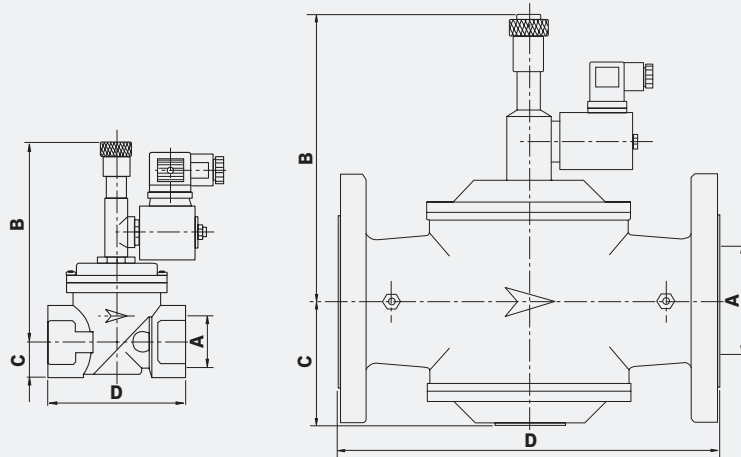
OVERALL DIMENSIONS

MSV - MSV/6B



| Mod. | MSV12<br>MSV12/6B | MSV34<br>MSV100<br>MSV34/6B<br>MSV100/6B | MSV114<br>MSV112<br>MSV114/6B<br>MSV112/6B | MSV200<br>MSV200/6B | MSV212<br>MSV300<br>MSV212/6B<br>MSV300/6B | MSV400<br>MSV400/6B | MSV500<br>MSV600<br>MSV500/6B<br>MSV600/6B | MSV800<br>MSV800/6B | MSV1200<br>MSV1200/6B |
|------|-------------------|--|--|---------------------|--|---------------------|--|---------------------|-----------------------|
| A    | Rp 1/2"           | Rp 3/4"-1"                               | Rp 1.1/4"-Rp 1.1/2"                        | Rp 2"               | DN 65-80                                   | DN 100              | DN 125-150                                 | DN 200              | DN 300                |
| B    | 120               | 140                                      | 170  | 170                 | 230  | 230                 | 390  | 445                 | 585                   |
| C    | 15                | 25                                       | 31   | 39                  | 100  | 115                 | 170  | 230                 | 320                   |
| D    | 76                | 96                                       | 154  | 173                 | 300  | 360                 | 480  | 600                 | 720                   |

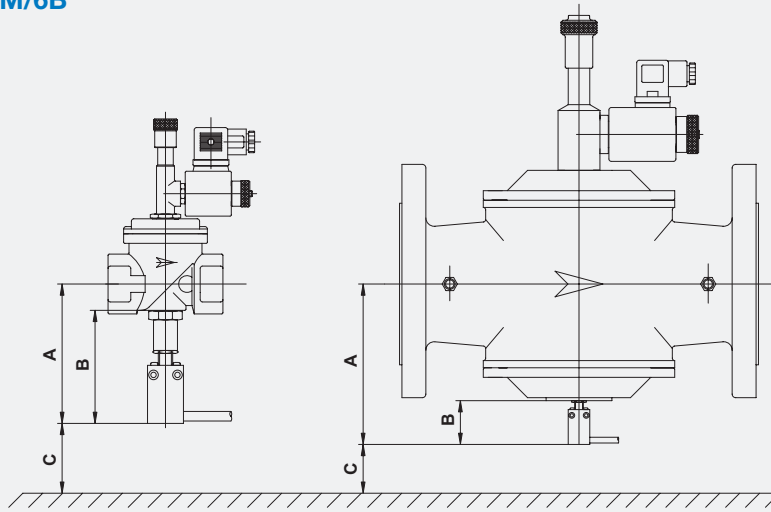
EV - EV/6B



| Mod. | EV15<br>EV15/6B | EV20 - EV25<br>EV20/6B<br>EV25/6B | EV32 - EV40<br>EV32/6B<br>EV40/6B | EV50<br>EV50/6B | EV65 - EV80<br>EV65/6B<br>EV80/6B | EV100<br>EV100/6B | EV125 - EV150<br>EV125/6B<br>EV150/6B | EV200<br>EV200/6B | EV300<br>EV300/6B |
|------|-----------------|-----------------------------------|-----------------------------------|-----------------|-----------------------------------|-------------------|---------------------------------------|-------------------|-------------------|
| A    | Rp 1/2"         | Rp 3/4"-1"                        | Rp 1.1/4"-Rp 1.1/2"               | Rp 2"           | DN 65-80                          | DN 100            | DN 125-150                            | DN 200            | DN 300            |
| B    | 120             | 140                               | 170                               | 170             | 230                               | 230               | 390                                   | 445               | 585               |
| C    | 15              | 25                                | 31                                | 39              | 100                               | 115               | 170                                   | 230               | 320               |
| D    | 76              | 96                                | 154                               | 173             | 300                               | 360               | 480                                   | 600               | 720               |

OVERALL DIMENSIONS

MSVM/6B - EVM/6B

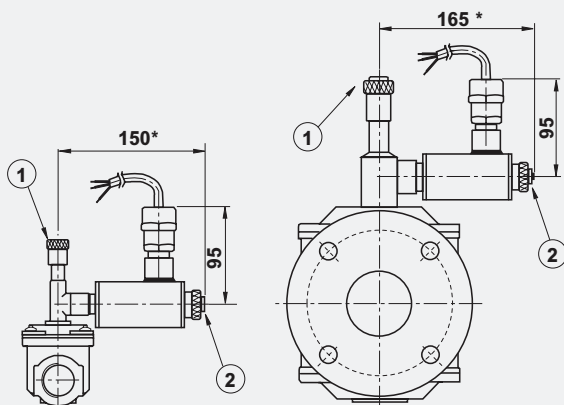


| Mod. | 3/4" | 1"  | 1"1/4 | 1"1/2 | 2"    | DN65  | DN80  | DN100 | DN125 | DN150 |
|------|------|-----|-------|-------|-------|-------|-------|-------|-------|-------|
| A    | 116  | 116 | 118   | 118   | 126,5 | 176,5 | 176,5 | 171   | 225   | 225   |
| B    | 95   | 95  | 95    | 95    | 95    | 79    | 79    | 66    | 59    | 59    |
| C    | 150  | 150 | 150   | 150   | 150   | 150   | 150   | 150   | 150   | 150   |

TECHNICAL NOTE

B: measurement to adhere to for correct adjustment of the position micro-switch.  
 C: minimum recommended distance from ground for maintenance operations.

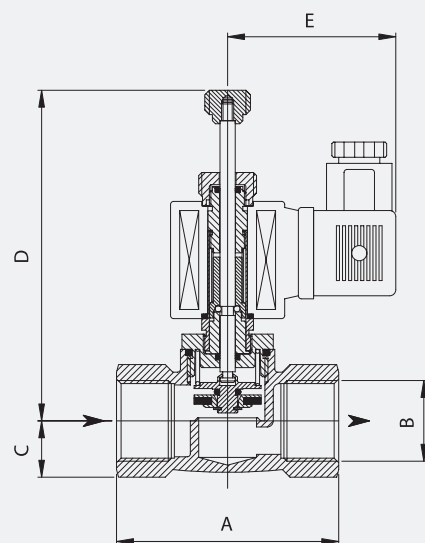
6BEEXD



TECHNICAL NOTE

Reset pushbutton (2) on MSV models only.  
 \* Allow at least twice as much in the event of coil replacement.

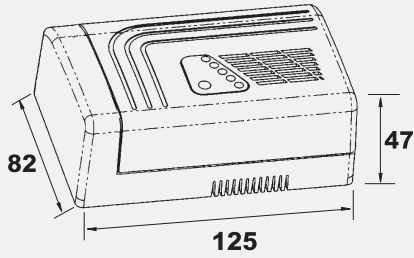
MSVO - EVO



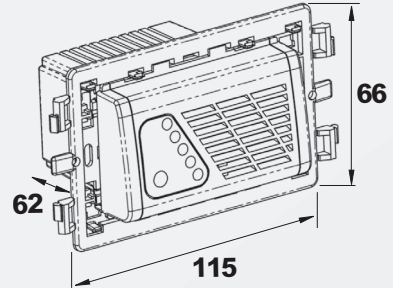
| Tipo | A  | B       | C  | D   | D  |
|------|----|---------|----|-----|----|
| 12   | 64 | Rp 1/2" | 15 | 110 | 55 |
| 34   | 73 | Rp 3/4" | 18 | 110 | 55 |
| 100  | 86 | Rp 1"   | 22 | 110 | 55 |

OVERALL DIMENSIONS

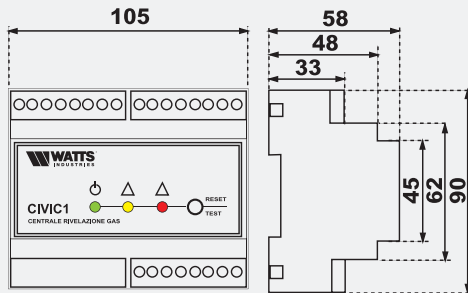
GSX



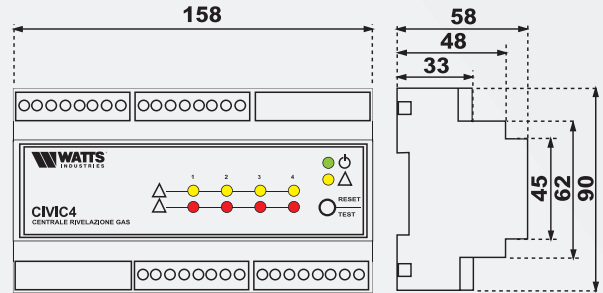
GSW



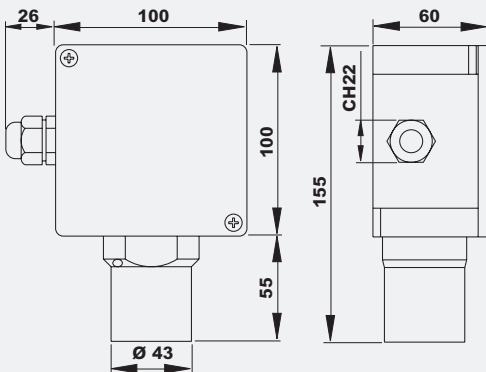
CIVIC1



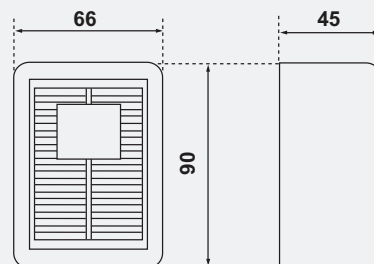
CIVIC4



UR20S



UR13



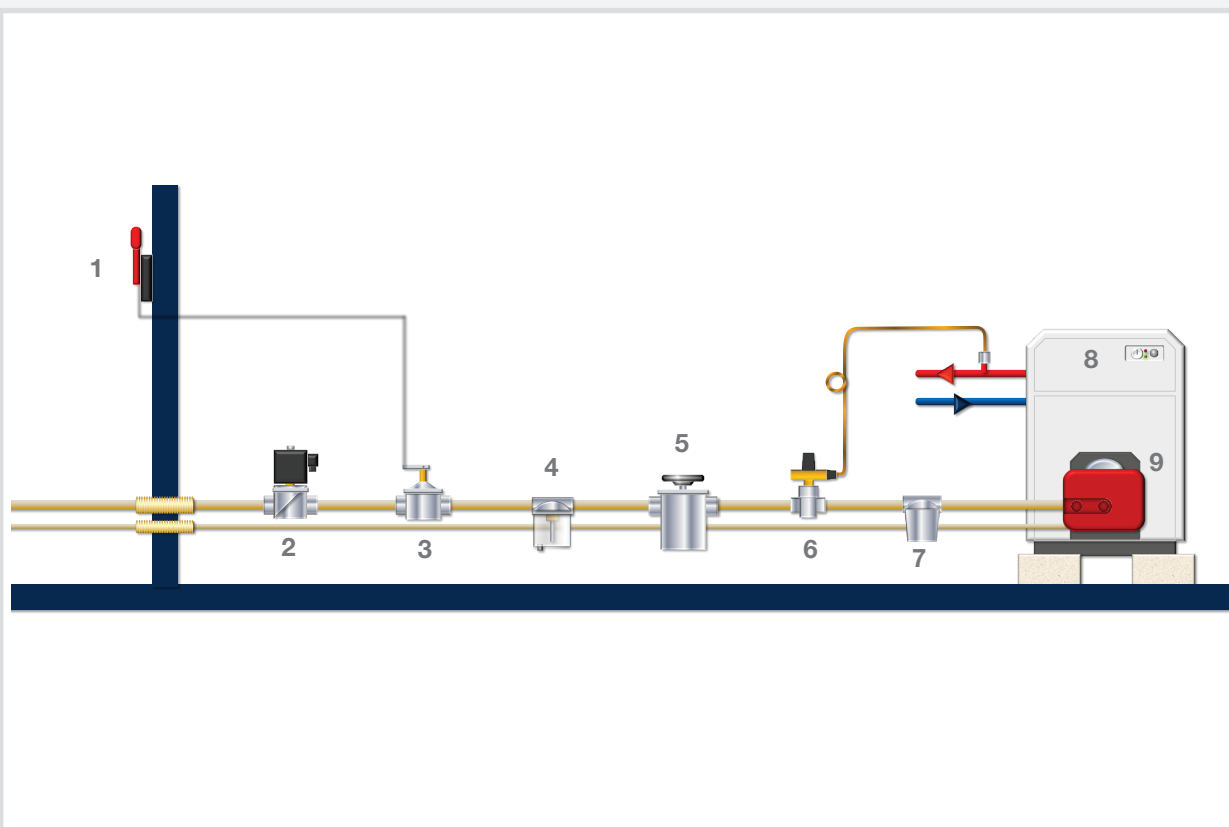




## Chapter 3

### Devices for diesel and fuel oil

#### ACCESSORIES FOR A LIQUID FUEL LINE



1. Jerk-handle on/off valve lever
2. Shut-off solenoid valve
3. Jerk handle on/off valve
4. Water separator filter
5. Self-cleaning filter
6. Fuel shut-off valve
7. Strainer filter
8. Boiler
9. Burner

**STRAINER FILTERS**
**SERIES 70450**
**70452A**

Strainer filter for diesel, fuel oil and air with aluminium cover and bowl.  
 Max. temperature: 90°C. PN 2. NBR gaskets. 1/4" threaded connections.

| Type         | Part number  | Cartridge type                        | Filtration | Q.ty/<br>Box | Box/<br>Carton | €/unit |
|--------------|--------------|---------------------------------------|------------|--------------|----------------|--------|
| 70452/0015AP | 001.0030.001 | Paper filter                          | 15 µ       | 50           | 50             |        |
| 70452/006AG  | 001.0030.003 | Stainless steel pleated cartridge     | 60 µ       | 50           | 50             |        |
| 70452/006AL  | 001.0030.004 | Stainless steel cylindrical cartridge | 60 µ       | 50           | 50             |        |
| 70452/01AG   | 001.0030.005 | Stainless steel pleated cartridge     | 100 µ      | 50           | 50             |        |
| 70452/01AL   | 001.0030.006 | Stainless steel cylindrical cartridge | 100 µ      | 50           | 50             |        |

Other packs available to order - Dimensions on page 384


**70452P**

Strainer filter for diesel, fuel oil and air with aluminium cover and transparent plastic bowl. Max. temperature: 50°C. PN 2. NBR gaskets. 1/4" threaded connections.

| Type         | Part number  | Cartridge type                        | Filtration | Q.ty/<br>Box | Box/<br>Carton | €/unit |
|--------------|--------------|---------------------------------------|------------|--------------|----------------|--------|
| 70452/0015PP | 001.0031.001 | Paper filter                          | 15 µ       | 50           | 50             |        |
| 70452/006PG  | 001.0031.003 | Stainless steel pleated cartridge     | 60 µ       | 50           | 50             |        |
| 70452/006PL  | 001.0031.004 | Stainless steel cylindrical cartridge | 60 µ       | 50           | 50             |        |
| 70452/01PG   | 001.0031.005 | Stainless steel pleated cartridge     | 100 µ      | 50           | 50             |        |
| 70452/01PL   | 001.0031.006 | Stainless steel cylindrical cartridge | 100 µ      | 50           | 50             |        |

Other packs available to order - Dimensions on page 384


**70451A**

Strainer filter for diesel, fuel oil and air with aluminium cover and bowl.  
 Max. temperature: 90°C. PN 2. NBR gaskets. 3/8" threaded connections.

| Type         | Part number  | Cartridge type                        | Filtration | Q.ty/<br>Box | Box/<br>Carton | €/unit |
|--------------|--------------|---------------------------------------|------------|--------------|----------------|--------|
| 70451/0015AP | 001.0032.001 | Paper filter                          | 15 µ       | 50           | 50             |        |
| 70451/006AG  | 001.0032.003 | Stainless steel pleated cartridge     | 60 µ       | 50           | 50             |        |
| 70451/006AL  | 001.0032.004 | Stainless steel cylindrical cartridge | 60 µ       | 50           | 50             |        |
| 70451/01AG   | 001.0032.005 | Stainless steel pleated cartridge     | 100 µ      | 50           | 50             |        |
| 70451/01AL   | 001.0032.006 | Stainless steel cylindrical cartridge | 100 µ      | 50           | 50             |        |

Other packs available to order - Dimensions on page 384



**70451P**

Strainer filter for diesel, fuel oil and air with aluminium cover and transparent plastic bowl. Max. temperature: 50°C. PN 2. NBR gaskets. 3/8" threaded connections.



| Type         | Part number  | Cartridge type                        | Filtration | Q.ty/Box | Box/ Carton | €/unit |
|--------------|--------------|---------------------------------------|------------|----------|-------------|--------|
| 70451/0015PP | 001.0033.001 | Paper filter                          | 15 µ       | 50       | 50          |        |
| 70451/006PG  | 001.0033.003 | Stainless steel pleated cartridge     | 60 µ       | 50       | 50          |        |
| 70451/006PL  | 001.0033.004 | Stainless steel cylindrical cartridge | 60 µ       | 50       | 50          |        |
| 70451/01PG   | 001.0033.005 | Stainless steel pleated cartridge     | 100 µ      | 50       | 50          |        |
| 70451/01PL   | 001.0033.006 | Stainless steel cylindrical cartridge | 100 µ      | 50       | 50          |        |

Other packs available to order - Dimensions on page 384

**ACCESSORIES**

| Type  | Part number  | Description              | Notes             | Q.ty/Box | Box/ Carton | €/unit |
|-------|--------------|--------------------------|-------------------|----------|-------------|--------|
| -     | -            | Supplement for vent plug | -                 | 1        | 1           |        |
| 70410 | 014.0050.000 | Fixing bracket and screw | filter Mod. 70450 | 1        | 1           |        |

**SERIES 70300**

**70303A**

Strainer filter for diesel, fuel oil and air with aluminium cover and bowl. Max. temperature: 90°C. PN 2. NBR gaskets. 1/4" threaded connections.



| Type         | Part number  | Cartridge type                    | Filtration | Q.ty/Box | Box/ Carton | €/unit |
|--------------|--------------|-----------------------------------|------------|----------|-------------|--------|
| 70303/0015AP | 001.0050.001 | Paper filter                      | 15 µ       | 20       | 20          |        |
| 70303/006A   | 001.0050.003 | Stainless steel pleated cartridge | 60 µ       | 20       | 20          |        |
| 70303/01A    | 001.0050.004 | Stainless steel pleated cartridge | 100 µ      | 20       | 20          |        |

Other packs available to order - Dimensions on page 384

**70303P**

Strainer filter for diesel, fuel oil and air with aluminium cover and transparent plastic bowl. Max. temperature: 50°C. PN 2. NBR gaskets. 1/4" threaded connections.



| Type         | Part number  | Cartridge type                    | Filtration | Q.ty/Box | Box/ Carton | €/unit |
|--------------|--------------|-----------------------------------|------------|----------|-------------|--------|
| 70303/0015PP | 001.0051.001 | Paper filter                      | 15 µ       | 20       | 20          |        |
| 70303/006P   | 001.0051.003 | Stainless steel pleated cartridge | 60 µ       | 20       | 20          |        |
| 70303/01P    | 001.0051.004 | Stainless steel pleated cartridge | 100 µ      | 20       | 20          |        |

Other packs available to order - Dimensions on page 384

**70301A**

Strainer filter for diesel, fuel oil and air with aluminium cover and bowl.  
 Max. temperature: 90°C. PN 2. NBR gaskets. 3/8" threaded connections.

| Type         | Part number  | Cartridge type                       | Filtration | Q.ty/<br>Box | Box/<br>Carton | €/unit |
|--------------|--------------|--------------------------------------|------------|--------------|----------------|--------|
| 70301/0015AP | 001.0052.001 | Paper filter                         | 15 µ       | 20           | 20             |        |
| 70301/006A   | 001.0052.003 | Stainless steel<br>pleated cartridge | 60 µ       | 20           | 20             |        |
| 70301/01A    | 001.0052.004 | Stainless steel<br>pleated cartridge | 100 µ      | 20           | 20             |        |

Other packs available to order - Dimensions on page 384


**70301P**

Strainer filter for diesel, fuel oil and air with aluminium cover and transparent plastic bowl. Max. temperature: 50°C. PN 2. NBR gaskets. 3/8" threaded connections.

| Type         | Part number  | Cartridge type                       | Filtration | Q.ty/<br>Box | Box/<br>Carton | €/unit |
|--------------|--------------|--------------------------------------|------------|--------------|----------------|--------|
| 70301/0015PP | 001.0053.001 | Paper filter                         | 15 µ       | 20           | 20             |        |
| 70301/006P   | 001.0053.003 | Stainless steel<br>pleated cartridge | 60 µ       | 20           | 20             |        |
| 70301/01P    | 001.0053.004 | Stainless steel<br>pleated cartridge | 100 µ      | 20           | 20             |        |

Other packs available to order - Dimensions on page 384


**70302A**

Strainer filter for diesel, fuel oil and air with aluminium cover and bowl.  
 Max. temperature: 90°C. PN 2. NBR gaskets. 1/2" threaded connections.

| Type         | Part number  | Cartridge type                       | Filtration | Q.ty/<br>Box | Box/<br>Carton | €/unit |
|--------------|--------------|--------------------------------------|------------|--------------|----------------|--------|
| 70302/0015AP | 001.0054.001 | Paper filter                         | 15 µ       | 20           | 20             |        |
| 70302/006A   | 001.0054.003 | Stainless steel<br>pleated cartridge | 60 µ       | 20           | 20             |        |
| 70302/01A    | 001.0054.004 | Stainless steel<br>pleated cartridge | 100 µ      | 20           | 20             |        |

Other packs available to order - Dimensions on page 384


**70302P**

Strainer filter for diesel, fuel oil and air with aluminium cover and transparent plastic bowl. Max. temperature: 50°C. PN 2. NBR gaskets. 1/2" threaded connections.

| Type         | Part number  | Cartridge type                       | Filtration | Q.ty/<br>Box | Box/<br>Carton | €/unit |
|--------------|--------------|--------------------------------------|------------|--------------|----------------|--------|
| 70302/0015PP | 001.0055.001 | Paper filter                         | 15 µ       | 20           | 20             |        |
| 70302/006P   | 001.0055.003 | Stainless steel<br>pleated cartridge | 60 µ       | 20           | 20             |        |
| 70302/01P    | 001.0055.004 | Stainless steel<br>pleated cartridge | 100 µ      | 20           | 20             |        |

Other packs available to order - Dimensions on page 384



ACCESSORIES

| Type  | Part number  | Description               | Notes             | Q.ty/<br>Box | Box/<br>Carton | €/unit |
|-------|--------------|---------------------------|-------------------|--------------|----------------|--------|
| 70358 | 014.0051.000 | Fixing bracket and screws | filter Mod. 70310 | 1            | 1              |        |

SERIES 70310

70313A

Strainer filter for diesel, fuel oil and air with aluminium cover and bowl. Max. temperature: 90°C. PN 2. NBR gaskets. 1/4" threaded connections.

| Type         | Part number  | Cartridge type                    | Filtration | Q.ty/<br>Box | Box/<br>Carton | €/unit |
|--------------|--------------|-----------------------------------|------------|--------------|----------------|--------|
| 70313/0015AP | 001.0070.001 | Paper filter                      | 15 µ       | 10           | 10             |        |
| 70313/006A   | 001.0070.003 | Stainless steel pleated cartridge | 60 µ       | 10           | 10             |        |
| 70313/01A    | 001.0070.004 | Stainless steel pleated cartridge | 100 µ      | 10           | 10             |        |
| 70313/03A    | 001.0070.005 | Galvanized steel cartridge        | 300 µ      | 10           | 10             |        |

Dimensions on page 385

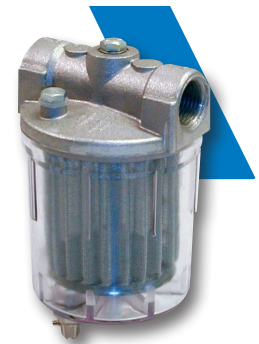


70313P

Strainer filter for diesel, fuel oil and air with aluminium cover and transparent plastic bowl. Max. temperature: 50°C. PN 2. NBR gaskets. 1/4" threaded connections.

| Type         | Part number  | Cartridge type                    | Filtration | Q.ty/<br>Box | Box/<br>Carton | €/unit |
|--------------|--------------|-----------------------------------|------------|--------------|----------------|--------|
| 70313/0015PP | 001.0071.001 | Paper filter                      | 15 µ       | 10           | 10             |        |
| 70313/006P   | 001.0071.003 | Stainless steel pleated cartridge | 60 µ       | 10           | 10             |        |
| 70313/01P    | 001.0071.004 | Stainless steel pleated cartridge | 100 µ      | 10           | 10             |        |
| 70313/03P    | 001.0071.005 | Galvanized steel cartridge        | 300 µ      | 10           | 10             |        |

Dimensions on page 385



70311A

Strainer filter for diesel, fuel oil and air with aluminium cover and bowl. Max. temperature: 90°C. PN 2. NBR gaskets. 3/8" threaded connections.

| Type         | Part number  | Cartridge type                    | Filtration | Q.ty/<br>Box | Box/<br>Carton | €/unit |
|--------------|--------------|-----------------------------------|------------|--------------|----------------|--------|
| 70311/0015AP | 001.0072.001 | Paper filter                      | 15 µ       | 10           | 10             |        |
| 70311/006A   | 001.0072.003 | Stainless steel pleated cartridge | 60 µ       | 10           | 10             |        |
| 70311/01A    | 001.0072.004 | Stainless steel pleated cartridge | 100 µ      | 10           | 10             |        |
| 70311/03A    | 001.0072.005 | Galvanized steel cartridge        | 300 µ      | 10           | 10             |        |

Dimensions on page 385





**70311P**

Strainer filter for diesel, fuel oil and air with aluminium cover and transparent plastic bowl. Max. temperature: 50°C. PN 2. NBR gaskets. 3/8" threaded connections.

| Type         | Part number  | Cartridge type                       | Filtration | Q.ty/<br>Box | Box/<br>Carton | €/unit |
|--------------|--------------|--------------------------------------|------------|--------------|----------------|--------|
| 70311/0015PP | 001.0073.001 | Paper filter                         | 15 µ       | 10           | 10             |        |
| 70311/006P   | 001.0073.003 | Stainless steel<br>pleated cartridge | 60 µ       | 10           | 10             |        |
| 70311/01P    | 001.0073.004 | Stainless steel<br>pleated cartridge | 100 µ      | 10           | 10             |        |
| 70311/03P    | 001.0073.005 | Galvanized steel<br>cartridge        | 300 µ      | 10           | 10             |        |

Dimensions on page 385


**70312A**

Strainer filter for diesel, fuel oil and air with aluminium cover and bowl. Max. temperature: 90°C. PN 2. NBR gaskets. 1/2" threaded connections.

| Type         | Part number  | Cartridge type                       | Filtration | Q.ty/<br>Box | Box/<br>Carton | €/unit |
|--------------|--------------|--------------------------------------|------------|--------------|----------------|--------|
| 70312/0015AP | 001.0074.001 | Paper filter                         | 15 µ       | 10           | 10             |        |
| 70312/006A   | 001.0074.003 | Stainless steel<br>pleated cartridge | 60 µ       | 10           | 10             |        |
| 70312/01A    | 001.0074.004 | Stainless steel<br>pleated cartridge | 100 µ      | 10           | 10             |        |
| 70312/03A    | 001.0074.005 | Galvanized steel<br>cartridge        | 300 µ      | 10           | 10             |        |

Dimensions on page 385


**70312P**

Strainer filter for diesel, fuel oil and air with aluminium cover and transparent plastic bowl. Max. temperature: 50°C. PN 2. NBR gaskets. 1/2" threaded connections.

| Type         | Part number  | Cartridge type                       | Filtration | Q.ty/<br>Box | Box/<br>Carton | €/unit |
|--------------|--------------|--------------------------------------|------------|--------------|----------------|--------|
| 70312/0015PP | 001.0075.001 | Paper filter                         | 15 µ       | 10           | 10             |        |
| 70312/006P   | 001.0075.003 | Stainless steel<br>pleated cartridge | 60 µ       | 10           | 10             |        |
| 70312/01P    | 001.0075.004 | Stainless steel<br>pleated cartridge | 100 µ      | 10           | 10             |        |
| 70312/03P    | 001.0075.005 | Galvanized steel<br>cartridge        | 300 µ      | 10           | 10             |        |

Dimensions on page 385


**ACCESSORIES**

| Type  | Part number  | Description                  | Notes                | Q.ty/<br>Box | Box/<br>Carton | €/unit |
|-------|--------------|------------------------------|----------------------|--------------|----------------|--------|
| 70358 | 014.0051.000 | Fixing bracket and<br>screws | filter Mod.<br>70300 | 1            | 1              |        |



**SERIES 70100**

**70107**

Strainer filter for diesel, fuel oil and air with aluminium cover and bowl. Max. temperature: 90°C. PN 2. NBR gaskets. 1/2" threaded connections.

| Type      | Part number  | Cartridge type                    | Filtration | Q.ty/<br>Box | Box/<br>Carton | €/unit |
|-----------|--------------|-----------------------------------|------------|--------------|----------------|--------|
| 70107/006 | 001.0110.002 | Stainless steel pleated cartridge | 60 µ       | 6            | 6              |        |
| 70107/01  | 001.0110.003 | Stainless steel pleated cartridge | 100 µ      | 6            | 6              |        |
| 70107/03  | 001.0110.004 | Galvanized steel cartridge        | 300 µ      | 6            | 6              |        |

Dimensions on page 385



**70104**

Strainer filter for diesel, fuel oil and air with aluminium cover and bowl. Max. temperature: 90°C. PN 2. NBR gaskets. 3/4" threaded connections.

| Type      | Part number  | Cartridge type                    | Filtration | Q.ty/<br>Box | Box/<br>Carton | €/unit |
|-----------|--------------|-----------------------------------|------------|--------------|----------------|--------|
| 70104/006 | 001.0112.002 | Stainless steel pleated cartridge | 60 µ       | 6            | 6              |        |
| 70104/01  | 001.0112.003 | Stainless steel pleated cartridge | 100 µ      | 6            | 6              |        |
| 70104/03  | 001.0112.004 | Galvanized steel cartridge        | 300 µ      | 6            | 6              |        |

Dimensions on page 385



**70101**

Strainer filter for diesel, fuel oil and air with aluminium cover and bowl. Max. temperature: 90°C. PN 2. NBR gaskets. 1" threaded connections.

| Type      | Part number  | Cartridge type                    | Filtration | Q.ty/<br>Box | Box/<br>Carton | €/unit |
|-----------|--------------|-----------------------------------|------------|--------------|----------------|--------|
| 70101/006 | 001.0111.002 | Stainless steel pleated cartridge | 60 µ       | 6            | 6              |        |
| 70101/01  | 001.0111.003 | Stainless steel pleated cartridge | 100 µ      | 6            | 6              |        |
| 70101/03  | 001.0111.004 | Galvanized steel cartridge        | 300 µ      | 6            | 6              |        |

Dimensions on page 385



**SERIES 70500**

**70501**

Strainer filter for diesel, fuel oil and air with aluminium cover and bowl. Max. temperature: 90°C. PN 4. NBR gaskets. 1" threaded connections.

| Type      | Part number  | Cartridge type                    | Filtration | Q.ty/<br>Box | Box/<br>Carton | €/unit |
|-----------|--------------|-----------------------------------|------------|--------------|----------------|--------|
| 70501/006 | 001.0140.002 | Stainless steel pleated cartridge | 60 µ       | 1            | 1              |        |
| 70501/01  | 001.0140.003 | Stainless steel pleated cartridge | 100 µ      | 1            | 1              |        |
| 70501/03  | 001.0140.004 | Galvanized steel cartridge        | 300 µ      | 1            | 1              |        |

Dimensions on page 386



**70502**

Strainer filter for diesel, fuel oil and air with aluminium cover and bowl. Max. temperature: 90°C. PN 4. NBR gaskets. 1.1/4" connections.

| Type      | Part number  | Cartridge type                    | Filtration | Q.ty/<br>Box | Box/<br>Carton | €/unit |
|-----------|--------------|-----------------------------------|------------|--------------|----------------|--------|
| 70502/006 | 001.0141.002 | Stainless steel pleated cartridge | 60 μ       | 1            | 1              |        |
| 70502/01  | 001.0141.003 | Stainless steel pleated cartridge | 100 μ      | 1            | 1              |        |
| 70502/03  | 001.0141.004 | Galvanized steel cartridge        | 300 μ      | 1            | 1              |        |

Dimensions on page 386


**70503**

Strainer filter for diesel, fuel oil and air with aluminium cover and bowl. Max. temperature: 90°C. PN 4. NBR gaskets. 1.1/2" connections.

| Type      | Part number  | Cartridge type                    | Filtration | Q.ty/<br>Box | Box/<br>Carton | €/unit |
|-----------|--------------|-----------------------------------|------------|--------------|----------------|--------|
| 70503/006 | 001.0142.002 | Stainless steel pleated cartridge | 60 μ       | 1            | 1              |        |
| 70503/01  | 001.0142.003 | Stainless steel pleated cartridge | 100 μ      | 1            | 1              |        |
| 70503/03  | 001.0142.004 | Galvanized steel cartridge        | 300 μ      | 1            | 1              |        |

Dimensions on page 386


**70504**

Strainer filter for diesel, fuel oil and air with aluminium cover and bowl. Max. temperature: 90°C. PN 4. NBR gaskets. 2" connections.

| Type      | Part number  | Cartridge type                    | Filtration | Q.ty/<br>Box | Box/<br>Carton | €/unit |
|-----------|--------------|-----------------------------------|------------|--------------|----------------|--------|
| 70504/006 | 001.0143.002 | Stainless steel pleated cartridge | 60 μ       | 1            | 1              |        |
| 70504/01  | 001.0143.003 | Stainless steel pleated cartridge | 100 μ      | 1            | 1              |        |
| 70504/03  | 001.0143.004 | Galvanized steel cartridge        | 300 μ      | 1            | 1              |        |

Dimensions on page 386


**ACCESSORIES**

| Type  | Part number  | Description                                | Notes             | Q.ty/<br>Box | Box/<br>Carton | €/unit |
|-------|--------------|--|-------------------|--------------|----------------|--------|
| -     | -            | Supplement for hole with plug for resistor | -                 | 1            | 1              |        |
| 70516 | 014.0053.000 | Wall-mounting bracket                      | filter Mod. 70500 | 1            | 1              |        |
| 1543  | 014.0052.000 | Fixing bracket and screws                  | filter Mod. 70100 | 1            | 1              |        |

**SERIES 70700**

**70700**

Strainer filter for diesel, fuel oil and air with aluminium cover and bowl. Max. temperature: 90°C. PN 4. NBR gaskets. 2" threaded connections.



| Type      | Part number  | Cartridge type                    | Filtration | Q.ty/Box | Box/ Carton | €/unit |
|-----------|--------------|-----------------------------------|------------|----------|-------------|--------|
| 70700/006 | 001.0160.002 | Stainless steel pleated cartridge | 60 µ       | 1        | 1           |        |
| 70700/01  | 001.0160.003 | Stainless steel pleated cartridge | 100 µ      | 1        | 1           |        |
| 70700/03  | 001.0160.004 | Galvanized steel cartridge        | 300 µ      | 1        | 1           |        |

**70700F**

Strainer filter for diesel, fuel oil and air with aluminium cover and bowl. Max. temperature: 90°C. PN 4. NBR gaskets. DN50" flanged connections.



| Type       | Part number  | Cartridge type                    | Filtration | Q.ty/Box | Box/ Carton | €/unit |
|------------|--------------|-----------------------------------|------------|----------|-------------|--------|
| 70700/006F | 001.0161.002 | Stainless steel pleated cartridge | 60 µ       | 1        | 1           |        |
| 70700/01F  | 001.0161.003 | Stainless steel pleated cartridge | 100 µ      | 1        | 1           |        |
| 70700/03F  | 001.0161.004 | Galvanized steel cartridge        | 300 µ      | 1        | 1           |        |

Dimensions on page 386

**ACCESSORIES**

| Type | Part number  | Description                            | Notes             | Q.ty/Box | Box/ Carton | €/unit |
|------|--------------|--|-------------------|----------|-------------|--------|
| 1809 | 014.0017.000 | Magnetic insert                        | -                 | 1        | 1           |        |
| 1604 | 014.0025.000 | 300 W resistor (NL type), setting 70°C | -                 | 1        | 1           |        |
| 1603 | 014.0024.000 | 300 W resistor (GL type), setting 35°C | -                 | 1        | 1           |        |
| 586  | 014.0054.000 | Wall-mounting bracket                  | filter Mod. 70700 | 1        | 1           |        |

**MAGNETIC FILTERS**

**70157M**

Magnetic strainer filter for diesel, fuel oil and air with aluminium cover and bowl. Max. temperature: 90°C. PN 2. NBR gaskets. 1/2" connections.



| Type       | Part number  | Cartridge type                    | Filtration | Q.ty/Box | Box/ Carton | €/unit |
|------------|--------------|-----------------------------------|------------|----------|-------------|--------|
| 70157/006M | 001.0200.001 | Stainless steel pleated cartridge | 60 µ       | 1        | 1           |        |
| 70157/01M  | 001.0200.002 | Stainless steel pleated cartridge | 100 µ      | 1        | 1           |        |
| 70157/03M  | 001.0200.003 | Galvanized steel cartridge        | 300 µ      | 1        | 1           |        |

Dimensions on page 385

**70151M**

Magnetic strainer filter for diesel, fuel oil and air with aluminium cover and bowl. Max. temperature: 90°C. PN 2. NBR gaskets. 1" connections.

| Type       | Part number  | Cartridge type                    | Filtration | Q.ty/<br>Box | Box/<br>Carton | €/unit |
|------------|--------------|-----------------------------------|------------|--------------|----------------|--------|
| 70151/006M | 001.0201.001 | Stainless steel pleated cartridge | 60 µ       | 1            | 1              |        |
| 70151/01M  | 001.0201.002 | Stainless steel pleated cartridge | 100 µ      | 1            | 1              |        |

Dimensions on page 385


**ACCESSORIES**

| Type | Part number  | Description               | Notes             | Q.ty/<br>Box | Box/<br>Carton | €/unit |
|------|--------------|---------------------------|-------------------|--------------|----------------|--------|
| 1543 | 014.0052.000 | Fixing bracket and screws | filter Mod. 70100 | 1            | 1              |        |

**70501M**

Magnetic strainer filter for diesel, fuel oil and air with aluminium cover and bowl. Max. temperature: 90°C. PN 4. NBR gaskets. 1" connections.

| Type       | Part number  | Cartridge type                    | Filtration | Q.ty/<br>Box | Box/<br>Carton | €/unit |
|------------|--------------|-----------------------------------|------------|--------------|----------------|--------|
| 70501/006M | 001.0210.001 | Stainless steel pleated cartridge | 60 µ       | 1            | 1              |        |
| 70501/01M  | 001.0210.002 | Stainless steel pleated cartridge | 100 µ      | 1            | 1              |        |
| 70501/03M  | 001.0210.003 | Galvanized steel cartridge        | 300 µ      | 1            | 1              |        |

Dimensions on page 386


**70502M**

Magnetic strainer filter for diesel, fuel oil and air with aluminium cover and bowl. Max. temperature: 90°C. PN 4. NBR gaskets. 1.1/4" connections.

| Type       | Part number  | Cartridge type                    | Filtration | Q.ty/<br>Box | Box/<br>Carton | €/unit |
|------------|--------------|-----------------------------------|------------|--------------|----------------|--------|
| 70502/006M | 001.0211.001 | Stainless steel pleated cartridge | 60 µ       | 1            | 1              |        |
| 70502/01M  | 001.0211.002 | Stainless steel pleated cartridge | 100 µ      | 1            | 1              |        |
| 70502/03M  | 001.0211.003 | Galvanized steel cartridge        | 300 µ      | 1            | 1              |        |

Dimensions on page 386


**70503M**

Magnetic strainer filter for diesel, fuel oil and air with aluminium cover and bowl. Max. temperature: 90°C. PN 4. NBR gaskets. 1.1/2" connections.

| Type       | Part number  | Cartridge type                    | Filtration | Q.ty/<br>Box | Box/<br>Carton | €/unit |
|------------|--------------|-----------------------------------|------------|--------------|----------------|--------|
| 70503/006M | 001.0212.001 | Stainless steel pleated cartridge | 60 µ       | 1            | 1              |        |
| 70503/01M  | 001.0212.002 | Stainless steel pleated cartridge | 100 µ      | 1            | 1              |        |
| 70503/03M  | 001.0212.003 | Galvanized steel cartridge        | 300 µ      | 1            | 1              |        |

Dimensions on page 386



ACCESSORIES

| Type  | Part number  | Description           | Notes             | Q.ty/<br>Box | Box/<br>Carton | €/unit |
|-------|--------------|-----------------------|-------------------|--------------|----------------|--------|
| 70516 | 014.0053.000 | Wall-mounting bracket | filter Mod. 70500 | 1            | 1              |        |

FILTERS WITH ELECTRONIC HEATER

70371RE

Strainer filter with electronic heater for diesel, fuel oil and air with aluminium cover and bowl. Max. temperature: 90°C. PN 2. NBR gaskets. 3/8" connections.

| Type       | Part number  | Resistor                  | Filtration | Q.ty/<br>Box | Box/<br>Carton | €/unit |
|------------|--------------|---------------------------|------------|--------------|----------------|--------|
| 70371/01RE | 001.0170.001 | 100 W electronic resistor | 100 µ      | 5            | 5              |        |



70372RE

Strainer filter with electronic heater for diesel, fuel oil and air with aluminium cover and bowl. Max. temperature: 90°C. PN 2. NBR gaskets. 1/2" connections.

| Type       | Part number  | Resistor                  | Filtration | Q.ty/<br>Box | Box/<br>Carton | €/unit |
|------------|--------------|---------------------------|------------|--------------|----------------|--------|
| 70371/01RE | 001.0170.001 | 100 W electronic resistor | 100 µ      | 5            | 5              |        |



ACCESSORIES

| Type  | Part number  | Description               | Notes                | Q.ty/<br>Box | Box/<br>Carton | €/unit |
|-------|--------------|---------------------------|----------------------|--------------|----------------|--------|
| 70358 | 014.0051.000 | Fixing bracket and screws | filter Mod. 70370/RE | 1            | 1              |        |

70157GL/NL

Strainer filter with electronic heater for diesel, fuel oil and air with aluminium cover and bowl. Max. temperature: 90°C. PN 2. NBR gaskets. 1/2" connections.

| Type        | Part number  | Resistor                          | Filtration | Q.ty/<br>Box | Box/<br>Carton | €/unit |
|-------------|--------------|-----------------------------------|------------|--------------|----------------|--------|
| 70157/006GL | 001.0180.001 | Electronic resistor, setting 35°C | 60 µ       | 1            | 1              |        |
| 70157/006NL | 001.0180.002 | Electronic resistor, setting 70°C | 60 µ       | 1            | 1              |        |
| 70157/01GL  | 001.0180.003 | Electronic resistor, setting 35°C | 100 µ      | 1            | 1              |        |
| 70157/01NL  | 001.0180.004 | Electronic resistor, setting 70°C | 100 µ      | 1            | 1              |        |
| 70157/03GL  | 001.0180.005 | Electronic resistor, setting 35°C | 300 µ      | 1            | 1              |        |
| 70157/03NL  | 001.0180.006 | Electronic resistor, setting 70°C | 300 µ      | 1            | 1              |        |



Dimensions on page 385

**70151GL/NL**

Strainer filter with electronic heater for diesel, fuel oil and air with aluminium cover and bowl. Max. temperature: 90°C. PN 2. NBR gaskets. 1" connections.

| Type        | Part number  | Resistor                          | Filtration | Q.ty/<br>Box | Box/<br>Carton | €/unit |
|-------------|--------------|-----------------------------------|------------|--------------|----------------|--------|
| 70151/006GL | 001.0181.001 | Electronic resistor, setting 35°C | 60 µ       | 1            | 1              |        |
| 70151/006NL | 001.0181.002 | Electronic resistor, setting 70°C | 60 µ       | 1            | 1              |        |
| 70151/01GL  | 001.0181.003 | Electronic resistor, setting 35°C | 100 µ      | 1            | 1              |        |
| 70151/01NL  | 001.0181.004 | Electronic resistor, setting 70°C | 100 µ      | 1            | 1              |        |
| 70151/03GL  | 001.0181.005 | Electronic resistor, setting 35°C | 300 µ      | 1            | 1              |        |
| 70151/03NL  | 001.0181.006 | Electronic resistor, setting 70°C | 300 µ      | 1            | 1              |        |

Dimensions on page 385


**PARTS AND ACCESSORIES**

| Type | Part number  | Description                         | Notes             | Q.ty/<br>Box | Box/<br>Carton | €/unit |
|------|--------------|-------------------------------------|-------------------|--------------|----------------|--------|
| 1543 | 014.0052.000 | Fixing bracket                      | filter Mod. 70150 | 1            | 1              |        |
| 1616 | 014.0026.000 | 100 W electronic resistor           | -                 | 1            | 1              |        |
| 1603 | 014.0024.000 | 300W GL resistor, setting 35°C IP65 | -                 | 1            | 1              |        |
| 1604 | 014.0025.000 | 300W NL resistor, setting 70°C IP65 | -                 | 1            | 1              |        |

**70501GL/NL**

Strainer filter with electronic heater for diesel, fuel oil and air with aluminium cover and bowl. Max. temperature: 90°C. PN 4. NBR gaskets. 1" connections.

| Type        | Part number  | Resistor                          | Filtration | Q.ty/<br>Box | Box/<br>Carton | €/unit |
|-------------|--------------|-----------------------------------|------------|--------------|----------------|--------|
| 70501/006GL | 001.0190.001 | Electronic resistor, setting 35°C | 60 µ       | 1            | 1              |        |
| 70501/006NL | 001.0190.002 | Electronic resistor, setting 70°C | 60 µ       | 1            | 1              |        |
| 70501/01GL  | 001.0190.003 | Electronic resistor, setting 35°C | 100 µ      | 1            | 1              |        |
| 70501/01NL  | 001.0190.004 | Electronic resistor, setting 70°C | 100 µ      | 1            | 1              |        |
| 70501/03GL  | 001.0190.005 | Electronic resistor, setting 35°C | 300 µ      | 1            | 1              |        |
| 70501/03NL  | 001.0190.006 | Electronic resistor, setting 70°C | 300 µ      | 1            | 1              |        |

Dimensions on page 386





**70502GL/NL**

Strainer filter with electronic heater for diesel, fuel oil and air with aluminium cover and bowl. Max. temperature: 90°C. PN 4. NBR gaskets. 1.1/4" connections.



| Type        | Part number  | Resistor                          | Filtration | Q.ty/Box | Box/ Carton | €/unit |
|-------------|--------------|-----------------------------------|------------|----------|-------------|--------|
| 70502/006GL | 001.0191.001 | Electronic resistor, setting 35°C | 60 µ       | 1        | 1           |        |
| 70502/006NL | 001.0191.002 | Electronic resistor, setting 70°C | 60 µ       | 1        | 1           |        |
| 70502/01GL  | 001.0191.003 | Electronic resistor, setting 35°C | 100 µ      | 1        | 1           |        |
| 70502/01NL  | 001.0191.004 | Electronic resistor, setting 70°C | 100 µ      | 1        | 1           |        |
| 70502/03GL  | 001.0191.005 | Electronic resistor, setting 35°C | 300 µ      | 1        | 1           |        |
| 70502/03NL  | 001.0191.006 | Electronic resistor, setting 70°C | 300 µ      | 1        | 1           |        |

Dimensions on page 386

**70503GL/NL**

Strainer filter with electronic heater for diesel, fuel oil and air with aluminium cover and bowl. Max. temperature: 90°C. PN 4. NBR gaskets. 1.1/2" connections.



| Type        | Part number  | Resistor                          | Filtration | Q.ty/Box | Box/ Carton | €/unit |
|-------------|--------------|-----------------------------------|------------|----------|-------------|--------|
| 70503/006GL | 001.0192.001 | Electronic resistor, setting 35°C | 60 µ       | 1        | 1           |        |
| 70503/006NL | 001.0192.002 | Electronic resistor, setting 70°C | 60 µ       | 1        | 1           |        |
| 70503/01GL  | 001.0192.003 | Electronic resistor, setting 35°C | 100 µ      | 1        | 1           |        |
| 70503/01NL  | 001.0192.004 | Electronic resistor, setting 70°C | 100 µ      | 1        | 1           |        |
| 70503/03GL  | 001.0192.005 | Electronic resistor, setting 35°C | 300 µ      | 1        | 1           |        |
| 70503/03NL  | 001.0192.006 | Electronic resistor, setting 70°C | 300 µ      | 1        | 1           |        |

Dimensions on page 386

**PARTS AND ACCESSORIES**

| Type  | Part number  | Description                         | Notes             | Q.ty/Box | Box/ Carton | €/unit |
|-------|--------------|-------------------------------------|-------------------|----------|-------------|--------|
| 70516 | 014.0053.000 | Wall-mounting bracket for 70500     | filter Mod. 70500 | 1        | 1           |        |
| 1603  | 014.0024.000 | 300W GL resistor, setting 35°C IP65 | -                 | 1        | 1           |        |
| 1604  | 014.0025.000 | 300W NL resistor, setting 70°C IP65 | -                 | 1        | 1           |        |



**MAGNETIC FILTERS WITH ELECTRONIC HEATER**
**70501GLM/NLM**

Magnetic strainer filter with electronic heater for diesel, fuel oil and air with aluminium cover and bowl. Max. temperature: 90°C. PN 4. NBR gaskets. 1" connections.

| Type         | Part number  | Resistor                          | Filtration | Q.ty/<br>Box | Box/<br>Carton | €/unit |
|--------------|--------------|-----------------------------------|------------|--------------|----------------|--------|
| 70501/006GLM | 001.0220.001 | Electronic resistor, setting 35°C | 60 µ       | 1            | 1              |        |
| 70501/006NLM | 001.0220.002 | Electronic resistor, setting 70°C | 60 µ       | 1            | 1              |        |
| 70501/01GLM  | 001.0220.003 | Electronic resistor, setting 35°C | 100 µ      | 1            | 1              |        |
| 70501/01NLM  | 001.0220.004 | Electronic resistor, setting 70°C | 100 µ      | 1            | 1              |        |
| 70501/03GLM  | 001.0220.005 | Electronic resistor, setting 35°C | 300 µ      | 1            | 1              |        |
| 70501/03NLM  | 001.0220.006 | Electronic resistor, setting 70°C | 300 µ      | 1            | 1              |        |

Dimensions on page 386


**70502GLM/NLM**

Strainer filter with electronic heater for diesel, fuel oil and air with aluminium cover and bowl. Max. temperature: 90°C. PN 4. NBR gaskets. 1.1/4" connections.

| Type         | Part number  | Resistor                          | Filtration | Q.ty/<br>Box | Box/<br>Carton | €/unit |
|--------------|--------------|-----------------------------------|------------|--------------|----------------|--------|
| 70502/006GLM | 001.0221.001 | Electronic resistor, setting 35°C | 60 µ       | 1            | 1              |        |
| 70502/006NLM | 001.0221.002 | Electronic resistor, setting 70°C | 60 µ       | 1            | 1              |        |
| 70502/01GLM  | 001.0221.003 | Electronic resistor, setting 35°C | 100 µ      | 1            | 1              |        |
| 70502/01NLM  | 001.0221.004 | Electronic resistor, setting 70°C | 100 µ      | 1            | 1              |        |
| 70502/03GLM  | 001.0221.005 | Electronic resistor, setting 35°C | 300 µ      | 1            | 1              |        |
| 70502/03NLM  | 001.0221.006 | Electronic resistor, setting 70°C | 300 µ      | 1            | 1              |        |

Dimensions on page 386


**70503GLM/NLM**

Strainer filter with electronic heater for diesel, fuel oil and air with aluminium cover and bowl. Max. temperature: 90°C. PN 4. NBR gaskets. 1.1/2" connections.

| Type         | Part number  | Resistor                          | Filtration | Q.ty/<br>Box | Box/<br>Carton | €/unit |
|--------------|--------------|-----------------------------------|------------|--------------|----------------|--------|
| 70503/006GLM | 001.0222.001 | Electronic resistor, setting 35°C | 60 µ       | 1            | 1              |        |
| 70503/006NLM | 001.0222.002 | Electronic resistor, setting 70°C | 60 µ       | 1            | 1              |        |
| 70503/01GLM  | 001.0222.003 | Electronic resistor, setting 35°C | 100 µ      | 1            | 1              |        |
| 70503/01NLM  | 001.0222.004 | Electronic resistor, setting 70°C | 100 µ      | 1            | 1              |        |
| 70503/03GLM  | 001.0222.005 | Electronic resistor, setting 35°C | 300 µ      | 1            | 1              |        |
| 70503/03NLM  | 001.0222.006 | Electronic resistor, setting 70°C | 300 µ      | 1            | 1              |        |

Dimensions on page 386



**PARTS AND ACCESSORIES**

| Type  | Part number  | Description                         | Notes             | Q.ty/<br>Box | Box/<br>Carton | €/unit |
|-------|--------------|-------------------------------------|-------------------|--------------|----------------|--------|
| 70516 | 014.0053.000 | Wall-mounting bracket for 70500     | filter Mod. 70500 | 1            | 1              |        |
| 1603  | 014.0024.000 | 300W GL resistor, setting 35°C IP65 | -                 | 1            | 1              |        |
| 1604  | 014.0025.000 | 300W NL resistor, setting 70°C IP65 | -                 | 1            | 1              |        |

**SPECIAL FILTER**

**70370**

Water separator filter for diesel, fuel oil and air with aluminium cover and transparent bowl. Max. temperature: 50°C. PN 2. NBR gaskets. 3/8" connections.

| Type      | Part number  | Cartridge type            | Filtration | Q.ty/<br>Box | Box/<br>Carton | €/unit |
|-----------|--------------|---------------------------|------------|--------------|----------------|--------|
| 70370/006 | 001.0080.002 | Stainless steel cartridge | 60 µ       | 10           | 10             |        |
| 70370/01  | 001.0080.003 | Stainless steel cartridge | 100 µ      | 10           | 10             |        |

Dimensions on page 386



**ACCESSORIES**

| Type  | Part number  | Description               | Notes                | Q.ty/<br>Box | Box/<br>Carton | €/unit |
|-------|--------------|---------------------------|----------------------|--------------|----------------|--------|
| 70358 | 014.0051.000 | Fixing bracket and screws | filter Mod. 70370/RE | 1            | 1              |        |

**70351A**

Two-way strainer filter for diesel, fuel oil and air with aluminium cover and bowl. Screw valve on suction and check valve on return. Max. temperature: 50°C. PN 2. NBR gaskets. 3/8" connections.

| Type         | Part number  | Cartridge type                    | Filtration | Q.ty/<br>Box | Box/<br>Carton | €/unit |
|--------------|--------------|-----------------------------------|------------|--------------|----------------|--------|
| 70351/0015AP | 001.0060.001 | Paper filter                      | 15 µ       | 10           | 10             |        |
| 70351/006A   | 001.0060.003 | Stainless steel pleated cartridge | 60 µ       | 10           | 10             |        |
| 70351/01A    | 001.0060.004 | Stainless steel pleated cartridge | 100 µ      | 10           | 10             |        |

Dimensions on page 387



**70351P**

Two-way strainer filter for diesel, fuel oil and air with aluminium cover and transparent bowl. Screw valve on suction and check valve on return.

Max. temperature: 50°C. PN 2. NBR gaskets. 3/8" connections.

| Type         | Part number  | Cartridge type                       | Filtration | Q.ty/<br>Box | Box/<br>Carton | €/unit |
|--------------|--------------|--------------------------------------|------------|--------------|----------------|--------|
| 70351/0015PP | 001.0061.001 | Paper filter                         | 15 µ       | 10           | 10             |        |
| 70351/006P   | 001.0061.003 | Stainless steel<br>pleated cartridge | 60 µ       | 10           | 10             |        |
| 70351/01P    | 001.0061.004 | Stainless steel<br>pleated cartridge | 100 µ      | 10           | 10             |        |

Dimensions on page 387


**RG2**

Two-way strainer filter for diesel, with large filtration area, bowl fastened with ring-nut. Screw valve on suction and check valve on return, complete with fixing bracket. CW617N brass body and ring-nut. Transparent plastic bowl. 3/8" F connections with bushes for Ø 6x8, 8x10 and 10x12 mm pipes.

| Type | Part number | Cartridge type | Filtration | Q.ty/<br>Box | Box/<br>Carton | €/unit |
|------|-------------|----------------|------------|--------------|----------------|--------|
| RG2  | 0130100     | -              | 260 µ      | 1            | 32             |        |

Dimensions on page 387


**RV2**

Two-way strainer filter for diesel with screw valve on suction and check valve on return, complete with fixing bracket. CW617N brass body and ring-nut. Transparent plastic bowl. 3/8" F connections with bushes for Ø 6x8, 8x10 and 10x12 mm pipes. Burner side connections: 3/8" F.

| Type | Part number | Cartridge type | Filtration | Q.ty/<br>Box | Box/<br>Carton | €/unit |
|------|-------------|----------------|------------|--------------|----------------|--------|
| RV2  | 0133100     | -              | 200 µ      | 1            | 50             |        |

Dimensions on page 387


**RV1**

One-way strainer filter for diesel, with screw valve and fixing bracket. CW617N brass body. Transparent plastic bowl. Burner side 3/8" F connections, with bushes for Ø 6x8, 8x10 and 10x12 mm pipes. Tank side 3/8" F connection. Filtering capacity 200 microns.

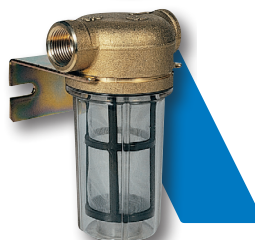
| Type | Part number | Cartridge type | Filtration | Q.ty/<br>Box | Box/<br>Carton | €/unit |
|------|-------------|----------------|------------|--------------|----------------|--------|
| RV1  | 0135100     | -              | 200 µ      | 1            | 50             |        |

Dimensions on page 387


**V1**

One-way strainer filter for diesel, like RV1 but without shut-off valve.

| Type | Part number | Cartridge type | Filtration | Q.ty/<br>Box | Box/<br>Carton | €/unit |
|------|-------------|----------------|------------|--------------|----------------|--------|
| V1   | 0138100     | -              | 200 µ      | 1            | 50             |        |



**RZ**

Recirculation filter for diesel that makes it possible to eliminate the return pipe to the tank, with screw valve on suction and by-pass valve on return. Complete with fixing bracket. CW617N brass body. Transparent plastic bowl. 2 burner side 3/8" F connections, with bushes for Ø 4x6, 6x8, 8x10 and 10x12 mm pipes. Tank side 3/8" F connection.



| Type | Part number | Cartridge type | Filtration | Q.ty/Box | Box/ Carton | €/unit |
|------|-------------|----------------|------------|----------|-------------|--------|
| RZ   | 0137100     | -              | 200 µ      | 1        | 40          |        |

Dimensions on page 387

**ACCESSORIES**

| Type  | Part number  | Description               | Notes                | Q.ty/Box | Box/ Carton | €/unit |
|-------|--------------|---------------------------|----------------------|----------|-------------|--------|
| 70358 | 014.0051.000 | Fixing bracket and screws | filter Mod. 70370/RE | 1        | 1           |        |

**70450**

Special strainer filter for biodiesel, petrodiesel, fuel oil and air with aluminium cover and bowl. Max. temperature: 90°C. PN 2. Viton gaskets. Filtration 100 microns.



| Type        | Part number  | Cartridge type                                 | Connections | Q.ty/Box | Box/ Carton | €/unit |
|-------------|--------------|--|-------------|----------|-------------|--------|
| 70452/01AGE | 001.0030.007 | Stainless steel pleated cartridge. Viton seals | 1/4"        | 10       | 10          |        |
| 70451/01AGE | 001.0032.007 | Stainless steel pleated cartridge. Viton seals | 3/8"        | 10       | 10          |        |

Dimensions on page 384

**70310**

Special strainer filter for biodiesel, petrodiesel, fuel oil and air with aluminium cover and bowl. Max. temperature: 90°C. PN 2. Viton gaskets. Filtration 100 microns.



| Type       | Part number  | Cartridge type                                 | Connections | Q.ty/Box | Box/ Carton | €/unit |
|------------|--------------|--|-------------|----------|-------------|--------|
| 70311/01AE | 001.0072.006 | Stainless steel pleated cartridge. Viton seals | 3/8"        | 10       | 10          |        |
| 70312/01AE | 001.0074.006 | Stainless steel pleated cartridge. Viton seals | 1/2"        | 10       | 10          |        |

Dimensions on page 385

**70100**

Special strainer filter for biodiesel, petrodiesel, fuel oil and air with aluminium cover and bowl. Max. temperature: 90°C. PN 2. Viton gaskets. Filtration 100 microns.



| Type      | Part number  | Cartridge type                                 | Connections | Q.ty/Box | Box/ Carton | €/unit |
|-----------|--------------|--|-------------|----------|-------------|--------|
| 70107/01E | 001.0110.005 | Stainless steel pleated cartridge. Viton seals | 1/2"        | 6        | 6           |        |
| 70104/01E | 001.0112.005 | Stainless steel pleated cartridge. Viton seals | 3/4"        | 6        | 6           |        |
| 70101/01E | 001.0111.005 | Stainless steel pleated cartridge. Viton seals | 1"          | 6        | 6           |        |

Dimensions on page 385

**70500**

Special strainer filter for biodiesel, petrodiesel, fuel oil and air with aluminium cover and bowl. Max. temperature: 90°C. PN 2. Viton gaskets. Filtration 100 microns.



| Type      | Part number  | Cartridge type                                 | Connections | Q.ty/Box | Box/ Carton | €/unit |
|-----------|--------------|--|-------------|----------|-------------|--------|
| 70501/01E | 001.0140.005 | Stainless steel pleated cartridge. Viton seals | 1"          | 1        | 1           |        |
| 70502/01E | 001.0141.005 | Stainless steel pleated cartridge. Viton seals | 1.1/4"      | 1        | 1           |        |
| 70503/01E | 001.0142.005 | Stainless steel pleated cartridge. Viton seals | 1.1/2"      | 1        | 1           |        |

Dimensions on page 386

**ACCESSORIES**

| Type  | Part number  | Description               | Notes             | Q.ty/Box | Box/ Carton | €/unit |
|-------|--------------|---------------------------|-------------------|----------|-------------|--------|
| 70410 | 014.0050.000 | Fixing bracket and screws | filter Mod. 70450 | 1        | 1           |        |
| 70358 | 014.0051.000 | Fixing bracket and screws | filter Mod. 70310 | 1        | 1           |        |
| 1543  | 014.0052.000 | Fixing bracket and screws | filter Mod. 70100 | 1        | 1           |        |

**PARTS FOR STRAINER FILTERS**
**60450**

Pleated cartridges for filters 70451 - 70452 - AL, AG, PL, PG, AGE, AP, PP. Pleated cartridge only for filter 70370.



| Type        | Part number  | Description                           | Filtration | Q.ty/Box | Box/ Carton | €/unit |
|-------------|--------------|---------------------------------------|------------|----------|-------------|--------|
| 60450/0015P | 014.0390.000 | Paper filter                          | 15 µ       | 1        | 1           |        |
| 60450/006G  | 014.4031.002 | Stainless steel pleated cartridge     | 60 µ       | 1        | 1           |        |
| 60450/006L  | 014.4032.001 | Stainless steel cylindrical cartridge | 60 µ       | 1        | 1           |        |
| 60450/01G   | 014.4031.003 | Stainless steel pleated cartridge     | 100 µ      | 1        | 1           |        |
| 60450/01L   | 014.4032.002 | Stainless steel cylindrical cartridge | 100 µ      | 1        | 1           |        |

**60300**

Pleated cartridges for filters 70301- 70302- 70303- 70351- A, AP, P, PP. For filters 70371RE and 70372RE.



| Type        | Part number  | Description   | Filtration | Q.ty/Box | Box/ Carton | €/unit |
|-------------|--------------|---|------------|----------|-------------|--------|
| 60300/0015P | 014.4050.001 | Paper filter  | 15 µ       | 1        | 1           |        |
| 60300/006   | 014.4051.002 | Stainless steel pleated cartridge                   | 60 µ       | 1        | 1           |        |
| 60300/01    | 014.4051.003 | Stainless steel pleated cartridge                   | 100 µ      | 1        | 1           |        |
| 60300/01RE  | 014.4051.004 | Stainless steel pleated cartridge for Mod. 70370/RE | 300 µ      | 1        | 1           |        |

**60200**

Pleated cartridges for filters 70311 - 70312- 70313- 70207- A, AP, P, PP.



| Type        | Part number  | Description                       | Filtration | Q.ty/<br>Box | Box/<br>Carton | €/unit |
|-------------|--------------|-----------------------------------|------------|--------------|----------------|--------|
| 60200/0015P | 014.4070.001 | Paper filter                      | 15 μ       | 1            | 1              |        |
| 60200/006   | 014.4071.002 | Stainless steel pleated cartridge | 60 μ       | 1            | 1              |        |
| 60200/01    | 014.4071.003 | Stainless steel pleated cartridge | 100 μ      | 1            | 1              |        |
| 60200/03    | 014.4071.004 | Galvanized steel cartridge        | 300 μ      | 1            | 1              |        |

**60100**

Pleated cartridges for filters 70101 - 70104 - 70107.



| Type      | Part number  | Description                       | Filtration | Q.ty/<br>Box | Box/<br>Carton | €/unit |
|-----------|--------------|-----------------------------------|------------|--------------|----------------|--------|
| 60100/006 | 014.4110.002 | Stainless steel pleated cartridge | 60 μ       | 1            | 1              |        |
| 60100/01  | 014.4110.003 | Stainless steel pleated cartridge | 100 μ      | 1            | 1              |        |
| 60100/03  | 014.4110.004 | Galvanized steel cartridge        | 300 μ      | 1            | 1              |        |

**60150**

Pleated cartridges for filters 70151 - 70157 - GL, NL, M.



| Type      | Part number  | Description                       | Filtration | Q.ty/<br>Box | Box/<br>Carton | €/unit |
|-----------|--------------|-----------------------------------|------------|--------------|----------------|--------|
| 60150/006 | 014.4180.002 | Stainless steel pleated cartridge | 60 μ       | 1            | 1              |        |
| 60150/01  | 014.4180.003 | Stainless steel pleated cartridge | 100 μ      | 1            | 1              |        |
| 60150/03  | 014.4180.004 | Galvanized steel cartridge        | 300 μ      | 1            | 1              |        |

**60500**

Pleated cartridges for filters 70501 - 70502 - 70503 - GL, NL, M, GLM, NLM.



| Type      | Part number  | Description                       | Filtration | Q.ty/<br>Box | Box/<br>Carton | €/unit |
|-----------|--------------|-----------------------------------|------------|--------------|----------------|--------|
| 60500/006 | 014.4140.002 | Stainless steel pleated cartridge | 60 μ       | 1            | 1              |        |
| 60500/01  | 014.4140.003 | Stainless steel pleated cartridge | 100 μ      | 1            | 1              |        |
| 60500/03  | 014.4140.004 | Galvanized steel cartridge        | 300 μ      | 1            | 1              |        |



**60504**

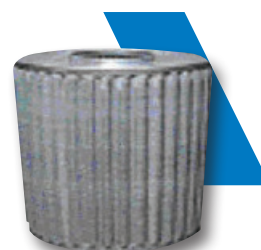
Pleated cartridges for filters 70504.

| Type      | Part number  | Description                       | Filtration | Q.ty/<br>Box | Box/<br>Carton | €/unit |
|-----------|--------------|-----------------------------------|------------|--------------|----------------|--------|
| 60504/006 | 014.4141.002 | Stainless steel pleated cartridge | 60 μ       | 1            | 1              |        |
| 60504/01  | 014.4141.003 | Stainless steel pleated cartridge | 100 μ      | 1            | 1              |        |
| 60504/03  | 014.4141.004 | Galvanized steel cartridge        | 300 μ      | 1            | 1              |        |


**60700**

Pleated cartridges for filters 70700.

| Type      | Part number  | Description                       | Filtration | Q.ty/<br>Box | Box/<br>Carton | €/unit |
|-----------|--------------|-----------------------------------|------------|--------------|----------------|--------|
| 60150/006 | 014.4180.002 | Stainless steel pleated cartridge | 60 μ       | 1            | 1              |        |
| 60150/01  | 014.4180.003 | Stainless steel pleated cartridge | 100 μ      | 1            | 1              |        |
| 60150/03  | 014.4180.004 | Galvanized steel cartridge        | 300 μ      | 1            | 1              |        |


**SS**

Replacement cartridge for filters RG2, RV2-RV1-RZ-V1.

| Type | Part number | Description  | Filtration | Q.ty/<br>Box | Box/<br>Carton | €/unit |
|------|-------------|--|------------|--------------|----------------|--------|
| SS   | 0199010     | Replacement cylindrical cartridge for RG2 filter           | 260 μ      | 1            | 10             |        |
| SS   | 0199016     | Replacement cylindrical cartridge for RV2-RV1-RZ-V1 filter | 200 μ      | 1            | 10             |        |





GASKET KIT

| Type  | Part number  | Filter Model  | Cartridge type                   | Q.ty/ Box | Box/ Carton | €/unit |
|-------|--------------|---------------|----------------------------------|-----------|-------------|--------|
| 3198  | 014.0065.002 | 70450         | Cylindrical and Paper. NBR seals | 1         | 1           |        |
| 3198V | 014.0065.005 | 70450         | Cylindrical. VITON seals         | 1         | 1           |        |
| 3199  | 014.0065.003 | 70450         | Pleated. NBR seals               | 1         | 1           |        |
| 3204  | 014.0066.001 | 70300         | Pleated Paper. NBR seals         | 1         | 1           |        |
| 3204V | 014.0066.002 | 70300         | Pleated. VITON seals             | 1         | 1           |        |
| 3203  | 014.0067.001 | 70310         | Pleated Paper. NBR seals         | 1         | 1           |        |
| 3202  | 014.0068.001 | 70351         | Pleated Paper. NBR seals         | 1         | 1           |        |
| 3205  | 014.0069.001 | 70200         | Pleated Paper. NBR seals         | 1         | 1           |        |
| 3205V | 014.0069.002 | 70200         | Pleated. VITON seals             | 1         | 1           |        |
| 3207  | 014.0070.001 | 70100         | Pleated. NBR seals               | 1         | 1           |        |
| 3207V | 014.0070.002 | 70100         | Pleated. VITON seals             | 1         | 1           |        |
| 3206  | 014.0071.001 | 70150         | Pleated. NBR seals               | 1         | 1           |        |
| 3201  | 014.0072.001 | 70370         | Pleated. NBR seals               | 1         | 1           |        |
| 3200  | 014.0073.001 | 70370/RE      | Pleated. NBR seals               | 1         | 1           |        |
| 3197  | 014.0074.001 | 70500         | Pleated. NBR seals               | 1         | 1           |        |
| 3197V | 014.0074.002 | 70500         | Pleated. VITON seals             | 1         | 1           |        |
| 3196  | 014.0075.001 | 70700         | Pleated. NBR seals               | 1         | 1           |        |
| 3196V | 014.0075.002 | 70700         | Pleated. VITON seals             | 1         | 1           |        |
| OR    | 0199013      | RG2           | Cylindrical. NBR seals           | 10        | 10          |        |
| OR    | 0199022      | RV2-RV1-RZ-V1 | Cylindrical. NBR seals           | 10        | 10          |        |

**COVER KIT**

| Type         | Part number  | Filter Model     | Notes | Q.ty/<br>Box | Box/<br>Carton | €/unit |
|--------------|--------------|------------------|-------|--------------|----------------|--------|
| 506.0184.000 | 014.0350.000 | 70451            | -     | 1            | 1              |        |
| 506.0186.000 | 014.0351.000 | 70452            | -     | 1            | 1              |        |
| C70301       | 014.0352.000 | 70301 -<br>70311 | -     | 1            | 1              |        |
| C70302       | 014.0353.000 | 70302 -<br>70312 | -     | 1            | 1              |        |
| C70303       | 014.0354.000 | 70303 -<br>70313 | -     | 1            | 1              |        |
| C70351       | 014.0355.000 | 70351            | -     | 1            | 1              |        |
| C70370       | 014.0356.000 | 70370            | -     | 1            | 1              |        |
| C70107       | 014.0358.000 | 70107            | -     | 1            | 1              |        |
| C70104       | 014.0364.000 | 70104            | -     | 1            | 1              |        |
| C70101       | 014.0359.000 | 70101            | -     | 1            | 1              |        |
| C70501       | 014.0360.000 | 70501            | -     | 1            | 1              |        |
| C70502       | 014.0361.000 | 70502            | -     | 1            | 1              |        |
| C70503       | 014.0362.000 | 70503            | -     | 1            | 1              |        |
| C70512       | 014.0363.000 | 70504            | -     | 1            | 1              |        |

**BOWL KIT**

| Type    | Part number  | Filter Model    | Notes | Q.ty/<br>Box | Box/<br>Carton | €/unit |
|---------|--------------|-----------------|-------|--------------|----------------|--------|
| B70450P | 014.0400.000 | 70450P          | -     | 1            | 1              |        |
| B70450A | 014.0405.000 | 70450A          | -     | 1            | 1              |        |
| B70300P | 014.0401.000 | 70300P - 70350P | -     | 1            | 1              |        |
| B70300A | 014.0406.000 | 70300A - 70350A | -     | 1            | 1              |        |
| B70310P | 014.0402.000 | 70310P - 70370  | -     | 1            | 1              |        |
| B70310A | 014.0407.000 | 70310A          | -     | 1            | 1              |        |
| B70150  | 014.0403.000 | 70150           | -     | 1            | 1              |        |
| B70100  | 014.0409.000 | 70100           | -     | 1            | 1              |        |
| B70500  | 014.0410.000 | 70500           | -     | 1            | 1              |        |
| B70500T | 014.0404.000 | 70500T/M/GL/NL  | -     | 1            | 1              |        |
| TK      | 0199012      | RG2             | -     | 1            | 10             |        |
| TK      | 0199017      | RV2-RV1-RZ-V1   | -     | 1            | 10             |        |

**SELF-CLEANING FILTERS**

**21003**

Self-cleaning filter for diesel and fuel oil with aluminium cover and bowl. PN 4. 1"x1"x1/2" threaded connections.

| Type     | Part number  | Filtration | Q.ty/Box | Box/Carton | €/unit |
|----------|--------------|------------|----------|------------|--------|
| 21003/01 | 003.0040.001 | 100 µ      | 1        | 1          |        |
| 21003/03 | 003.0040.002 | 300 µ      | 1        | 1          |        |
| 21003/06 | 003.0040.003 | 600 µ      | 1        | 1          |        |

Dimensions on page 388



**21005**

Self-cleaning filter for diesel and fuel oil with aluminium cover and bowl. PN 4. 1/2"x1/2" threaded connections.

| Type     | Part number  | Filtration | Q.ty/Box | Box/Carton | €/unit |
|----------|--------------|------------|----------|------------|--------|
| 21005/01 | 003.0042.001 | 100 µ      | 1        | 1          |        |
| 21005/03 | 003.0042.002 | 300 µ      | 1        | 1          |        |
| 21005/06 | 003.0042.003 | 600 µ      | 1        | 1          |        |

Dimensions on page 388



**21008**

Self-cleaning filter for diesel and fuel oil with aluminium cover and bowl. PN 4. 1"x1" threaded connections.

| Type     | Part number  | Filtration | Q.ty/Box | Box/Carton | €/unit |
|----------|--------------|------------|----------|------------|--------|
| 21008/01 | 003.0043.001 | 100 µ      | 1        | 1          |        |
| 21008/03 | 003.0043.002 | 300 µ      | 1        | 1          |        |
| 21008/06 | 003.0043.003 | 600 µ      | 1        | 1          |        |

Dimensions on page 388



**31003**

Self-cleaning filter for diesel and fuel oil with aluminium cover and bowl. PN 4. 1"x1"x1/2" threaded connections.

| Type     | Part number  | Filtration | Q.ty/Box | Box/Carton | €/unit |
|----------|--------------|------------|----------|------------|--------|
| 31003/01 | 003.0050.001 | 100 µ      | 1        | 1          |        |
| 31003/03 | 003.0050.002 | 300 µ      | 1        | 1          |        |
| 31003/06 | 003.0050.003 | 600 µ      | 1        | 1          |        |

Dimensions on page 388



**31008**

Self-cleaning filter for diesel and fuel oil with aluminium cover and bowl. PN 4. 1"x1" threaded connections.

| Type     | Part number  | Filtration | Q.ty/Box | Box/Carton | €/unit |
|----------|--------------|------------|----------|------------|--------|
| 31008/01 | 003.0051.001 | 100 µ      | 1        | 1          |        |
| 31008/03 | 003.0051.002 | 300 µ      | 1        | 1          |        |
| 31008/06 | 003.0051.003 | 600 µ      | 1        | 1          |        |

Dimensions on page 388



**PARTS AND ACCESSORIES**

| Type   | Part number  | Description   | Q.ty/Box | Box/Car-ton | €/unit |
|--------|--------------|---|----------|-------------|--------|
| 1328   | 015.0040.001 | 230V 50-60 Hz motor for Mod. 21000 - 31000                | 1        | 1           |        |
| 1328/L | 015.0040.002 | Motor + torque limiter for Mod. 21000 - 31000             | 1        | 1           |        |
| 1616   | 014.0026.000 | 100W electronic resistor                                  | 1        | 1           |        |
| 3240   | 014.0130.001 | Shaft seal kit for Mod. 11012, 21000, 31000, 41000        | 1        | 1           |        |
| 1494   | 014.0030.000 | Electric motor for Mod. 1328, 1328L, 1329, 1329L          | 1        | 1           |        |
| 1339   | 014.0128.000 | Torque limiter for Mod. 1328, 1328L, 1329, 1329L          | 1        | 1           |        |
| 1345   | 014.0031.000 | Motor support for torque limiter for Mod. 1328L and 1329L | 1        | 1           |        |

**41000**

Self-cleaning filter for diesel and fuel oil with aluminium cover and bowl. PN 4. 1.1/2"x1.1/2" threaded connections.

| Type     | Part number  | Filtration | Q.ty/Box | Box/Car-ton | €/unit |
|----------|--------------|------------|----------|-------------|--------|
| 41000/01 | 003.0060.001 | 100 µ      | 1        | 1           |        |
| 41000/03 | 003.0060.002 | 300 µ      | 1        | 1           |        |
| 41000/06 | 003.0060.003 | 600 µ      | 1        | 1           |        |

Dimensions on page 388


**PARTS AND ACCESSORIES**

| Type   | Part number  | Description                           | Q.ty/Box | Box/Car-ton | €/unit |
|--------|--------------|---------------------------------------|----------|-------------|--------|
| 1809   | 014.0017.000 | Magnetic insert                       | 1        | 1           |        |
| 1603   | 014.0024.000 | 300W GL resistor, setting 35°C IP65   | 1        | 1           |        |
| 1604   | 014.0025.000 | 300W NL resistor, setting 70°C IP65   | 1        | 1           |        |
| 1329   | 015.0050.001 | 230V 50-60 Hz motor for Mod. 41000    | 1        | 1           |        |
| 1329/L | 015.0050.002 | Motor + torque limiter for Mod. 41000 | 1        | 1           |        |

**51000**

Self-cleaning filter for diesel and fuel oil with aluminium cover and bowl. PN 4. 2"x2" threaded connections.

| Type      | Part number  | Filtration | Q.ty/Box | Box/Car-ton | €/unit |
|-----------|--------------|------------|----------|-------------|--------|
| 51000/025 | 003.0070.001 | 250 µ      | 1        | 1           |        |
| 51000/05  | 003.0070.002 | 500 µ      | 1        | 1           |        |
| 51000/075 | 003.0070.003 | 750 µ      | 1        | 1           |        |

Dimensions on page 388


**51000F**

Self-cleaning filter for diesel and fuel oil with aluminium cover and bowl. PN 4. DN50 flanged connections.

| Type       | Part number  | Filtration | Q.ty/Box | Box/Car-ton | €/unit |
|------------|--------------|------------|----------|-------------|--------|
| 51000/025F | 003.0071.001 | 250 µ      | 1        | 1           |        |
| 51000/05F  | 003.0071.002 | 500 µ      | 1        | 1           |        |
| 51000/075F | 003.0071.003 | 750 µ      | 1        | 1           |        |

Dimensions on page 388



**PARTS AND ACCESSORIES**

| Type | Part number  | Description  | Q.ty/Box | Box/Carton | €/unit |
|------|--------------|--|----------|------------|--------|
| 1670 | 014.0018.000 | Magnetic insert  | 1        | 1          |        |
| 1603 | 014.0024.000 | 300W GL resistor, setting 35°C<br>IP65                       | 1        | 1          |        |
| 1604 | 014.0025.000 | 300W NL resistor, setting 70°C<br>IP65                       | 1        | 1          |        |
| 1324 | 015.0060.001 | 230V 50-60 Hz single-phase<br>motor for Mod. 51000           | 1        | 1          |        |
| 1325 | 015.0060.002 | 230/380V 50-60 Hz three-<br>phase motor for Mod. 51000       | 1        | 1          |        |
| 586  | 014.0054.000 | Wall-mounting bracket  | 1        | 1          |        |
| 3240 | 014.0130.001 | Shaft seal kit for Mod. 21000,<br>31000, 41000               | 1        | 1          |        |
| 1494 | 014.0030.000 | Electric motor for Mod. 1328,<br>1328L, 1329, 1329L          | 1        | 1          |        |
| 1339 | 014.0128.000 | Torque limiter for Mod. 1328,<br>1328L, 1329, 1329L          | 1        | 1          |        |
| 1345 | 014.0031.000 | Motor support for torque limiter<br>for Mod. 1328L and 1329L | 1        | 1          |        |

**HIGH-PRESSURE SELF-CLEANING FILTERS**

**45000**

High-pressure self-cleaning filter for diesel and fuel oil with aluminium cover and bowl. PN 15. 1.1/2"x1.1/2" threaded connections.

| Type     | Part number  | Filtration | Q.ty/Box | Box/Carton | €/unit |
|----------|--------------|------------|----------|------------|--------|
| 45000/01 | 003.0090.001 | 100 µ      | 1        | 1          |        |
| 45000/03 | 003.0090.002 | 300 µ      | 1        | 1          |        |
| 45000/06 | 003.0090.003 | 600 µ      | 1        | 1          |        |

Dimensions on page 389



**PARTS AND ACCESSORIES**

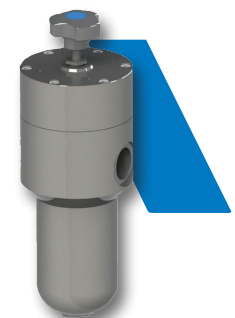
| Type  | Part number  | Description  | Q.ty/Box | Box/Carton | €/unit |
|-------|--------------|--|----------|------------|--------|
| 3370  | 015.0080.001 | 230V 50-60 Hz single-phase<br>motor for Mod. 45000     | 1        | 1          |        |
| 3371  | 015.0080.002 | 230/380V 50-60 Hz three-<br>phase motor for Mod. 45000 | 1        | 1          |        |
| F3361 | 014.0005.000 | Counter-flange kit for Mod.<br>45000                   | 1        | 1          |        |

**21005FE**

High-pressure self-cleaning filter for diesel and fuel oil with galvanised steel cover and bowl. PN 30. 1/2"x1/2" threaded connections.

| Type      | Part number  | Filtration | Q.ty/Box | Box/Carton | €/unit |
|-----------|--------------|------------|----------|------------|--------|
| 2100501FE | 003.0045.101 | 100 µ      | 1        | 1          |        |
| 2100503FE | 003.0045.102 | 300 µ      | 1        | 1          |        |
| 2100506FE | 003.0045.103 | 600 µ      | 1        | 1          |        |

Dimensions on page 389

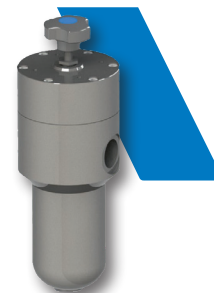


**21008FE**

High-pressure self-cleaning filter for diesel and fuel oil with galvanised steel cover and bowl. PN 30. 1"x1" threaded connections.

| Type      | Part number  | Filtration | Q.ty/Box | Box/Carton | €/unit |
|-----------|--------------|------------|----------|------------|--------|
| 2100801FE | 003.0047.001 | 100 µ      | 1        | 1          |        |
| 2100803FE | 003.0047.002 | 300 µ      | 1        | 1          |        |
| 2100806FE | 003.0047.003 | 600 µ      | 1        | 1          |        |

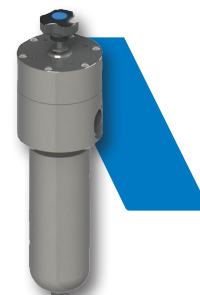
Dimensions on page 389


**31008FE**

High-pressure self-cleaning filter for diesel and fuel oil with galvanised steel cover and bowl. PN 30. 1"x1" threaded connections.

| Type      | Part number  | Filtration | Q.ty/Box | Box/Carton | €/unit |
|-----------|--------------|------------|----------|------------|--------|
| 3100801FE | 003.0052.101 | 100 µ      | 1        | 1          |        |
| 3100803FE | 003.0052.102 | 300 µ      | 1        | 1          |        |
| 3100806FE | 003.0052.103 | 600 µ      | 1        | 1          |        |

Dimensions on page 389


**HEATED SELF-CLEANING FILTERS**
**21005/RE**

Heated self-cleaning filter for diesel and fuel oil with aluminium cover and bowl. PN 4. 1/2"x 1/2" threaded connections.

| Type       | Part number  | Filtration | Q.ty/Box | Box/Carton | €/unit |
|------------|--------------|------------|----------|------------|--------|
| 21005/01RE | 003.0042.004 | 100 µ      | 1        | 1          |        |
| 21005/03RE | 003.0042.005 | 300 µ      | 1        | 1          |        |
| 21005/06RE | 003.0042.006 | 600 µ      | 1        | 1          |        |

Dimensions on page 389


**31003/RE**

Heated self-cleaning filter for diesel and fuel oil with aluminium cover and bowl. PN 4. 1"x1"x 1/2" threaded connections.

| Type       | Part number  | Filtration | Q.ty/Box | Box/Carton | €/unit |
|------------|--------------|------------|----------|------------|--------|
| 31003/01RE | 003.0050.004 | 100 µ      | 1        | 1          |        |
| 31003/03RE | 003.0050.005 | 300 µ      | 1        | 1          |        |
| 31003/06RE | 003.0050.006 | 600 µ      | 1        | 1          |        |

Dimensions on page 389


**31008/RE**

Heated self-cleaning filter for diesel and fuel oil with aluminium cover and bowl. PN 4. 1"x1" threaded connections.

| Type       | Part number  | Filtration | Q.ty/Box | Box/Carton | €/unit |
|------------|--------------|------------|----------|------------|--------|
| 31008/01RE | 003.0051.004 | 100 µ      | 1        | 1          |        |
| 31008/03RE | 003.0051.005 | 300 µ      | 1        | 1          |        |
| 31008/06RE | 003.0051.006 | 600 µ      | 1        | 1          |        |

Dimensions on page 389



PARTS AND ACCESSORIES

| Type   | Part number  | Description                                   | Q.ty/Box | Box/Carton | €/unit |
|--------|--------------|---|----------|------------|--------|
| 1328   | 015.0040.001 | 230 V 50-60 Hz motor for Mod. 21000 - 31000   | 1        | 1          |        |
| 1328/L | 015.0040.002 | Motor + torque limiter for Mod. 21000 - 31000 | 1        | 1          |        |
| 1010   | 014.0020.000 | 100W electronic resistor                      | 1        | 1          |        |

41000NL

Heated self-cleaning filter for diesel and fuel oil with aluminium cover and bowl. PN 4. 1.1/2"x1.1/2" threaded connections.

| Type       | Part number  | Filtration | Q.ty/Box | Box/Carton | €/unit |
|------------|--------------|------------|----------|------------|--------|
| 41000/01NL | 003.0060.015 | 100 µ      | 1        | 1          |        |
| 41000/03NL | 003.0060.008 | 300 µ      | 1        | 1          |        |
| 41000/06NL | 003.0060.016 | 600 µ      | 1        | 1          |        |



PARTS AND ACCESSORIES

| Type   | Part number  | Description   | Q.ty/Box | Box/Carton | €/unit |
|--------|--------------|---|----------|------------|--------|
| 1809   | 014.0017.000 | Magnetic insert   | 1        | 1          |        |
| 1603   | 014.0024.000 | 300W GL resistor, setting 35°C IP65                       | 1        | 1          |        |
| 1604   | 014.0025.000 | 300W NL resistor, setting 70°C IP65                       | 1        | 1          |        |
| 1329   | 015.0050.001 | 230V 50-60 Hz motor for Mod. 41000                        | 1        | 1          |        |
| 1329/L | 015.0050.002 | Motor + torque limiter for Mod. 41000                     | 1        | 1          |        |
| 3240   | 014.0130.001 | Shaft seal kit for Mod. 21000, 31000, 41000               | 1        | 1          |        |
| 1494   | 014.0030.000 | Electric motor for Mod. 1328, 1328L, 1329, 1329L          | 1        | 1          |        |
| 1339   | 014.0128.000 | Torque limiter for Mod. 1328, 1328L, 1329, 1329L          | 1        | 1          |        |
| 1345   | 014.0031.000 | Motor support for torque limiter for Mod. 1328L and 1329L | 1        | 1          |        |

51000NL

Heated self-cleaning filter for diesel and fuel oil with aluminium cover and bowl. PN 4. 2"x2" threaded connections.

| Type        | Part number  | Filtration | Q.ty/Box | Box/Carton | €/unit |
|-------------|--------------|------------|----------|------------|--------|
| 51000/025NL | 003.0070.022 | 250 µ      | 1        | 1          |        |
| 51000/05NL  | 003.0070.023 | 500 µ      | 1        | 1          |        |
| 51000/075NL | 003.0070.024 | 750 µ      | 1        | 1          |        |





**51000FNL**

Heated self-cleaning filter for diesel and fuel oil with aluminium cover and bowl. PN 4. DN50 flanged connections.

| Type         | Part number  | Filtration | Q.ty/Box | Box/Carton | €/unit |
|--------------|--------------|------------|----------|------------|--------|
| 51000/025FNL | 003.0071.027 | 250 µ      | 1        | 1          |        |
| 51000/05FNL  | 003.0071.028 | 500 µ      | 1        | 1          |        |
| 51000/075FNL | 003.0071.029 | 750 µ      | 1        | 1          |        |


**PARTS AND ACCESSORIES**

| Type | Part number  | Description   | Q.ty/Box | Box/Car-ton | €/unit |
|------|--------------|---|----------|-------------|--------|
| 1670 | 014.0018.000 | Magnetic insert                                       | 1        | 1           |        |
| 1603 | 014.0024.000 | 300W GL resistor, setting 35°C<br>IP65                | 1        | 1           |        |
| 1604 | 014.0025.000 | 300W NL resistor, setting 70°C<br>IP65                | 1        | 1           |        |
| 1324 | 015.0060.001 | 230V 50-60 Hz single-phase<br>motor for Mod. 51000    | 1        | 1           |        |
| 1325 | 015.0060.002 | 230/380V 50-60 Hz three-phase<br>motor for Mod. 51000 | 1        | 1           |        |
| 586  | 014.0054.000 | Wall-mounting bracket                                 | 1        | 1           |        |

**WASTE OIL FILTER**
**FOEX**

Filter for waste oil, comprising magnetic strainer filter with rating of 300 microns and heated self-cleaning filter with rating of 100 microns. PN 4.

| Type    | Part number  | Description                                   | Q.ty/Box | Box/Carton | €/unit |
|---------|--------------|---|----------|------------|--------|
| FOEX25  | 003.0080.001 | 70501/03M + 31008/01RE<br>1" connections      | 1        | 1          |        |
| FOEX40  | 003.0081.001 | 70503/03M + 41000/01NL<br>1.1/2" connections  | 1        | 1          |        |
| FOEX50F | 003.0083.001 | 70700/03FM + 51000/0<br>25NL DN50 connections | 1        | 1          |        |



Dimensions on page 389

PARTS AND ACCESSORIES

| Type   | Part number  | Description   | Q.ty/Box | Box/Car-ton | €/unit |
|--------|--------------|---|----------|-------------|--------|
| 1328   | 015.0040.001 | 230V 50-60 Hz motor for Mod. 31000                  | 1        | 1           |        |
| 1328/L | 015.0040.002 | 230V 50-60 Hz motor + torque limiter for Mod. 31000 | 1        | 1           |        |
| 1329   | 015.0050.001 | 230V 50-60 Hz single-phase motor for Mod. 41000     | 1        | 1           |        |
| 1329/L | 015.0050.002 | Motor + torque limiter for Mod. 41000               | 1        | 1           |        |
| 1324   | 015.0060.001 | 230V 50-60 Hz single-phase motor for Mod. 51000     | 1        | 1           |        |
| 1325   | 015.0060.002 | 230/380V 50-60 Hz three-phase motor Mod. 51000      | 1        | 1           |        |

PARTS FOR SELF-CLEANING FILTERS

U11012

Part for self-cleaning filter, comprising cover and filter element.

| Type      | Part number  | Type - Filtration      | Q.ty/Box | Box/Car-ton | €/unit |
|-----------|--------------|------------------------|----------|-------------|--------|
| U11012/01 | 004.0030.001 | 11012 / 21005RE - 100µ | 1        | 1           |        |
| U11012/03 | 004.0030.002 | 11012 / 21005RE - 300µ | 1        | 1           |        |
| U11012/06 | 004.0030.003 | 11012 / 21005RE - 600µ | 1        | 1           |        |



U21002

Part for self-cleaning filter, comprising cover and filter element.

| Type      | Part number  | Type - Filtration | Q.ty/Box | Box/Car-ton | €/unit |
|-----------|--------------|-------------------|----------|-------------|--------|
| U21002/01 | 004.0041.001 | 21005 - 100 µ     | 1        | 1           |        |
| U21002/03 | 004.0041.002 | 21005 - 300 µ     | 1        | 1           |        |
| U21002/06 | 004.0041.003 | 21005 - 600 µ     | 1        | 1           |        |



U21008

Part for self-cleaning filter, comprising cover and filter element.

| Type      | Part number  | Type - Filtration                   | Q.ty/Box | Box/Car-ton | €/unit |
|-----------|--------------|-------------------------------------|----------|-------------|--------|
| U21008/01 | 004.0040.001 | 21003/21008/31003RE/31008RE - 100 µ | 1        | 1           |        |
| U21008/03 | 004.0040.002 | 21003/21008/31003RE/31008RE - 300 µ | 1        | 1           |        |
| U21008/06 | 004.0040.003 | 21003/21008/31003RE/31008RE - 600 µ | 1        | 1           |        |



**U31000**

Part for self-cleaning filter, comprising cover and filter element.

| Type      | Part number  | Type - Filtration     | Q.ty/Box | Box/Carton | €/unit |
|-----------|--------------|-----------------------|----------|------------|--------|
| U31000/01 | 004.0050.001 | 31003 / 31008 - 100 µ | 1        | 1          |        |
| U31000/03 | 004.0050.002 | 31003 / 31008 - 300 µ | 1        | 1          |        |
| U31000/06 | 004.0050.003 | 31003 / 31008 - 600 µ | 1        | 1          |        |


**U41000**

Part for self-cleaning filter, comprising cover and filter element.

| Type      | Part number  | Type - Filtration             | Q.ty/Box | Box/Car-ton | €/unit |
|-----------|--------------|-------------------------------|----------|-------------|--------|
| U41000/01 | 004.0060.001 | 41000/41000RB/41000NL - 100 µ | 1        | 1           |        |
| U41000/03 | 004.0060.002 | 41000/41000RB/41000NL - 300 µ | 1        | 1           |        |
| U41000/06 | 004.0060.003 | 41000/41000RB/41000NL - 600 µ | 1        | 1           |        |


**U45000**

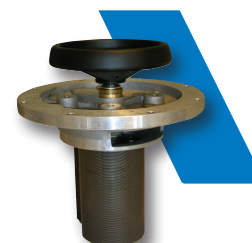
Part for self-cleaning filter, comprising cover and filter element.

| Type      | Part number  | Type - Filtration | Q.ty/Box | Box/Carton | €/unit |
|-----------|--------------|-------------------|----------|------------|--------|
| U45000/01 | 004.0080.001 | 45000 - 100 µ     | 1        | 1          |        |
| U45000/03 | 004.0080.002 | 45000 - 300 µ     | 1        | 1          |        |
| U45000/06 | 004.0080.003 | 45000 - 600 µ     | 1        | 1          |        |


**U51000**

Part for self-cleaning filter, comprising cover and filter element.

| Type       | Part number  | Type - Filtration                                       | Q.ty/Box | Box/Car-ton | €/unit |
|------------|--------------|---|----------|-------------|--------|
| U51000/025 | 004.0070.001 | 51000/51000RB/51000NL/51000F/51000FR-B/51000FNL - 250 µ | 1        | 1           |        |
| U51000/05  | 004.0070.002 | 51000/51000RB/51000NL/51000F/51000FR-B/51000FNL - 500 µ | 1        | 1           |        |
| U51000/75  | 004.0070.003 | 51000/51000RB/51000NL/51000F/51000FR-B/51000FNL - 750 µ | 1        | 1           |        |


**GASKET KIT**

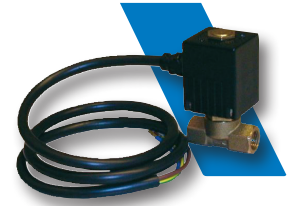
| Type    | Part number  | Type - Material               | Q.ty/Box | Box/Car-ton | €/unit |
|---------|--------------|-------------------------------|----------|-------------|--------|
| 21018   | 014.0001.000 | 11012/21000/31000 - CENTELLEN | 1        | 1           |        |
| OR231   | 014.0002.001 | 41000 - NBR                   | 1        | 1           |        |
| OR8775  | 014.0076.000 | 51000 - NBR                   | 1        | 1           |        |
| OR4350V | 014.0004.000 | 45000 - VITON                 | 1        | 1           |        |

SYSTEM COMPONENTS

**GS1FF**

Normally closed (NC) automatic solenoid valve for automatic diesel shut-off in burner fuel lines. For diesel and fuel oil applications with threaded filters. Quick opening and closing. Brass body.

| Type  | Part number  | Connections - Power supply  | Q.ty/Box | Box/Car-ton | €/unit |
|-------|--------------|-----------------------------|----------|-------------|--------|
| GS1FF | 005.0070.001 | 1/8" - Power supply 230 VAC | 1        | 1           |        |

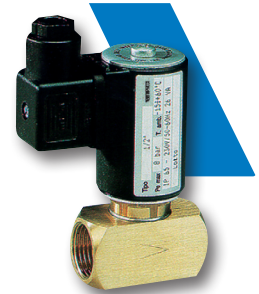


**M10M15**

Normally closed (NC) solenoid valve for automatic diesel shut-off in burner fuel lines. For diesel and fuel oil applications with threaded filters. Brass body. IP rating: IP65. Ambient temperature: -5 to 60°C. PN 4.

| Type   | Part number | Connections - Power supply  | Q.ty/Box | Box/Car-ton | €/unit |
|--------|-------------|-----------------------------|----------|-------------|--------|
| M10M15 | 0150210     | 3/8" - Power supply 230 VAC | 1        | 25          |        |
| M10M15 | 0150215     | 1/2" - Power supply 230 VAC | 1        | 25          |        |

Dimensions on page 390

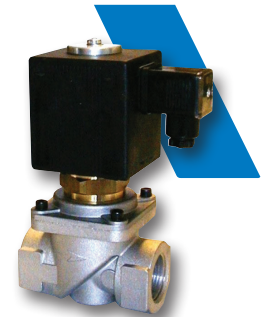


**SVG**

Normally closed automatic solenoid valve for diesel and fuel oil with threaded connections. Quick opening and closing. Aluminium body. Protection rating IP65. Room temperature: -10 to 60°C. PN.8.

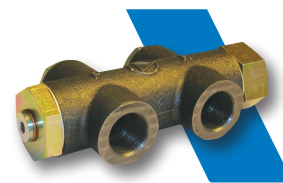
| Type | Part number  | Connections - Power supply       | Q.ty/Box | Box/Car-ton | €/unit |
|------|--------------|----------------------------------|----------|-------------|--------|
| SV20 | 005.0140.001 | 3/4" - Power supply 230 VAC      | 1        | 1           |        |
| SV20 | 005.0140.002 | 3/4" - Power supply 24 VAC/VDC   | 1        | 1           |        |
| SV20 | 005.0140.003 | 3/4" - Power supply 12 VDC       | 1        | 1           |        |
| SV25 | 005.0141.001 | 1" - Power supply 230 VAC        | 1        | 1           |        |
| SV25 | 005.0141.002 | 1" - Power supply 24 VAC/VDC     | 1        | 1           |        |
| SV25 | 005.0141.003 | 1" - Power supply 12 VDC         | 1        | 1           |        |
| SV32 | 005.0142.001 | 1.1/4" - Power supply 230 VAC    | 1        | 1           |        |
| SV32 | 005.0142.002 | 1.1/4" - Power supply 24 VAC/VDC | 1        | 1           |        |
| SV32 | 005.0142.003 | 1.1/4" - Power supply 12 VDC     | 1        | 1           |        |
| SV40 | 005.0143.001 | 1.1/2" - Power supply 230 VAC    | 1        | 1           |        |
| SV40 | 005.0143.002 | 1.1/2" - Power supply 24 VAC/VDC | 1        | 1           |        |
| SV40 | 005.0143.003 | 1.1/2" - Power supply 12 VDC     | 1        | 1           |        |
| SV50 | 005.0144.001 | 2" - Power supply 230 VAC        | 1        | 1           |        |
| SV50 | 005.0144.002 | 2" - Power supply 24 VAC/VDC     | 1        | 1           |        |
| SV50 | 005.0144.003 | 2" - Power supply 12 VDC         | 1        | 1           |        |

Dimensions on page 390



**PRO/PROH**

Pressure regulator for diesel and oil. Brass body. Max. temperature: 250°C.



| Type   | Part number  | Connections - Adjustment - Flow rate                 | Q.ty/Box | Box/Car-ton | €/unit |
|--------|--------------|--|----------|-------------|--------|
| PRO10  | 505.0260.990 | 3/8" - Adjustment 1-5 bar.<br>Flow rate 600 l/h      | 1        | 1           |        |
| PRO20  | 505.0261.990 | 3/4" - Adjustment 1-5 bar.<br>Flow rate 2,000 l/h    | 1        | 1           |        |
| PRO25  | 505.0262.990 | 1" - Adjustment 1-5 bar.<br>Flow rate 6,000 l/h      | 1        | 1           |        |
| PRO32  | 505.0263.990 | 1.1/4" - Adjustment 1-5 bar.<br>Flow rate 10,000 l/h | 1        | 1           |        |
| PROH10 | 505.0264.990 | 3/8" - Adjustment 5-25 bar.<br>Flow rate 1,000 l/h   | 1        | 1           |        |
| PROH20 | 505.0265.990 | 3/4" - Adjustment 5-25 bar.<br>Flow rate 2,500 l/h   | 1        | 1           |        |

Dimensions on page 390

**PARTS FOR DIESEL SOLENOID VALVES**
**PARTS AND ACCESSORIES**

| Type         | Part number  | Description                         | Q.ty/Box | Box/Car-ton | €/unit |
|--------------|--------------|-------------------------------------|----------|-------------|--------|
| 922          | 014.0325.001 | 230V 50-60Hz coil for Mod. GS1FF    | 1        | 1           |        |
| 511.0216.990 | 014.0304.001 | 230V 50-60Hz coil for Mod. SV       | 1        | 1           |        |
| 511.0218.990 | 014.0313.001 | 24V AC/DC coil for Mod. SV          | 1        | 1           |        |
| 511.0217.990 | 014.0322.001 | 12VDC coil for Mod. SV              | 1        | 1           |        |
| 2104         | 014.0277.001 | 230V RAC connector for Mod. SV      | 1        | 1           |        |
| 226          | 014.0279.001 | 24V AC/DC RAC connector for Mod. SV | 1        | 1           |        |
| 2105         | 014.0275.001 | 12VDC RAC connector for Mod. SV     | 1        | 1           |        |

LEVEL INDICATORS, PROBES AND ACCESSORIES

TLM - TELEVAR

Universal remote pneumatic level indicator. For tanks of any shape and height between 900 and 3000 mm (item 103) and between 3000 and 5000 mm (item 105). Standard dial in percentage volume for cylindrical tanks. Tank connection suitable for pipe with external diameter of 6mm. Case with 3 external mounting slots.

| Type | Part number | Description         | Q.ty/Box | Box/ Carton | €/unit |
|------|-------------|---------------------|----------|-------------|--------|
| TLM  | 0101103     | Max tank height 3m  | 1        | 10          |        |
| TLM  | 0101105     | Tank height 3 to 5m | 1        | 10          |        |

Dimensions on page 391



PE50

Polythene hose for connecting TELEVAR remote indicator to G20 Series diesel probe. Hose Ø 4x6 mm. Roll length: 50 metres.

| Type | Part number | Description | Q.ty/Box | Box/Car- ton | €/unit |
|------|-------------|-------------|----------|--------------|--------|
| PE50 | 0105150     | 50m roll    | 50       | 1            |        |



G20

Diesel probe. Fitted on tank for connection to TELEVAR remote indicator. 1" metal fitting with connection for 6 mm hose (external Ø). Perbunan pick-up tube with bottom spacer.

| Type | Part number | Connections - Length | Q.ty/Box | Box/Car- ton | €/unit |
|------|-------------|----------------------|----------|--------------|--------|
| G20  | 0104120     | 1" - 220cm           | 1        | 10           |        |
| G20  | 0104130     | 1" - 320cm           | 1        | 5            |        |
| G20  | 0104150     | 1" - 520cm           | 1        | 5            |        |



MECAV

Universal mechanical level indicator with vertical reading, complete with seal for tight tank connection. Set by means of external screw. High-impact plastic case and cover. Measuring range: 0-2000 mm.

| Type  | Part number | Connections | Q.ty/Box | Box/Car- ton | €/unit |
|-------|-------------|-------------|----------|--------------|--------|
| MECAV | 0103100     | 1.1/2"      | 1        | 20           |        |

Dimensions on page 391



MECAH

Universal mechanical level indicator with horizontal reading, complete with seal for tight tank connection. Set by means of external screw. High-impact plastic case and cover. Measuring range: 0-2000 mm.

| Type  | Part number | Connections | Q.ty/Box | Box/Car- ton | €/unit |
|-------|-------------|-------------|----------|--------------|--------|
| MECAH | 0103200     | 1.1/2"      | 1        | 20           |        |

Dimensions on page 391



**RDA**

Double angle fitting for tanks, complete with kit of fittings for connection to Ø 6x8, 8x10 and 10x12 mm pipes. CW617N brass body. 1" M tank connection. 3/8" F suction and return connection.

| Type | Part number | Connections   | Q.ty/Box | Box/ Carton | €/unit |
|------|-------------|---------------|----------|-------------|--------|
| RDA  | 0120120     | 1" M x 3/8" F | 1        | 20          |        |


**VRU**

Check valve for diesel lines, complete with kit of fittings for connection to Ø 6x8, 8x10 and 10x12 mm pipes. CW617N brass body. Pressure drop at 50 l/h: 11 mbar. Pressure drop at 100 l/h: 18 mbar.

| Type | Part number | Connections | Q.ty/Box | Box/ Carton | €/unit |
|------|-------------|-------------|----------|-------------|--------|
| VRU  | 0120140     | 3/8" F      | 1        | 50          |        |


**VFU**

Foot valve for diesel tanks, complete with kit of fittings for connection to Ø 6x8, 8x10 and 10x12 mm pipes. CW617N brass body. Plastic bottom spacer.

| Type | Part number | Connections | Q.ty/Box | Box/ Carton | €/unit |
|------|-------------|-------------|----------|-------------|--------|
| VFU  | 0120160     | 3/8" F      | 1        | 50          |        |


**PICK-UP ASSEMBLIES**
**MB - MULTIBLOC**

Multi-function pick-up unit with counterweight for connection between fuel tank and burner. Combines 5 functions: burner suction and return, check valve, quick shut-off lever and connection for TELEVAR remote level indicator, complete with kit of fittings. CW617N brass body. Perbunan pick-up pipes. 1" M tank connection. 3/8" F suction and return connections. TELEVAR indicator, Ø 4x6 mm pipe.

| Type | Part number | Connections - Length  | Q.ty/Box | Box/Car- ton | €/unit |
|------|-------------|-----------------------|----------|--------------|--------|
| MB   | 0108100     | 1" M x 3/8" F - 220cm | 1        | 25           |        |
| MB   | 0108500     | 1" M x 3/8" F - 320cm | 1        | 10           |        |

Dimensions on page 391


**MKF200**

Multi-function pick-up unit, as per MB but with overlapping 3/8" M connections and metal bushes for Ø 8x10 mm pipe. The body is fitted with an additional 3/8" M connection for suction from a second bank-mounted tank. The return pipe from the burner is routed all the way to the bottom of the tank.

| Type   | Part number | Connections - Length | Q.ty/Box | Box/Car- ton | €/unit |
|--------|-------------|----------------------|----------|--------------|--------|
| MKF200 | 0115110     | 1" - 200 cm          | 1        | 10           |        |

Dimensions on page 391





**TECAL**

PVC-clad aluminium pipe. Mainly for use as a connection line between the fuel tank (diesel) and burner. The cladding serves to protect the pipe against chemicals and humidity from the outdoor environment. Leak tested at 30 bar (before cladding with PVC). PVC cladding (0.75 mm thick).

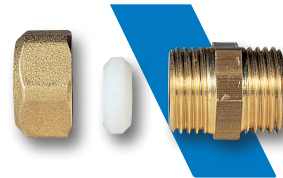


| Type  | Part number | Connections - Length                     | Q.ty/Box | Box/Carton | €/unit |
|-------|-------------|--|----------|------------|--------|
| TECAL | 0701210     | internal Ø 8 - external Ø 10 - 50m roll  | 50 m     |            |        |
| TECAL | 0701212     | internal Ø 10 - external Ø 12 - 50m roll | 50 m     |            |        |

**FITTINGS**

**DM**

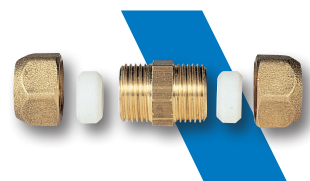
Straight male connector, double taper. Complete with cap and double taper teflon ferrule. CW614N brass body and cap. Maximum pressure: 10 bar. Max. temperature: 110°C.



| Type | Part number | Connections | Q.ty/Box | Box/Car-ton | €/unit |
|------|-------------|-------------|----------|-------------|--------|
| DM   | 0702210     | 3/8" x 10   | 10       | 10          |        |
| DM   | 0702212     | 3/8" x 12   | 10       | 10          |        |
| DM   | 0702310     | 1/2" x 10   | 10       | 10          |        |
| DM   | 0702312     | 1/2" x 12   | 10       | 10          |        |

**DI**

Straight bulkhead fitting, double taper-double taper. Complete with 2 caps and 2 teflon ferrules. Specifications as per DM Series fitting.



| Type | Part number | Connections | Q.ty/Box | Box/Car-ton | €/unit |
|------|-------------|-------------|----------|-------------|--------|
| DI   | 0703010     | 10 x 10     | 10       | 10          |        |
| DI   | 0703012     | 12 x 12     | 10       | 10          |        |

**DF**

Straight female connector, double taper. Complete with cap and teflon ferrule. Specifications as per DM Series fitting.



| Type | Part number | Connections | Q.ty/Box | Box/Car-ton | €/unit |
|------|-------------|-------------|----------|-------------|--------|
| DF   | 0704210     | 3/8" x 10   | 10       | 10          |        |
| DF   | 0704212     | 3/8" x 12   | 10       | 10          |        |
| DF   | 0704310     | 1/2" x 10   | 10       | 10          |        |
| DF   | 0704312     | 1/2" x 12   | 10       | 10          |        |

**DIESEL SAFETY**
**SIC10 - SICUREX**

Diaphragm valve for automatic diesel shut-off in burner fuel lines. Replaces solenoid valve M10 M15. Die-cast aluminium body. 3/8" F connections and bushes for Ø 6x8, 8x10 and 10x12mm mm pipes. Opening negative pressure: 50 mbar.

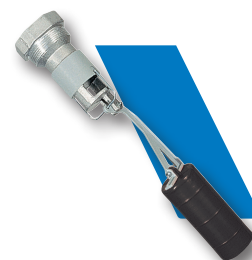
| Type  | Part number | Connections | Q.ty/Box | Box/Car-ton | €/unit |
|-------|-------------|-------------|----------|-------------|--------|
| SIC10 | 0150110     | 3/8"        | 1        | 20          |        |

Dimensions on page 391


**SW90N**

Load limiting valve for diesel tanks. Die-cast aluminium body. Oil-resistant plastic float switch. 2" M bottom connection and 2" F top connection.

| Type  | Part number | Connections | Q.ty/Box | Box/Car-ton | €/unit |
|-------|-------------|-------------|----------|-------------|--------|
| SW90N | 0152150     | 2" MF       | 1        | 1           |        |


**LACPT**

Fire-safety lever for cable-operation of Multibloc and RIS shut-off valves. Complete with transparent protective cover. Base plate and red lever made of special plastic. Complete with 10m of PVC-clad flexible steel cable, 3 intermediate slots and 3 cable clamps for connection of ends. The lever must be located outside the boiler room.

| Type  | Part number | Q.ty/Box | Box/Car-ton | €/unit |
|-------|-------------|----------|-------------|--------|
| LACPT | 0153130     | 1        | 1           |        |

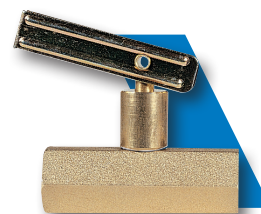
Dimensions on page 391


**RIS**

Diesel shut-off valve with pull-out lever remotely controlled by LACPT Series cable and fire-safety lever, complete with kit of fittings for Ø 6x8, 8x10 and 10x12mm pipes. CW brass body.

| Type | Part number | Connections | Q.ty/Box | Box/Car-ton | €/unit |
|------|-------------|-------------|----------|-------------|--------|
| RIS  | 0120100     | 3/8" F      | 1        | 1           |        |

Dimensions on page 391


**CL50**

PVC-clad, flexible, steel-braid cable for operating shut-off devices by means of a fire-safety lever. Sold in 50m rolls with 10 cable clamps.

| Type | Part number | Description    | Q.ty/Box      | Box/Car-ton | €/unit |
|------|-------------|----------------|---------------|-------------|--------|
| CL50 | 0154050     | cable Ø 1.87mm | 1 (50 metres) |             |        |


**TCS**

Tank filler cap with slots for padlock and chain. Tropicalised zamak body and cover. 2" F connection to tank. 2.1/2" M connection for filler pipe.

| Type | Part number | Connections     | Q.ty/Box | Box/Car-ton | €/unit |
|------|-------------|-----------------|----------|-------------|--------|
| TCS  | 0155100     | 2" F x 2.1/2" M | 1        | 90          |        |



**CTS**

Cap for tank vent pipe, without thread, with fixed spacers for adaptation to press-fit pipes, with fastening screws. High-impact plastic body, metal mesh.

| Type | Part number | Connections | Q.ty/Box | Box/Carton | €/unit |
|------|-------------|-------------|----------|------------|--------|
| CTS  | 0160125     | 1" - 1.1/4" | 10       | 10         |        |
| CTS  | 0160140     | 1.1/2" - 2" | 10       | 10         |        |



**LEAK DETECTOR SYSTEMS**

**LAG 14 ER**

Leak detector system for double-skin tanks designed for flammable liquid storage, consisting of electronic control unit with visual (LED) and acoustic alarm indicator and additional output contact, anti-static tank for leak detector fluid that can be installed in hazard zones and intrinsic safety probe. Power supply 230 V, 50 Hz.

Maximum probe connection distance 50m with shielded cable. Suitable for in-ground tanks with a capacity of up to approximately 60,000 litres and for above-ground tanks with a capacity of up to approximately 20,000 litres.

To fit the detector system, use the complete set of LAGMS Series accessories.

**Compliant with Directives LVD 2014/35/EU - EMC 2014/30/EU - ATEX 2014/34/EU. ATEX classification: G EEx ia IIC / EEx ia IIB.**



| Type      | Part number | Description           | Q.ty/Box | Box/Carton | €/unit |
|-----------|-------------|-----------------------|----------|------------|--------|
| LAG 14 ER | 0190150     | Complete control unit | 1        | 1          |        |
| BA14      | 0191006     | Additional tank       | 1        | 1          |        |

Dimensions on page 391

**LAGMS**

Complete set of accessories for fitting the LAG 14 ER Series leak detector system on double-skin tanks, consisting of threaded nipple (1") for connection to tank, complete with EPDM pipe, fittings for connection with the leak detector fluid tank, threaded nipple (1") with test and bleed valve.

| Type  | Part number | Connections | Q.ty/Box | Box/Carton | €/unit |
|-------|-------------|-------------|----------|------------|--------|
| LAGMS | 0196150     | -           | 1        | 1          |        |



**TECHNICAL NOTE - Leak detector operation**

The LAG 14 ER Series leak detector monitors the intermediate chamber (control chamber) of the tank, filled with detector fluid, and detects any leakage onto the inner or outer skin. The device consists of an indicator device (electronic control unit) capable of triggering a visual and acoustic alarm, and an indicator fluid tank with transducer (probe) connected to the tank's control chamber by a pipe.

Must be used exclusively with the same type of fluid as stored in the control chamber of the main tank. The fluid must be BAM-certified.

Examples of suitable BAM certified fluids:

- Glyco Shell 1 (Deutsche Shell AG - Hamburg - D)
- Antifrogen N (Hoechst AG - Gendorf - D)
- Glymin NF (BASF Ludwigshafen - D)
- Ilexan (Hüls AG - Marl - D)

and other equivalent fluids with minimum electrical conductivity of 0.05 µS/cm.

**NOZZLES****NOZZLES**

Burner nozzles, individually packaged in boxes of 12. Diesel and fuel oil.

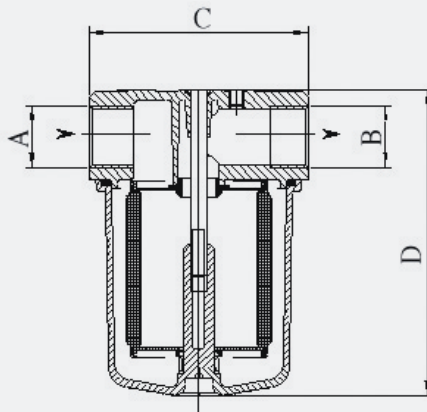
**EN 293 compliant.**



| Type | Cone                                     | Flow rate                       | Q.ty/Box | Box/Car-<br>ton | €/unit |
|------|--|---------------------------------|----------|-----------------|--------|
| R    | Solid cone 45° -<br>60° - 80°            | Flow rate 0.40 gph to 0.65 gph  | 12       | 1               |        |
| R    | Solid cone 45° -<br>60° - 80°            | Flow rate 0.70 gph to 3.50 gph  | 12       | 1               |        |
| NS   | Hollow cone 45°<br>- 60° - 80°           | Flow rate 0.50 gph to 0.65 gph  | 12       | 1               |        |
| NS   | Hollow cone 45°<br>- 60° - 80°           | Flow rate 0.70 gph to 2.00 gph  | 12       | 1               |        |
| AR   | Special solid<br>cone 45° - 60°<br>- 80° | Flow rate 0.50 gph to 0.65 gph  | 12       | 1               |        |
| AR   | Special solid<br>cone 45° - 60°<br>- 80° | Flow rate 0.70 gph to 3.50 gph  | 12       | 1               |        |
| PLP  | Semi-solid cone<br>45° - 60° - 80°       | Flow rate 2.25 gph to 50.00 gph | 12       | 1               |        |
| PL   | Hollow cone 45°<br>- 60° - 80°           | Flow rate 2.25 gph to 50.00 gph | 12       | 1               |        |

OVERALL DIMENSIONS

70450A - 70450P



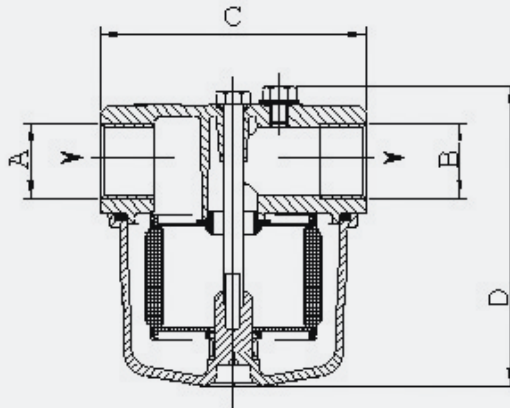
Note:  
measurement "D" in the table is divided  
for versions with aluminium bowl (Al.) and  
versions with transparent bowl (Pl.).

| Item    | Dimensions |         |    |     |     |   | Filtration rating | Filtration area cm <sup>2</sup> |    |    |
|---------|------------|---------|----|-----|-----|---|-------------------|---------------------------------|----|----|
|         | A          | B       | C  | D   | D   | E |                   | P                               | G  | L  |
|         |            |         |    | Al. | Pl. |   |                   |                                 |    |    |
| 70451 * | Rp 3/8"    | Rp 3/8" | 61 | 75  | 75  | - | 15 ***            |                                 |    |    |
| 70452 * | Rp 1/4"    | Rp 1/4" | 61 | 75  | 75  | - | 60 - 100          | 190                             | 50 | 28 |

\* These models are available with transparent bowl  
\*\* Standard filtration rating (other ratings available to order)  
P - \*\*\*: paper filter

G: pleated steel cartridge  
L: smooth steel cartridge

70300A - 70300P



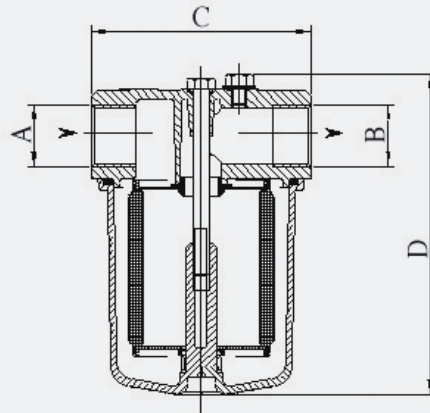
Note:  
measurement "D" in the table is divided  
for versions with aluminium bowl (Al.) and  
versions with transparent bowl (Pl.).

| Item    | Dimensions |         |    |     |     |   | Filtration rating | Filtration area cm <sup>2</sup> |    |   |
|---------|------------|---------|----|-----|-----|---|-------------------|---------------------------------|----|---|
|         | A          | B       | C  | D   | D   | E |                   | P                               | G  | L |
|         |            |         |    | Al. | Pl. |   |                   |                                 |    |   |
| 70301 * | Rp 3/8"    | Rp 3/8" | 81 | 85  | 89  | - | 15 ***            |                                 |    |   |
| 70302 * | Rp 1/2"    | Rp 1/2" | 81 | 85  | 89  | - | 60 - 100          | 360                             | 85 | - |
| 70303 * | Rp 1/4"    | Rp 1/4" | 81 | 85  | 89  | - |                   |                                 |    |   |

\* These models are available with transparent bowl  
\*\* Standard filtration rating (other ratings available to order)  
P - \*\*\*: paper filter  
G: pleated steel cartridge

**OVERALL DIMENSIONS**

**70310A - 70310P**

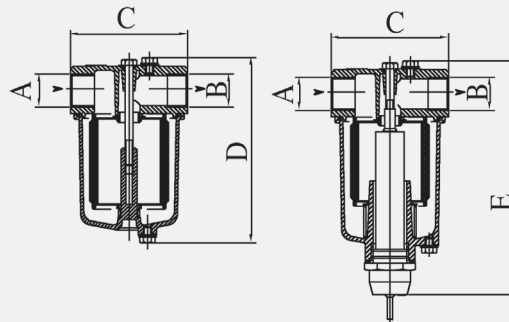


Note:  
measurement "D" in the table is divided  
for versions with aluminium bowl (Al.)  
and versions with transparent bowl (Pl.).

| Item    | Dimensions |         |    |       |       |   | Filtration rating        | Filtration area cm <sup>2</sup> |     |   |
|---------|------------|---------|----|-------|-------|---|--------------------------|---------------------------------|-----|---|
|         | A          | B       | C  | D Al. | D Pl. | E |                          | Microns **                      | P   | G |
| 70311 * | Rp 3/8"    | Rp 3/8" | 81 | 117   | 140   | - | 15 ***<br>60 - 100 - 300 | 750                             | 185 | - |
| 70312 * | Rp 1/2"    | Rp 1/2" | 81 | 117   | 140   | - |                          |                                 |     |   |
| 70313 * | Rp 1/4"    | Rp 1/4" | 81 | 117   | 140   | - |                          |                                 |     |   |

\* These models are available with transparent bowl  
\*\* Standard filtration rating (other ratings available to order)  
P - \*\*\*: paper filter  
G: pleated steel cartridge

**70100 - 70150**

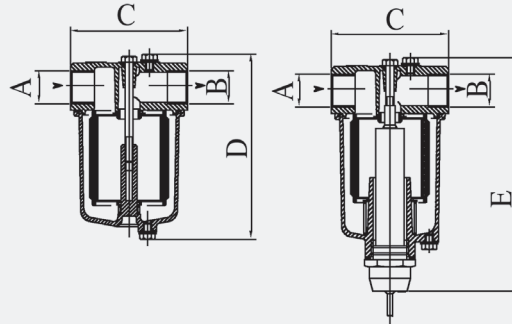


| Item        | Dimensions |         |     |       |       |     | Filtration rating | Filtration area cm <sup>2</sup> |     |   |
|-------------|------------|---------|-----|-------|-------|-----|-------------------|---------------------------------|-----|---|
|             | A          | B       | C   | D Al. | D Pl. | E   |                   | Microns **                      | P   | G |
| 70101       | Rp 1"      | Rp 1"   | 120 | 175   | N/A   | -   | 60<br>100 - 300   | -                               | 330 | - |
| 70104       | Rp 3/4"    | Rp 3/4" | 120 | 175   | N/A   | -   |                   |                                 |     |   |
| 70107       | Rp 1/2"    | Rp 1/2" | 120 | 175   | N/A   | -   |                   |                                 |     |   |
| 70151 NL/GL | Rp 1"      | Rp 1"   | 120 | -     | N/A   | 235 |                   |                                 |     |   |
| 70154 NL/GL | Rp 3/4"    | Rp 3/4" | 120 | -     | N/A   | 235 |                   |                                 |     |   |
| 70157 NL/GL | Rp 1/2"    | Rp 1/2" | 120 | -     | N/A   | 235 |                   |                                 |     |   |
| 70151 M     | Rp 1"      | Rp 1"   | 120 | -     | N/A   | 205 |                   |                                 |     |   |
| 70154 M     | Rp 3/4"    | Rp 3/4" | 120 | -     | N/A   | 205 |                   |                                 |     |   |
| 70157 M     | Rp 1/2"    | Rp 1/2" | 120 | -     | N/A   | 205 |                   |                                 |     |   |

\*\* Standard filtration rating (other ratings available to order)  
P - \*\*\*: paper filter  
G: pleated steel cartridge

OVERALL DIMENSIONS

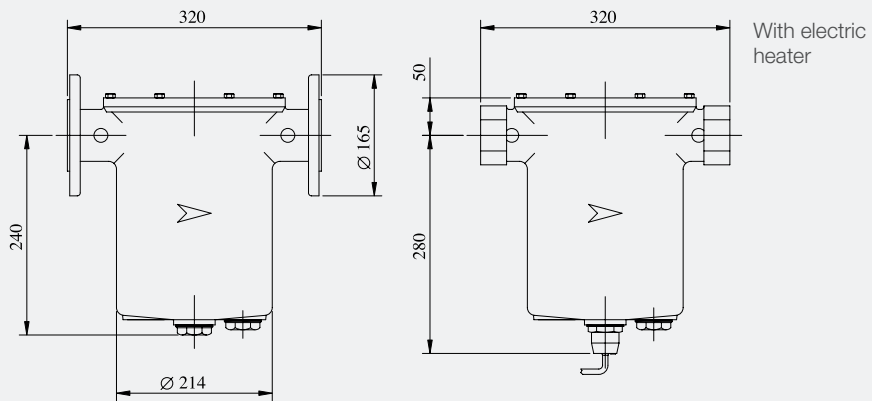
70500



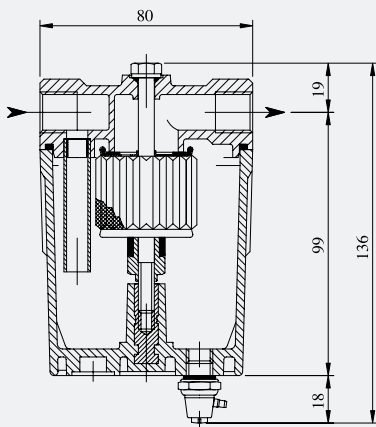
| Item                  | Dimensions |           |     |       |       |     | Filtration rating |   | Filtration area cm <sup>2</sup> |   |  |
|-----------------------|------------|-----------|-----|-------|-------|-----|-------------------|---|---------------------------------|---|--|
|                       | A          | B         | C   | D Al. | D Pl. | E   | Microns **        | P | G                               | L |  |
| 70501                 | Rp 1"      | Rp 1"     | 190 | 255   | N/A   | -   | 60<br>100 - 300   | - | 820                             | - |  |
| 70502                 | Rp 1.1/4"  | Rp 1.1/4" | 190 | 255   | N/A   | -   |                   |   |                                 |   |  |
| 70503                 | Rp 1.1/2"  | Rp 1.1/2" | 190 | 255   | N/A   | -   |                   |   |                                 |   |  |
| 70504                 | Rp 2"      | Rp 2"     | 182 | 275   | N/A   | -   |                   |   |                                 |   |  |
| 70501 NL/GL/M/NLM/GLM | Rp 1"      | Rp 1"     | 190 | -     | N/A   | 300 |                   |   |                                 |   |  |
| 70502 NL/GL/M/NLM/GLM | Rp 1.1/4"  | Rp 1.1/4" | 190 | -     | N/A   | 300 |                   |   |                                 |   |  |
| 70503 NL/GL/M/NLM/GLM | Rp 1.1/2"  | Rp 1.1/2" | 190 | -     | N/A   | 300 |                   |   |                                 |   |  |
| 70504 NL/GL/M/NLM/GLM | Rp 2"      | Rp 2"     | 182 | -     | N/A   | 220 |                   |   |                                 |   |  |

\*\* Standard filtration rating (other ratings available to order).  
G: pleated steel cartridge.

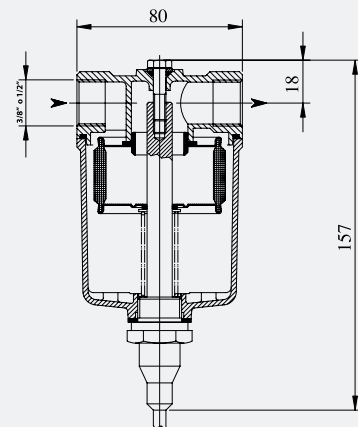
70700F



70370



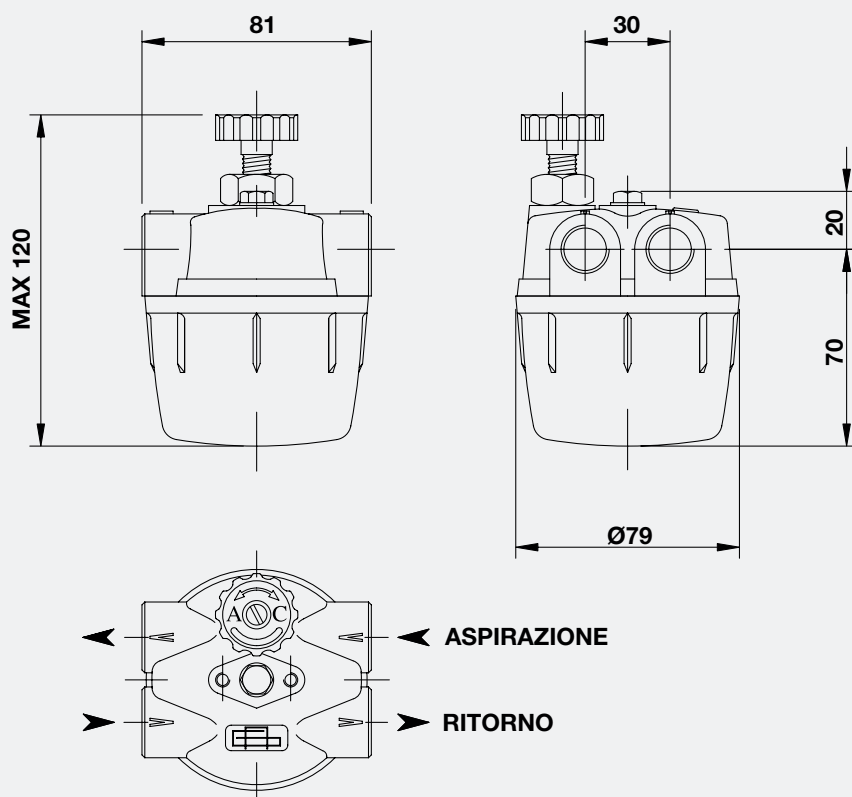
70370RE



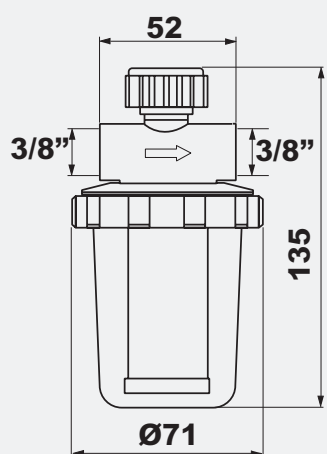


**OVERALL DIMENSIONS**

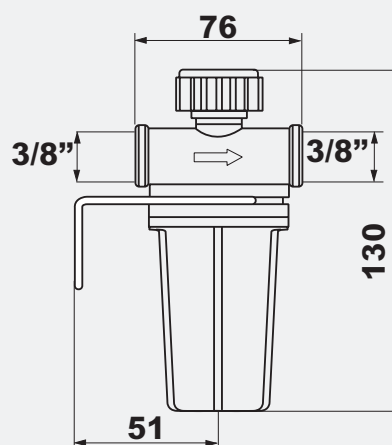
**70350**



**RG2**

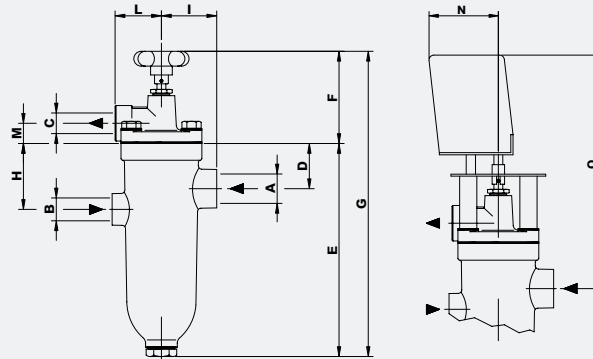


**RV2/RV1/RZ**



OVERALL DIMENSIONS

21000 - 31000



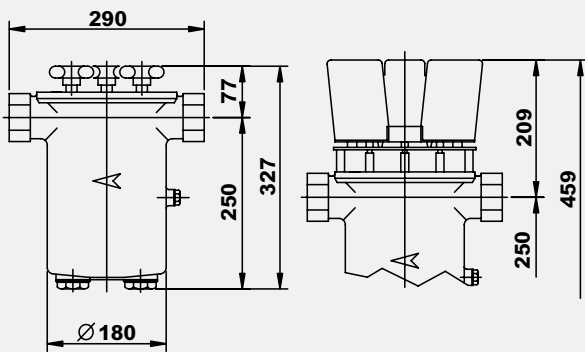
CONNECTIONS

- A - inlet
- B - return
- C - outlet

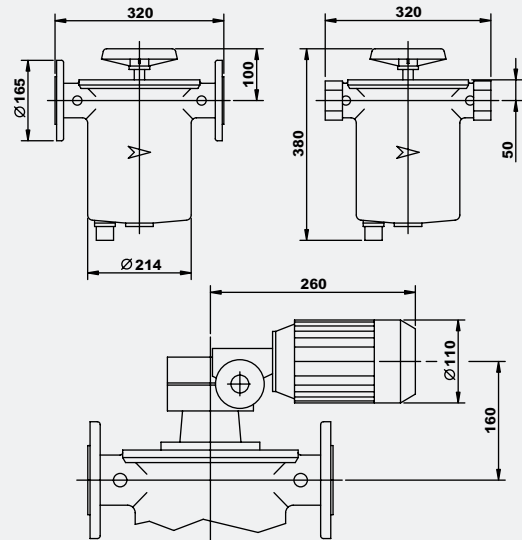
With electric motor.

| Tipo  | A       | B       | C       | D  | E   | F  | G   | H  | I  | L  | M  | N  | O   |
|-------|---------|---------|---------|----|-----|----|-----|----|----|----|----|----|-----|
| 21003 | Rp 1"   | Rp 1/2" | Rp 1"   |    |     |    |     |    |    |    |    |    |     |
| 21005 | Rp 1/2" | -       | Rp 1/2" | 28 | 185 | 92 | 277 | 46 | 55 | 60 | 24 | 85 | 255 |
| 21008 | Rp 1"   | -       | Rp 1"   |    |     |    |     |    |    |    |    |    |     |
| 31003 | Rp 1"   | Rp 1/2" | Rp 1"   | 28 | 273 | 92 | 365 | 46 | 55 | 60 | 24 | 85 | 255 |
| 31008 | Rp 1"   | -       | Rp 1"   |    |     |    |     |    |    |    |    |    |     |

41000

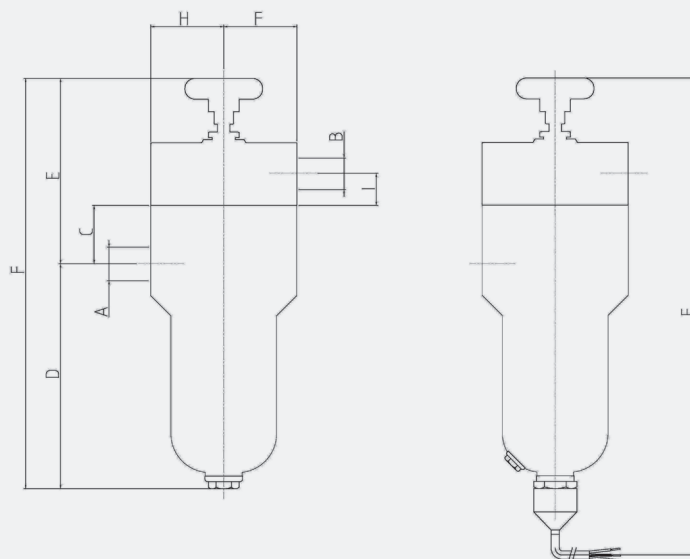


51000



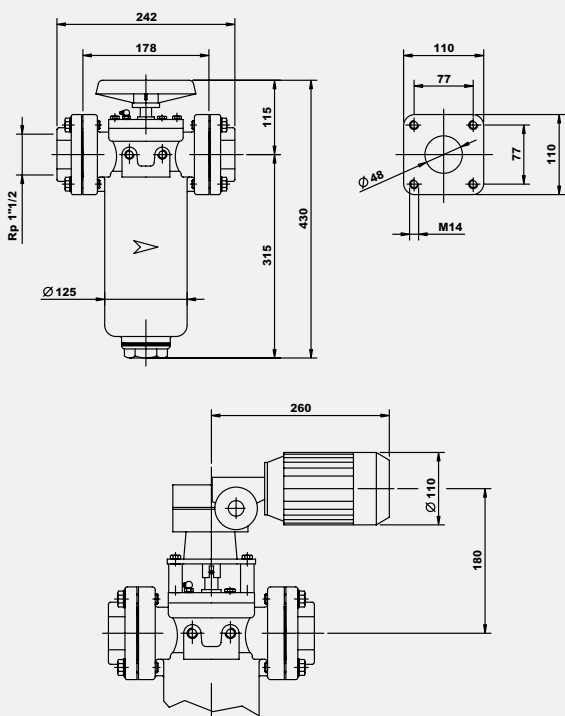
**OVERALL DIMENSIONS**

**21000FE - 31000FE**

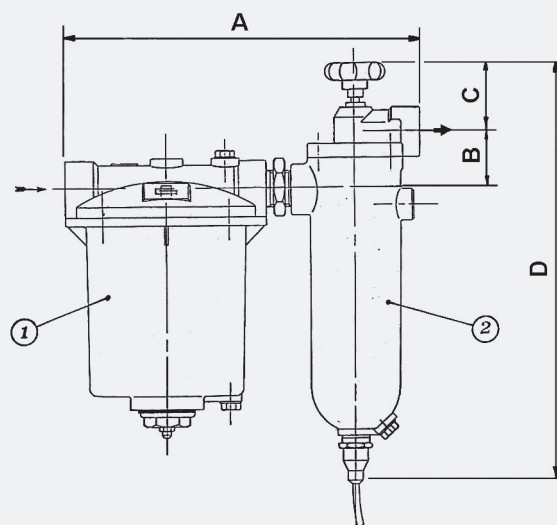


| Tipo      | A       | B       | C  | D   | E  | F   | G  | H  | I  |
|-----------|---------|---------|----|-----|----|-----|----|----|----|
| 21005FE   | Rp 1/2" | Rp 1/2" | 35 | 206 | 87 | 293 | 53 | 65 | 17 |
| 21008FE   | Rp 1"   | Rp 1"   | 35 | 206 | 87 | 293 | 53 | 74 | 17 |
| 31008FE   | Rp 1"   | Rp 1"   | 42 | 290 | 92 | 381 | 53 | 74 | 23 |
| 21005FERE | Rp 1/2" | Rp 1/2" | 35 | 266 | 87 | 353 | 53 | 74 | 17 |
| 21008FERE | Rp 1"   | Rp 1"   | 35 | 266 | 87 | 353 | 53 | 74 | 17 |
| 31008FERE | Rp 1"   | Rp 1"   | 42 | 350 | 92 | 441 | 53 | 74 | 23 |

**45000**



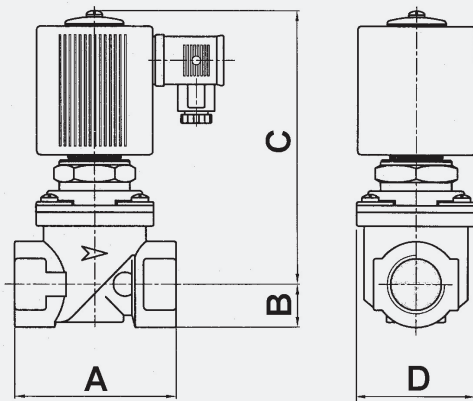
**FOEX**



| Tipo    | A   | B  | C  | D   |
|---------|-----|----|----|-----|
| FOEX25  | 340 | 52 | 68 | 395 |
| FOEX40  | 506 | -  | -  | 353 |
| FOEX50F | 642 | -  | -  | 378 |

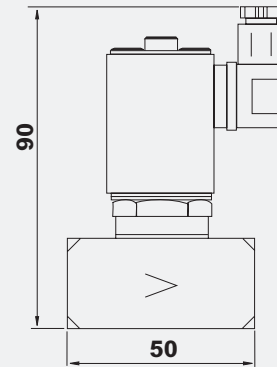
OVERALL DIMENSIONS

SVG

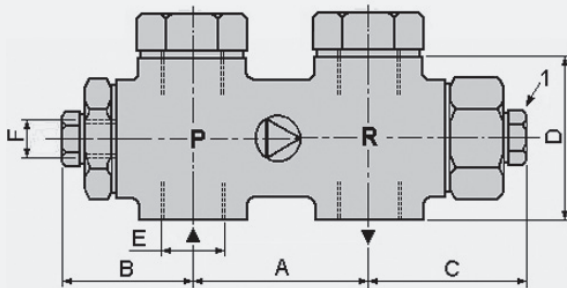


| Tipo | Rp 3/4" | Rp 1" | Rp 1.1/4" | Rp 1.1/2" | Rp 2" |
|------|---------|-------|-----------|-----------|-------|
| Mod. | SV20    | SV25  | SV32      | SV40      | SV50  |
| A    | 96      | 96    | 154       | 154       | 173   |
| B    | 25      | 25    | 31        | 31        | 39    |
| C    | 160     | 160   | 188       | 188       | 191   |
| D    | 70      | 70    | 105       | 105       | 127   |

M10 M15



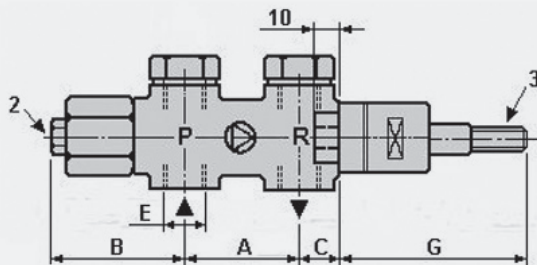
PRO - PROH



F: pressure gauge connection

Mod. PRO

To adjust the pressure, turn the screw under cap 1. Turn clockwise to increase the pressure and anticlockwise to reduce it.

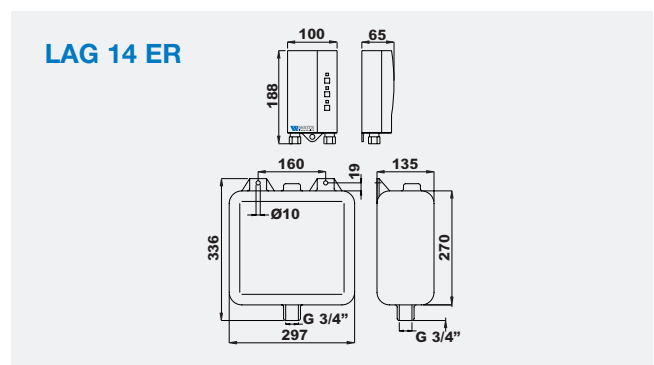
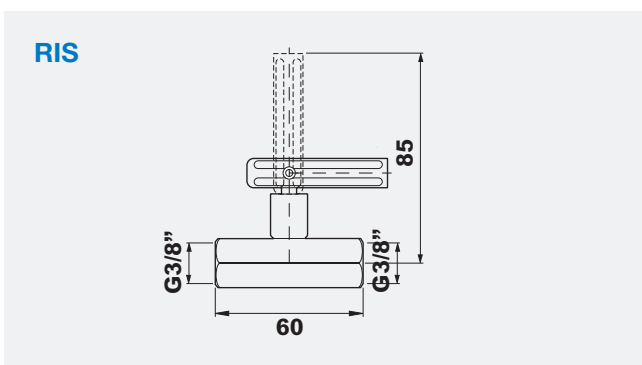
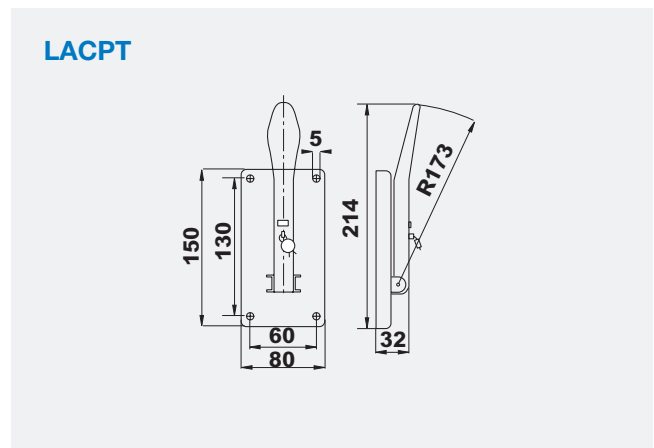
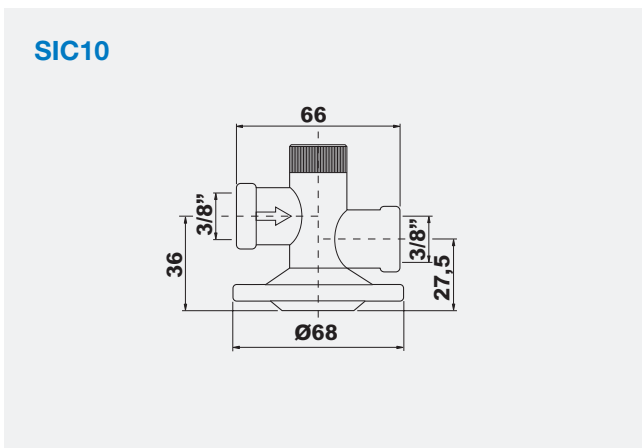
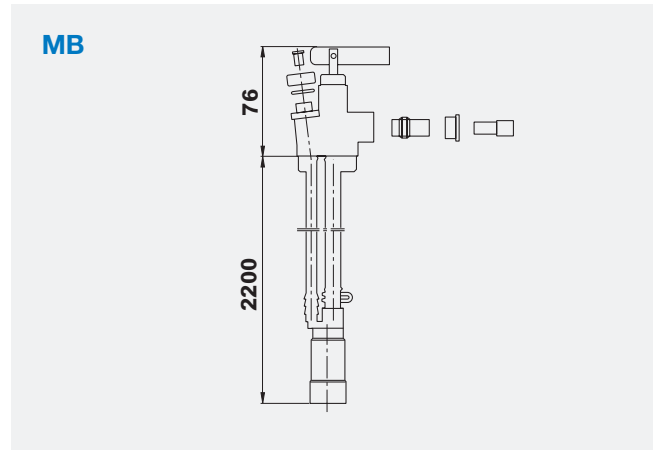
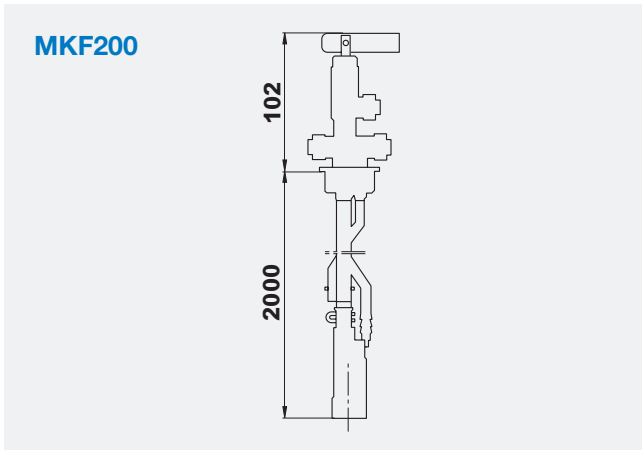
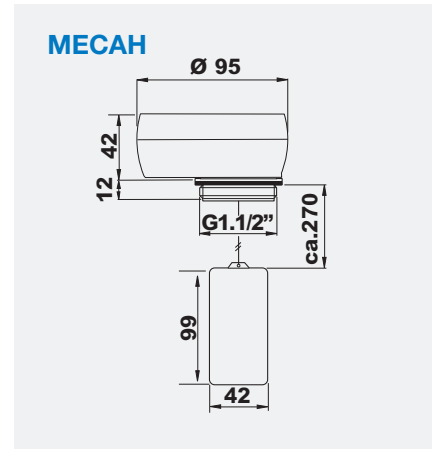
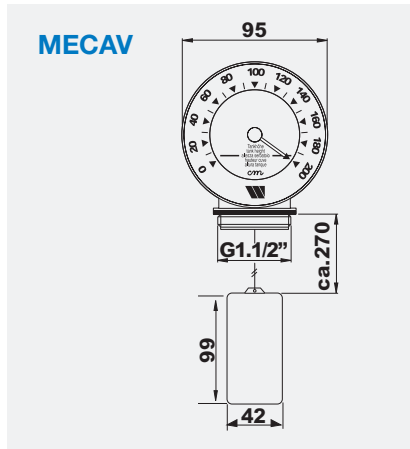
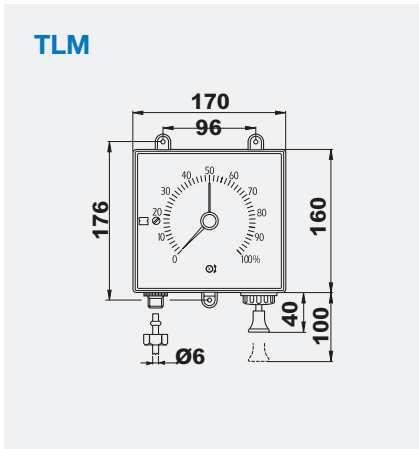


Mod. PROH

To adjust the minimum, turn the screw under cap 2. Modulation: stroke 8 - 9 mm (3).

| Tipo   | Portata max | A  | B  | C  | D  | E        | F      | G  |
|--------|-------------|----|----|----|----|----------|--------|----|
| PRO10  | 600         | 55 | 46 | 55 | 52 | G 3/8"   | G 1/4" | -  |
| PRO20  | 2000        | 63 | 50 | 60 | 73 | G 3/4"   | G 1/4" | -  |
| PRO25  | 6000        | 80 | 48 | 58 | 86 | G 1"     | G 1/4" | -  |
| PRO32  | 10000       | 80 | 48 | 58 | 86 | G 1 1/4" | G 1/4" | -  |
| PROH10 | 1000        | 55 | 71 | 16 | 52 | G 3/8"   | -      | 85 |
| PROH20 | 2500        | 69 | 74 | 43 | 73 | G 3/4"   | -      | 85 |

**OVERALL DIMENSIONS**





# Innovative Water Solutions



Heating and air conditioning  
Drainage systems and pipes  
Water distribution systems  
Domestic water systems



